

LED SOLAR WALL LIGHT

GB IE NI

LED SOLAR WALL LIGHT

Operating and safety information

DK

LED-VÆGLAMPE MED SOLCELLER

Benjnings- og sikkerhedsanvisninger

FR BE

APPLIQUE MURALE SOLAIRE À LED

Instruccji d'utilisatiòn e consignes de sécurité

NL BE

LED-SOLAR-WANDLAMP

Gebriuks- en veiligheidsaanwijzingen

DE AT CH

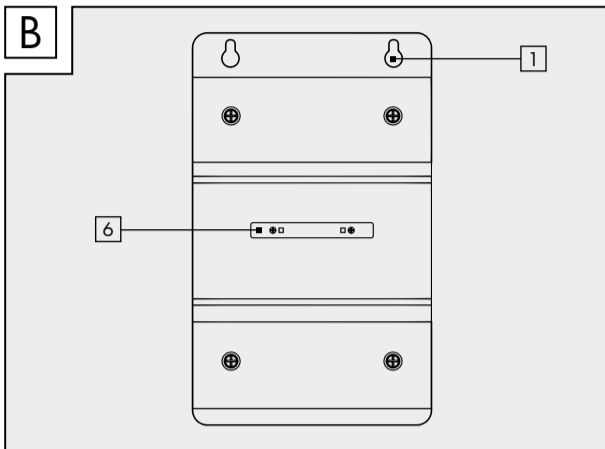
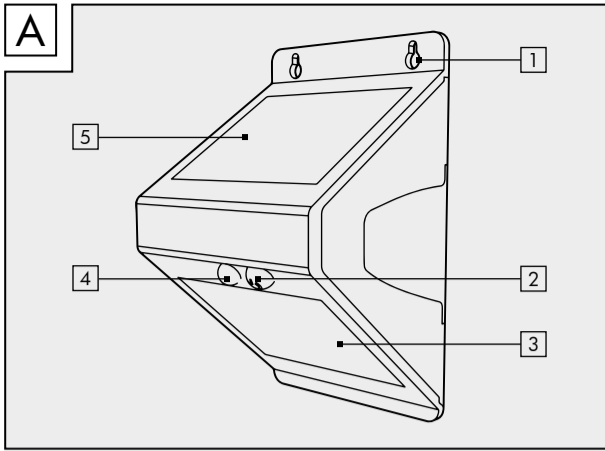
LED-SOLAR-WANDEUCHTE

Bedienungs- und Sicherheitshinweise

IAN 354757_2010

IE NI

DK BE NL



LED Solar Wall Light

●Introduction

i Congratulations on the purchase of your new device. You have chosen a high-quality product. Please read these operating instructions thoroughly and carefully. This manual belongs to this product and contains important information concerning setup and operation. Always observe all safety instructions. If you have any questions or are unsure how to operate the device, please contact your dealer or service center. Please keep this manual in a safe place and pass it on to third parties where necessary.

●Legend of the symbols used

i Read the operating instructions!

— Direct current

Observe warning and safety instructions!

Danger of death and accidents for infants and children!

Explosion hazard!

Wear protective gloves!

Dispose of packaging and equipment in an environmentally friendly manner!

Environmental damage caused by incorrect battery disposal!

(Protection class III) This symbol means that the product operates with safely extra-low voltage (SELV / PELV).

Not suitable as indoor lighting

Detection range approx. 2.5 m

Detection angle motion sensor: approx. 90°

Integrated Li-ion battery

IP65 Dust tight and jet water protected

Packaging made of FSC-certified wood mix

With the CE label, the manufacturer confirms that this electrical device complies with the applicable European guidelines.

●Intended use

This is a special product because it can be operated at temperatures below -21°C and fulfills its function. The solar light LED with motion detector is intended for automatic outdoor lighting (e.g. garden, terrace, etc.). The light must not be installed indoors, as the battery cannot be charged. The light is not

suitable for room lighting in the household. The device is intended for private use only.

●Scope of delivery

1x LED solar light with motion detector
1x assembly material
1x assembly and operating manual

●Description of parts

- Mounting holes
- ON/OFF switch
- LED spotlight
- Motion detector
- Solar cel
- LEDs for accent lighting

●Technical specifications

Solar cell:	Monocrystalline, 0,8 W
Li-ion battery:	3,7 V — , 1200 mAh
Light source:	2 x (accent lighting) 8 x (front lighting)
Rated input:	3 W
Motion detector:	Range: max. 5 m Angle of detection: approx. 90° The burn time is approx. 12.5 hours (accent lighting only).Spotlight (8 LEDs) lights for 15 seconds after detecting motion. The burn time is 1 hour if all LEDs are lit.
Burn time:	
Protection level:	IP65 (weatherproof and splash-proof)
Dimensions:	approx. W 9,5 cm x H 15,7 cm x D 7,8 cm

Luminous flux (accent lighting):	approx. 6 lm
Luminous flux (with triggered motion detector):	approx. 200 lm
Recommended installation height:	2–4 m
Model number:	718-SL

Safety information

▲ WARNING!
DANGER OF DEATH AND ACCIDENTS FOR INFANTS AND CHILDREN! Never leave children unsupervised with the packaging material. There is a danger of suffocation from the packaging material. Children often underestimate the dangers. Always keep children away from the product.
■ DANGER OF DEATH! Keep children away from the work area during assembly. Delivery includes a number of screws and other small parts. These can be fatal if they are swallowed or inhaled.
■ This product can be used by children aged 8 years and over, as well as by persons with limited physical, sensory or mental abilities or lacking in experience and knowledge if they have been supervised and instructed as to the safe use of the product and understand the resulting hazards. Do not let children play with the product. Cleaning and maintenance may not be carried out by children without proper supervision.
■ Do not use the product if you notice any defects.
■ Once the lamp has reached its end of life, it must be disposed of in accordance with local disposal regulations. The LEDs are replaceable.
▲

Safety Instructions for Batteries/

GB/IE/NI

GB/IE/NI

GB/IE/NI

GB/IE/NI

GB/IE/NI

DK

DK

DK

DK

DK

DK

DK

DK

DK

DK

DK

DK

DK

DK

DK

DK

DK

DK

DK

DK

DK

DK

DK

DK

DK

DK

DK

DK

DK

DK

DK

DK

DK

DK

DK

DK

DK

DK

DK

DK

DK

DK

DK

DK

DK

DK

DK

DK

DK

DK

DK

Rechargeable Batteries

■ DANGER OF DEATH! Keep all batteries out of reach of children. If swallowed, seek medical advice immediately.
■ PLEASE NOTE! The battery is non-replaceable. When it is worn out, the entire light must be replaced.
▲
■ EXPLOSION HAZARD! Never recharge non-rechargeable batteries. Do not short-circuit and/or open batteries / rechargeable batteries. They could overheat, cause a fire or explode.
■ Never throw the batteries into fire or water.
■ Do not expose the batteries to mechanical stress.
■ Do not disassemble or modify batteries / rechargeable batteries.
■ Do not short-circuit batteries / rechargeable batteries.
■ Do not expose batteries / rechargeable batteries to high temperatures.

●Risk of batteries leaking

■ Avoid exposing the batteries to extreme conditions and temperatures, e.g. radiators or direct sunlight.
■ Avoid contact with skin, eyes and mucous membranes! In the event of skin contact with battery acid, rinse the affected area immediately with plenty of clean water and seek medical advice immediately!

■ WEAR PROTECTIVE GLOVES! Leaking or damaged batteries can cause chemical burns if they come into contact with the skin. Therefore, wear suitable protective gloves in such cases.
■ In the event that a battery leaks, remove it from the product immediately to avoid damage.

●Mounting

Please note: Dispose of all packaging material. Decide prior to mounting where the product is to be mounted.
▲ Ensure that you will not come into contact with electricity, gas

or water pipes when drilling into the wall. Use a drill to drill the holes into the masonry. Observe all safety instructions provided in the operation and safety manual for your drill. Otherwise there is a risk of death or injury from electric shock.

When deciding where to mount the light, pay attention to the following:
■ Ensure the product illuminates the desired area.
■ Ensure the motion sensor [4] covers the desired area. The motion sensor [4] has a detection area of max. 5 m and a detection angle of approx. 90° (see fig. A).
■ Ensure that the motion sensor [4] is not illuminated by street lighting at night. This may impair the function (see fig. A).
■ The solar cell [5] requires direct sunlight. Even partial shade during the day can significantly impair the charging process of the solar cell [5] (see fig. A).
■ The recommended mounting height is 2 to 4 m. Use the mounting hole [1] to mark the position of the drill hole (see fig. A and B).
■ Drill the holes (ø 6 mm).
■ Screw one of the supplied raw/plugs and screws into each drilled hole. Leave a small gap between the screw head and wall.
■ Now fix the product by placing it on the screws using the mounting holes [1] (see fig. A and B).
■ Align the product and screw the screw in the mounting holes [1] (see fig. A and B).

●Operation

The solar cell transforms the sun's rays into electrical energy, which it stores in the built-in battery. When the battery is fully charged, the burn time is approx. 12.5 hours for accent lighting. The battery must be charged prior to the first time it is used (see chapter

GB/IE/NI

GB/IE/NI

GB/IE/NI

GB/IE/NI

GB/IE/NI

GB/IE/NI

GB/IE/NI

GB/IE/NI

GB/IE/NI

GB/IE/NI

GB/IE/NI

GB/IE/NI

GB/IE/NI

GB/IE/NI

GB/IE/NI

GB/IE/NI

GB/IE/NI

GB/IE/NI

GB/IE/NI

GB/IE/NI

GB/IE/NI

GB/IE/NI

GB/IE/NI

GB/IE/NI

GB/IE/NI

GB/IE/NI

GB/IE/NI

GB/IE/NI

GB/IE/NI

GB/IE/NI

GB/IE/NI

GB/IE/NI

GB/IE/NI

GB/IE/NI

GB/IE/NI

GB/IE/NI

GB/IE/NI

GB/IE/NI

GB/IE/NI

GB/IE/NI

GB/IE/NI

GB/IE/NI

GB/IE/NI

GB/IE/NI

GB/IE/NI

GB/IE/NI

GB/IE/NI

GB/IE/NI

GB/IE/NI

GB/IE/NI

GB/IE/NI

GB/IE/NI

GB/IE/NI

GB/IE/NI

GB/IE/NI

GB/IE/NI

GB/IE/NI

"Charging the Battery"). The accent lighting is permanently switched on in the dark.

●Charging the Battery

● Charging the Battery with the Solar Cell
■ Turn the product off if necessary by pressing the ON/OFF switch [2], to avoid interfering with the charging process when the product is switched on (see fig. A).
■ Please **note:** The battery is charged after 4 to 6 days of good sunlight. The duration of the charging process depends on the battery's charge level and the quality of sunlight.
Please note: If the battery is faulty, the entire product must be properly disposed of.

●Setup

■ Press the ON/OFF switch [2] to turn on the product. The motion sensor [4] will react and activate the LED spotlight [3] as soon as the ambient light is < 30 lx (lux) (see fig. A).
■ Press the ON/OFF switch [2] again to turn off the product. (see fig. A).

●Cleaning and Storage

■ Switch off the product by pressing the ON/OFF switch [2] when you do not want to use the product and want to store it (see fig. A).
■ Check the motion sensor [4] and the solar cell [5] regularly for dirt (see fig. A). Remove any dirt to ensure the product works correctly.
■ Keep the product, especially the solar cell [5], free of snow and ice in winter (see fig. A).
■ Clean the product with a clean, damp cloth and a mild detergent.

GB/IE/NI

GB/IE/NI

GB/IE/NI

GB/IE/NI

GB/IE/NI

GB/IE/NI

GB/IE/NI

GB/IE/NI

GB/IE/NI

GB/IE/NI

GB/IE/NI

GB/IE/NI

GB/IE/NI

GB/IE/NI

GB/IE/NI

GB/IE/NI

GB/IE/NI

GB/IE/NI

GB/IE/NI

GB/IE/NI

GB/IE/NI

GB/IE/NI

GB/IE/NI

GB/IE/NI

GB/IE/NI

GB/IE/NI

GB/IE/NI

GB/IE/NI

GB/IE/NI

GB/IE/NI

GB/IE/NI

GB/IE/NI

GB/IE/NI

GB/IE/NI

GB/IE/NI

GB/IE/NI

GB/IE/NI

GB/IE/NI

GB/IE/NI

GB/IE/NI

GB/IE/NI

GB/IE/NI

GB/IE/NI

GB/IE/NI

GB/IE/NI

GB/IE/NI

GB/IE/NI

GB/IE/NI

GB/IE/NI

GB/IE/NI

GB/IE/NI

GB/IE/NI

GB/IE/NI

GB/IE/NI

GB/IE/NI

GB/IE/NI

GB/IE/NI

In the interest of environmental protection, do not dispose of the product via the household waste, but rather dispose of it properly. For information on collection points and their opening times, please contact your local council.

Faulty or used batteries must be recycled in accordance with Directive 2006 / 66 / EC and its amendments. Return batteries and/or the product via the offered collection facilities.

DK

DK

DK

DK

DK

DK

