

LED SOLAR WALL LAMP LÁMPARA DE PARED SOLAR CON LED

US-EN

LED SOLAR WALL LAMP

Operating and Safety Instructions

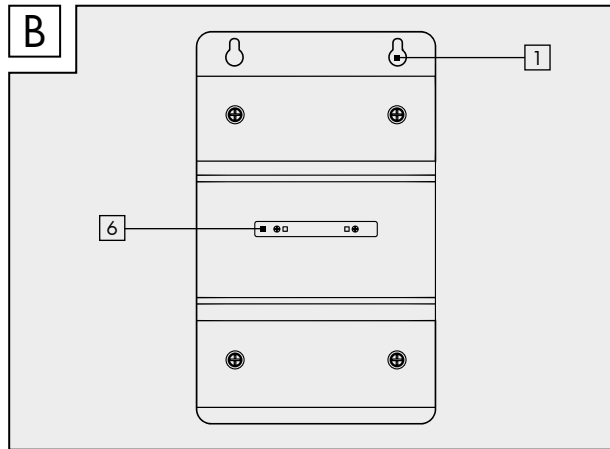
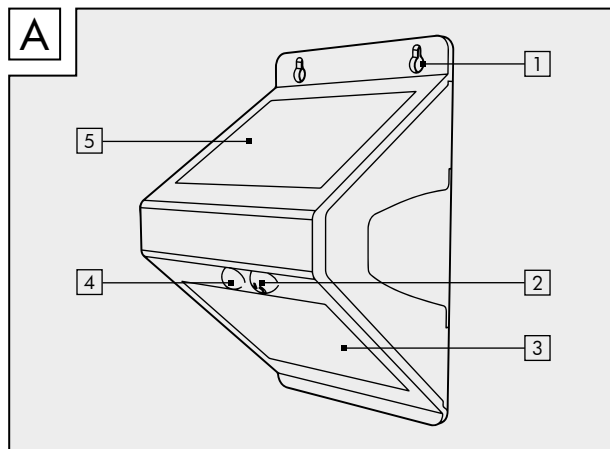
US-ES

LÁMPARA DE PARED SOLAR CON LED

Instrucciones de uso y seguridad

IAN 354758_2010

US-EN US-ES



LED Solar Wall Lamp

Changes or modifications to this product not expressly approved by the party responsible for compliance could void the user's authority to operate the product.

Note: This product has been tested and complies with the limits for a Class B digital device, pursuant to Part 15 of the FCC Rules. These limits are designed to provide reasonable protection against harmful interference in a residential installation. This product generates, uses and can radiate radio frequency energy and, if not installed and used in accordance with the instructions, may cause harmful interference to radio communications. However, there is no guarantee that interference will not occur in a particular installation. If this product causes harmful interference to radio or television reception, which can be determined by turning the product off and on, the user is encouraged to try and correct the interference by one or more of the following measures:

- Reorient or relocate the receiving antenna.
- Increase the separation between the equipment and receiver.
- Connect the product into an outlet on a circuit different from that to which the receiver is connected.
- Consult the dealer or an experienced radio / TV technician for help.

Introduction

Congratulations to your new device. You have purchased a high quality product. Please read this instruction manual carefully and completely. This manual belongs to this product and contains important instructions for commissioning and handling. Always comply with any safety instructions. Should you have any questions, or if you are not sure how to handle this device, please contact your dealer, or the

customer service department. Please keep this manual for reference, and pass it on to third persons, if applicable.

Key to Illustrations

- Read the instruction manual!
- Direct current
- Please note warning and safety instructions!
- Danger to life and accident risk for toddlers and children!
- Explosion hazard!
- Wear protective gloves!
- Please dispose of packaging and device in an environmentally friendly manner!
- Environmental hazards through wrong disposal of rechargeable batteries!
- This symbol means that the product operates with safety extra-low voltage (SELV/PELV) (protection class III).
- Not suitable for room lighting
- Integrated lithium ion rechargeable battery included
- With the CE marking, the manufacturer confirms that this electrical appliance complies with the applicable European directives.

US-EN

US-EN

US-EN

9

Distributed by LIDL US, LLC,
Arlington, VA 22202

Model No./Modelo Núm.: 718-SL
Made in/Hecho en: China
Manufactured/Fabricado: 12/2020



Technical Details

Solar Cell:	Monocrystalline, 0.8 W
Lithium Ion Rechargeable Battery: (non-exchangeable)	3.7 V , 1200 mAh
Illuminants:	2x LED (accentuated illumination) 8x LED (front illumination)
Rating:	3 W
Motion Sensor:	Detection range 6.5 ft – 16.4 ft (2 m - 5 m) Angle of coverage: approx. 90° Luminous period is approx. 12.5 hours (only applicable to accentuated illumination). Spotlight (8 LEDs) is illuminated for 15 seconds after detection of motion. Luminous period is approx. 1 hour if all LEDs are illuminated.
Luminous period:	
Degree of protection:	IP65 (dust-proof and hose-proof)
Dimensions:	Approx. W x H x D: 3.74 in x 6.18 in x 3.07 in (9.5 cm x 15.7 cm x 7.8 cm)
Luminous flux (accentuated illumination):	Approx. 6 lm
Luminous flux (after motion sensor is triggered):	Approx. 200 lm
Recommended height of installation:	6.56–13.12 ft / 2–4 m
Model number:	718-SL



Safety Instructions



WARNING!

DANGER TO LIFE AND ACCIDENT RISK FOR TODDLERS AND CHILDREN! Never leave children unattended with packaging material. Hazard of suffocation. Children often underestimate hazards. Please keep children away from the product at any time.

- **DANGER TO LIFE!** Keep children away while assembling the device. Scope of delivery includes a number of screws and other small parts. They can be dangerous to life when swallowed or inhaled.
- This product may be used by children of 14 years and older, and persons with reduced physical, sensory or mental abilities, or persons without relevant experience and knowledge if they are attended, or after they have been properly instructed as to how to use the product safely, and if they have understood any resulting hazards. Children must not play with the product. Cleaning and maintenance works must not be conducted by unattended children.
- Do not use the product if you detected any defects or damage.
- If the lamp has concluded its life span, it must be disposed of in accordance with local waste disposal regulations. LEDs are not exchangeable.



Safety Instructions for Batteries/ Rechargeable Batteries

- **DANGER TO LIFE!** Keep batteries/rechargeable batteries out of reach of children. If a part was swallowed, immediately go and see a doctor!
- **NOTE!** The rechargeable battery is not exchangeable. If it is exhausted the entire lamp must be disposed of.

- **EXPLOSION HAZARD!** Never try to recharge non-rechargeable batteries. Do not short-circuit batteries/rechargeable batteries, and do not open them. This may result in overheating, risk of fire, or bursting.
- Never throw batteries/rechargeable batteries in fire or water.
- Do not expose batteries/rechargeable batteries to mechanic load.
- Risk of fire and burns.
- Do not open up, crush, heat above 60°C or incinerate.
- Follow manufacturer's instructions.

Risk of leaking of batteries/rechargeable batteries

- Avoid extreme conditions and temperatures to which batteries/rechargeable batteries may be exposed, e.g. on top of heaters / direct exposition to sunlight.
- Prevent any contact with skin, eyes and mouth! After any contact with battery acid, rinse affected part of body with sufficient quantities of clear water and immediately go and see a doctor!
- **WEAR PROTECTIVE GLOVES!** Leaking or damaged batteries/rechargeable batteries may cause chemical burn to your skin. Therefore wear suitable protective gloves in such case.
- In the event of leaking batteries, remove them immediately from the product in order to prevent damage.

Assembly

- **Note:** Please remove packaging material completely. Before you start assembling, decide where to mount the device.
- Please make sure that no cables, gas pipes or water pipes are located where you wish to drill holes in the wall. Use a power drill in order to drill holes in the wall. Please note the safety instructions in the instruction manual of your power drill. Otherwise there is a risk of

Intended Use

This product is a specialized product since it may be operated with temperatures below -21 °C and still serves its purpose. The Solar lamp LED with motion sensor is intended for automatic illumination of outdoor areas (e.g. garden, terrace etc.). The lamp must not be used indoors since the rechargeable battery cannot be recharged there. The lamp is unsuitable for indoor illumination. The device is exclusively intended for private use.

Scope of Delivery

- 1x LED solar lamp with motion sensor
- 1x assembly material
- 1x assembly instructions and instruction manual

Description of Parts

- 1 Mounting holes
- 2 ON/OFF switch
- 3 LED spotlight
- 4 Motion sensor
- 5 Solar cell
- 6 LEDs for accentuated illumination

- death or injuries due to electric shock.
- **When selecting the place of installation, please pay attention to the following things:**
 - Make sure the product illuminates the selected area properly.
 - Make sure the motion sensor [2] covers the selected area. The motion sensor [2] has coverage of a maximum of 16.4 ft (5 m) with an angle of coverage of approx. 90° (see Fig. A).
 - Make sure the motion sensor [2] is not illuminated by street lights during the night (see Fig. A). This may result in diminished functionality.
 - The solar cell [5] requires as direct sunlight as possible. Even part-time shading of solar cell [5] during the day may considerably impair recharging (see Fig. A).
 - Recommended height of installation is 6.56–13.12 ft / 2–4 m. Use mounting holes [1], to mark the position of the drill hole (see Fig. A and B).
 - Drill holes (ø 6 mm).
 - Screw one plug and one screw each into the drilled holes. Leave a little space between the head of the screw and the wall.
 - Mount the product to the wall by putting it with the Mounting holes [1] onto the screws (see Fig. A and B).
 - Adjust the product, and tighten the screws in the Mounting holes [1] (see Fig. A and B).
- **Cardinal Points:** Optimum direction is pointing southward. Rather select a direction more towards the west than towards the east.

Mode of Function

When exposed to direct sunlight, the solar cell transforms light into electrical energy, and stores it in the incorporated rechargeable battery. When completely recharged, luminous period for accentuated illumination is 12.5 hours. Before first using it, the rechargeable battery must be fully charged (please see chapter „Charging the Rechargeable Battery“).

Service

US-EN

Hotline: 1 (844) 543-5872
(www.lidl.com/contact-us)

IAN 354758_2010

Please have the receipt and the article number (e.g. IAN 123456) ready as proof of purchase for all enquiries.

Charging the Rechargeable Battery

Recharge rechargeable battery through solar cell

- Switch off the product, if applicable, by pressing the ON/OFF button [4] in order to prevent impairment of charging process through switching on of product (see Fig. A).
- **Note:** After 4 to 6 days with proper sunshine, rechargeable battery is fully charged.
- Duration of charging process depends on charging status of rechargeable battery as well as sunshine quality.
- **Note:** If rechargeable battery is defective, the entire product must be disposed of properly.

Commissioning

Switching the product ON/OFF

- Press the ON/OFF switch [4], in order to switch on the product (see Fig. A). The motion sensor [2] reacts and switches the LED spotlight [3] on as soon as the surrounding light is < 30 lx (see Fig. A).
- Press the ON/OFF switch [4] again in order to switch off the product (see Fig. A).

Cleaning and Storage

- Press the ON/OFF [4] in order to switch off the product if you do not wish to use the product, or if you want to store it (see Fig. A).
- Please check the motion sensor [2] and solar cell [5] regularly for dirt (see Fig. A). Remove any dirt to ensure proper functioning of product.
- Keep the product, and in particular the solar cell [5], free from snow and ice during winter (see Fig. A).

- Clean the product with a lintless, slightly wet cloth and mild detergent.

Troubleshooting

- = Errors
- ⊙ = Cause
- = Solution
- = The product cannot be switched on.
- ⊙ = The product is switched off.
- = Press the ON/OFF switch [4], in order to switch on the product.
- ⊙ = The motion sensor [2] is dirty.
- = Clean the motion sensor [2].
- ⊙ = The rechargeable battery is empty.
- = Recharge the rechargeable battery (please see chapter „Charging of Rechargeable Battery“).
- = Light is flashing
- ⊙ = Rechargeable battery is almost empty.
- = Recharge the rechargeable battery (please see chapter „Charging of Rechargeable Battery“).
- = Rechargeable battery is empty within a very short period of time.
- ⊙ = Solar cell [5] is dirty.
- = Clean the solar cell [5].

Disposal

Please inquire about disposal options of your old product at your municipality or town administration. If your product is old and obsolete, in the interest of environment, do not dispose of it via your household waste system, but through specialist waste disposal systems. Information on collecting points and opening

hours is available at your competent administrative bodies.



Environmental hazards through wrong disposal of rechargeable batteries!

Rechargeable batteries must not be disposed of via household waste systems. They may contain poisonous heavy metals, and are subject to special waste treatment. Chemical symbols of heavy metals are: Cd = cadmium; Hg = quicksilver; Pb = lead.

3 year limited warranty

What does this warranty cover?

The warranty covers:
 · Damage, breakage or inoperability due to defect.
 · Damage not caused by normal wear and tear or failure to follow the safety and maintenance instructions provided in the user manual.

What is not covered by the warranty?

The warranty does not cover damage caused by:
 · Normal wear and tear of the product, including fragile parts (such as switches, glass, etc.);
 · Improper use or transport;
 · Disregarding safety and maintenance instructions;
 · Accidents or acts of nature (e.g. lightning, fire, water, etc.);
 · Tampering with the product (such as removing cover, unscrewing screws etc.)

Consequential and incidental damages are also not covered under this warranty. However, some states do not allow the exclusion or limitation of incidental or consequential damages, so this limitation or exclusion may not apply to you.

What is the period of coverage and warranty resolution?
 The warranty is for 3 years from the date of purchase. At our

discretion, product will either be refunded or replaced.

What will we not do?

- We will not:
- Start a new warranty period upon product exchange;
- Repair product.

How to process the warranty?

- To initiate, please:
- Call customer service at 1 (844) 543-5872
- Visit the Website Customer Service Platform at www.lidl.com/contact-us
- or
- Visit a LIDL store for further assistance

To ensure the quickest warranty return process, please have the following available:
 · The original sales receipt that includes the date purchased;
 · The product and manual in the original package;
 · A statement of the problem.

What must you do to keep the warranty in effect?

- Retain the original receipt;
- Follow all product instructions;
- Do not repair or modify the product.

How does state law relate to this warranty?

This warranty gives you specific legal rights, and you may also have other rights which vary from state to state. All implied warranties are limited by the duration and terms of this warranty. Some states do not allow limitations on how long an implied warranty lasts, so the above limitation may not apply to you.

US-EN

US-EN

US-EN

US-EN

Lámpara de pared solar con LED

Los cambios o modificaciones no expresamente aprobados por el encargado de Compliance podrían anular la autorización del usuario para utilizar el equipo.

Nota: Este equipo ha sido probado y cumple con los límites para un dispositivo digital Clase B de acuerdo con la Parte 15 de la normativa de la FCC. Estos límites han sido concebidos para proporcionar una protección razonable frente a interferencias perjudiciales en una instalación residencial. Este equipo genera, usa y puede irradiar energía de radiofrecuencia, y si no se instala y utiliza de acuerdo con las instrucciones, podría causar una interferencia perjudicial en las radiocomunicaciones. Sin embargo, no se puede garantizar que dicha interferencia no ocurra en una instalación determinada. Si este equipo causara una interferencia perjudicial para la recepción de radio o televisión, lo cual se puede determinar apagando y encendiendo el equipo, se insta al usuario a intentar corregir la interferencia aplicando una o varias de las siguientes medidas:

- Reorientar o reubicar la antena de recepción.
- Aumentar la separación entre el equipo y el receptor.
- Conectar el equipo a una toma en un circuito diferente al que está conectado el receptor.
- Consultar al vendedor o a un técnico de radio/TV con experiencia para obtener ayuda.

● Introducción

i

Le felicitamos por haber comprado su nuevo aparato. Ha elegido un producto de alta calidad. Lea este instructivo de uso completa y detenidamente. Este instructivo es parte de este producto y contiene instrucciones importantes para la puesta en marcha y el uso. Observe siempre todas las instrucciones de seguridad. Si tiene alguna pregunta o

US-ES	US-ES
US-ES	US-ES

- ⚠**

¡PELIGRO DE EXPLOSIÓN! No recargue nunca pilas no recargables. No cortocircuite ni abra las pilas/baterías. Podrían calentarse, encenderse o explotar

- No deseche nunca las pilas / baterías al fuego o al agua.
- No exponga nunca las pilas / baterías a esfuerzos mecánicos.
- Riesgo de incendio y quemaduras.
- No desmontar, no exponer a una temperatura por encima de 60 °C y no arrojar el fuego.
- Siga las instrucciones del fabricante.

● Riesgo de fugas de las pilas / baterías

- Evite las condiciones y las temperaturas extremas que puedan afectar a las pilas / baterías, p. ej., radiadores / luz solar directa.
- Evite el contacto con la piel, los ojos y las membranas boca. En caso de contacto con el ácido de la batería, lave la zona inmediatamente con agua limpia y busque ayuda médica de inmediato.

- ⚠**

¡LLEVE GUANTES PROTECTORES! Las pilas / baterías con fugas o dañadas pueden causar quemaduras si entran en contacto con la piel. En ese caso, lleve guantes protectores adecuados.

- Si las pilas presentan fugas, retírelas inmediatamente del producto para evitar daños.

● Ensamble

Nota:Retire todo el material de empaque. Antes de ensamblarlo, decida dónde ensamblar el producto. **⚠**

Cerciórese de no encontrar ningún conducto de electricidad, gas o de agua al perforar en la pared. Utilice un taladro para realizar las perforaciones en la mampostería. Observe las instrucciones de seguridad de las instrucciones de uso y de seguridad del taladro. De lo contrario, existe riesgo de muerte o lesiones por descarga

no está seguro sobre el uso del aparato, comuníquese con su distribuidor o servicio al cliente. Conserve este instructivo con cuidado y transfírmalo a terceros si es necesario.

● Leyenda de los pictogramas utilizados

i	¡Lea el instructivo de uso!
— —	Corriente continua

- ⚠**

¡Observe las instrucciones de advertencia y de seguridad!

- ⚠**

¡Peligro de muerte y de accidente para bebés y niños!

- ⚠**

¡Peligro de explosión!

- ⚠**

¡Lleve guantes protectores!
- ♻**

¡Deseche el empaque y el aparato de forma respetuosa con el medio ambiente!

- ⚠**

¡Daños ambientales debido a la disposición incorrecta de las baterías!

- III**

Este símbolo indica que el producto funciona con una tensión de protección muy baja (SELV / PELV) (clase de protección III).

- ⚠**

Producto no apto para la iluminación de estancias.

US-ES	US-ES
US-ES	US-ES

eléctrica.
Al seleccionar el lugar de ensamble, preste atención a lo siguiente:

- Cerciórese de que el producto ilumine el área deseada.
- Cerciórese de que el sensor de movimiento **2** detecte el área deseada. El sensor de movimiento **2** tiene un rango de detección de máx. 16.4 ft (5 m), con un ángulo de detección de aprox. 90° (ver la fig. A).
- Cerciórese de que el sensor de movimiento **2** no reciba luz por la noche del alumbrado público, ya que puede afectar al funcionamiento (ver la fig. A).
- La celda solar **5** necesita preferiblemente luz solar directa. Incluso un sombreado parcial de la celda solar **5** durante el día puede afectar significativamente a la carga (ver la fig. A).
- La altura recomendable de ensamble es de 6.56–13.12 ft / 2–4 m. Utilice los orificios de ensamble **1**, para marcar la posición de la perforación (ver las figs. A y B).
- Taladre los orificios (ø 6 mm).
- Atornille en los orificios perforados los taquetes y los tornillos suministrados. Deje un pequeño espacio entre la cabeza del tornillo y la pared.
- A continuación ensamble el producto colocando los orificios de ensamble **1** en los tornillos (ver las figs. A y B).
- Alinee el producto y apriete los tornillos en los orificios de ensamble **1** (ver las figs. A y B).

Punto cardinal:

La orientación óptima es hacia el sur. Más bien, elija una orientación desviada ligeramente hacia el oeste en lugar de hacia el este.

● Funcionamiento

Cuando se expone a la luz solar, la celda solar convierte la luz en energía eléctrica y la almacena en la batería incorporada. Cuando la batería está completamente cargada, la duración de la iluminación de acento es de 12,5 horas. Antes de utilizarlo por

US-ES	US-ES
US-ES	US-ES

limitadas a la duración y términos de la presente garantía. Algunos estados no permiten limitaciones al periodo de tiempo y términos de la garantía implícita, por lo que dichas limitaciones pudieran no aplicarse en su caso.

● Servicio postventa

US-**ES**

Hotline: 1 (844) 543-5872 (www.lidl.com/contact-us)

IAN 354758_2010

Por favor, al realizar cualquier consulta tenga a mano el recibo y el número de artículo (p. ej. IAN 123456) como comprobante de compra

B	Batería de iones de litio integrada.
CE	Con el marcado CE, el fabricante confirma que este aparato eléctrico cumple con las directivas europeas aplicables.

● Uso previsto

Este producto es un producto especial porque puede operarse a temperaturas inferiores a -21 °C y cumple su función. La lámpara solar LED con detector de movimiento está diseñada para iluminar automáticamente exteriores (p. ej., jardines, terrazas, etc.). La lámpara no debe instalarse en interiores, ya que la batería no se puede cargar. La lámpara no es adecuada para iluminar interiores. El aparato está destinado exclusivamente para uso privado.

● Volumen de suministro

1x Lámpara solar LED con detector de movimiento
1x Material de ensamble
1x Instructivo de ensamble y de uso

● Descripción de partes

- Orificios de ensamble
- Interruptor de encendido y apagado
- Foco LED
- Sensor de movimiento
- Celda solar
- LEDs para iluminación de acento

US-ES	US-ES
US-ES	US-ES

primera vez, la batería debe estar cargada (consulte el capítulo „Carga de la batería“).

● Carga de la batería

● Carga de la batería con la celda solar

- Si es necesario, apague el producto pulsando el interruptor de encendido y apagador **4** para evitar que se interrumpa el proceso de carga al encender el producto (ver la fig. A). **Nota:** Después de 4 a 6 días con buena luz solar, la batería estará cargada. La duración del proceso de carga depende del estado de carga de la batería y de la calidad de la luz solar. **Nota:**Si la batería está defectuosa, se deberá desechar adecuadamente todo el producto.

● Puesta en marcha

● Encendido y apagado del producto

- Pulse el interruptor de encendido y apagado **4**, upara encender el producto (ver la fig. A). El detector de movimiento **2** reaccionará y encenderá el foco LED **3** tan pronto como la luz ambiental sea < 30 lx (ver la fig. A).
- Vuelva a pulsar el interruptor de encendido y apagado **4** para apagar el producto (ver la fig. A).

● Limpieza y almacenaje

- Apague el producto pulsando el interruptor de encendido y apagado **4** si no va a utilizar el producto y quiere almacenarlo (ver la fig. A).

- Examine periódicamente si el sensor de movimiento **2** y la celda solar **5** presentan impurezas (ver la fig. A). Retírelas

● Datos técnicos

Celda solar:	monocristalina, 0,8 W
Batería de ion de litio:	3,7 V — — , 1200 mAh (no reemplazable)
Fuente de luz:	2x LED (iluminación de acento) <p>8x LED (iluminación frontal)</p>
Consumo nominal de potencia:	3 W
Detector de movimiento:	Alcance: 6.5 ft – 16.4 ft (2 m - 5 m) <p>Ángulo de detección: aprox. 90°</p> <p>La duración de la luz es de aproximadamente 12,5 horas (sólo para la iluminación de acento). El foco (8 LEDs) se enciende durante 15 segundos después de detectar el movimiento. La duración de la luz es de 1 hora si todos los LEDs están encendidos.</p>

Duración de la luz: IP65 (hermético al polvo y contra chorro de agua)

Grado de protección: aprox. W x H x D: 3.74 in x 6.18 in x 3.07 in (9.5 cm x 15.7 cm x 7.8 cm)

Dimensiones:	
Flujo luminoso (iluminación de acento):	aprox. 6 lm
Flujo luminoso (con el detector de movimiento activo):	aprox. 200 lm
Altura recomendable de ensamble:	6.56–13.12 ft / 2–4 m
Número de modelo:	718-SL

US-ES	US-ES
US-ES	US-ES

para garantizar que el producto funcione correctamente.
 Retire en invierno el hielo y la nieve del producto, especialmente de la celda solar **5** (ver la fig. A).
 Limpie el producto con un paño ligeramente humedecido sin pelusas y detergente suave.

● Resolución de problemas

- = Problema
- = Causa
- = Solución

- = El producto no se enciende.
- = El producto está apagado.
- = Pulse el interruptor de encendido y apagado **4**, para encender el producto.
- = El sensor de movimiento **2** está sucio.
- = Limpie el sensor de movimiento **2**.
- = La batería está descargada.
- = Cargue la batería (consulte el capítulo „Carga de la batería“).

- = La luz parpadea.
- = La batería está casi descargada.
- = Cargue la batería (consulte el capítulo „Carga de la batería“).

- = La batería se descarga en poco tiempo.
- = La celda solar **5** está sucia.
- = Limpie la celda solar **5**.

● Eliminación



Puede ponerse en contacto con su administración municipal o ayuntamiento para informarse sobre las opciones de disposición de residuos.

Instrucciones de seguridad

Peligro



⚠ ¡ADVERTENCIA!

¡PELIGRO DE MUERTE Y DE ACCIDENTE PARA BEBÉS Y NIÑOS! Nunca deje a los niños desatendidos

con el material de empaque. Existe peligro de atragantamiento debido al materal de empaque. Los niños a menudo subestiman los peligros. Mantenga el producto alejado de los niños.

- ¡PELIGRO DE MUERTE!** Mantenga a los niños alejados de la zona de trabajo durante el ensamble. El volumen de suministro contiene varios tornillos y otras partes pequeñas, que pueden ser peligrosas ya que podrían provocar atragantamiento en caso de ser ingeridas o inhaladas.
- Este aparato puede ser utilizado por niños de 14 años y mayores y personas con capacidades físicas, sensoriales o mentales reducidas, o con falta de experiencia y conocimiento, si se les ha dado instrucciones referidas al uso del aparato de una manera segura y comprendan los peligros involucrados. Los niños no deben jugar con este producto. La limpieza y el mantenimiento no deberán hacerlo los niños sin supervisión.
- No utilice el aparato si detecta algún daño.
- Si la lámpara ha llegado al final de su vida útil, debe desecharse de acuerdo con las normas locales de eliminación. Los LEDs no son reemplazables.

Instrucciones de seguridad para pilas / baterías

- ¡PELIGRO DE MUERTE!** Mantenga las pilas / baterías fuera del alcance de los niños. Si se ingieren, busque ayuda médica de inmediato.

- ¡NOTA!** La batería no es reemplazable. Si se agota, se debe desechar toda la lámpara.

US-ES	US-ES
US-ES	US-ES

- ⚠**

Para proteger el medioambiente, no deseche el producto cuando sea inservible con la basura doméstica, sino deséchelo correctamente. Podrá informarse de los centros de recogida y sus horarios en su administración local.

- ⚠**

¡Daños ambientales debido a la disposición incorrecta de las baterías! Las baterías no deben desecharse con la basura doméstica. Pueden contener metales pesados tóxicos y deben tratarse como residuos peligrosos. Los símbolos químicos de los metales pesados son los siguientes: Cd = cadmio, Hg = mercurio, Pb = plomo.

● Garantía limitada de 3 años

Lo que cubre la presente garantía

- Daños, quemaduras o incapacidad para funcionar debido a defectos.
- Daños que no hayan sido causados por el desgaste propio del uso o por no seguir las instrucciones de seguridad y mantención incluidas en el manual para el usuario.

Lo que no cubre esta garantía

- La garantía no cubre daños causados por:
- El desgaste propio del uso del producto, incluidas las partes frágiles (como interruptores, piezas de vidrio, etc.).
- Uso o transporte no indicado del producto.
- Desatención a las instrucciones de seguridad y mantención.
- Accidentes o causas de fuerza mayor (e.g. relámpagos, incendio, inundación, etc.).
- Manipulación mal intencionada del producto (retirar la cubierta, tornillos, etc.).

La presente garantía tampoco cubre daños indirectos o emergentes. Sin embargo algunos estados no permiten la exclusión o limitación de daños indirectos o emergentes, por lo que dicha

US-ES	US-ES
US-ES	US-ES

exclusión o limitación pudiera no aplicarse en su caso.

Periodo de cobertura y resolución de la garantía
La garantía es válida por 3 años a partir de la fecha de compra. La empresa, según lo estime conveniente, devolverá el dinero o repondrá el producto.

La empresa no:

- Dará inicio a un nuevo periodo de garantía al hacerse el cambio del producto.
- Reparará el producto.

¿Cómo se tramita la garantía?
Recomendamos que primero usted:

- llame al Servicio de atención al cliente al 1 (844) 543-5872.
- Visite el Portal de atención al cliente en www.lidl.com/contact-us
- Visite una de nuestras tiendas LIDL en caso de cualquier inquietud.

A fi n de acelerar el trámite de la garantía, tenga a bien contar con lo siguiente:

- Recibo de venta original que incluya la fecha de compra.
- Producto y manual en su empaque original.
- Descripción del problema.

¿Qué debe hacer usted para mantener la garantía vigente?

- Guardar el recibo original.
- Seguir todas las instrucciones para el uso del producto.
- No realizar ninguna reparación ni alteración al producto.

¿De qué manera influyen las leyes estatales con esta garantía?

La presente garantía le otorga derechos legales especifi cos, y pudiera usted contar con otros derechos los cuales varían de un estado a otro. Todas las garantías implícitas se encuentran

US-ES	US-ES
US-ES	US-ES