



## CORDLESS MAGNETIC LIGHTS

GB IE NI

### CORDLESS MAGNETIC LIGHTS

Operating and safety information

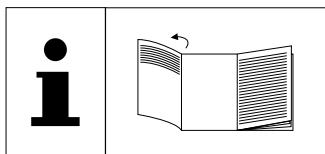
DE AT CH

### AKKU-MAGNETLEUCHTEN

Bedienungs- und Sicherheitshinweise

IAN 384240\_2107

IE NI



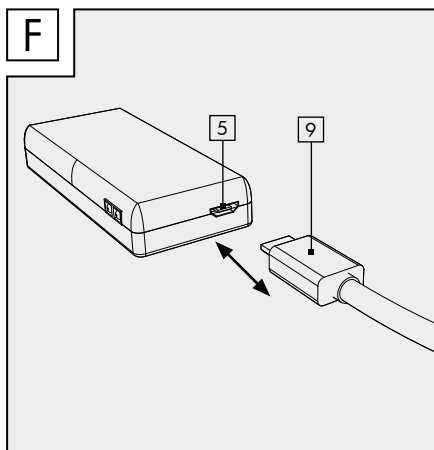
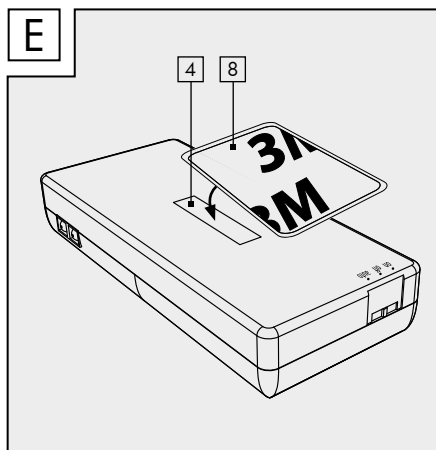
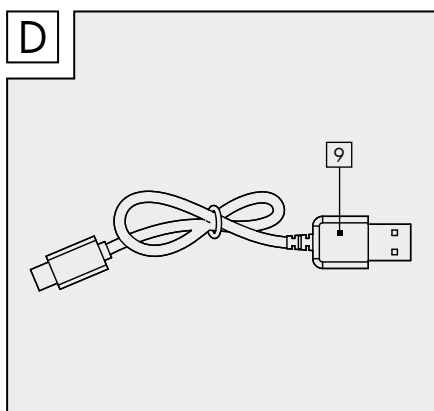
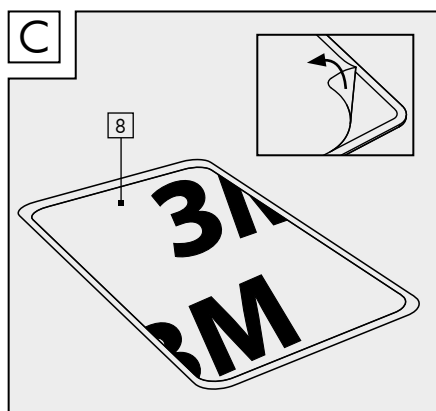
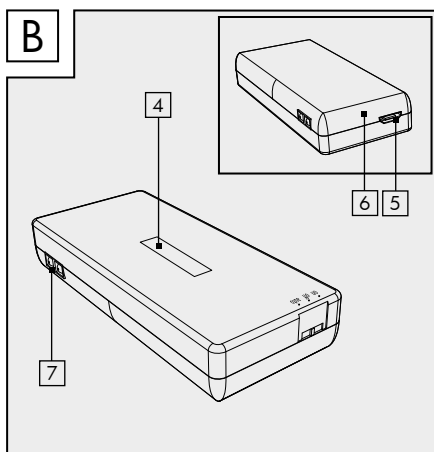
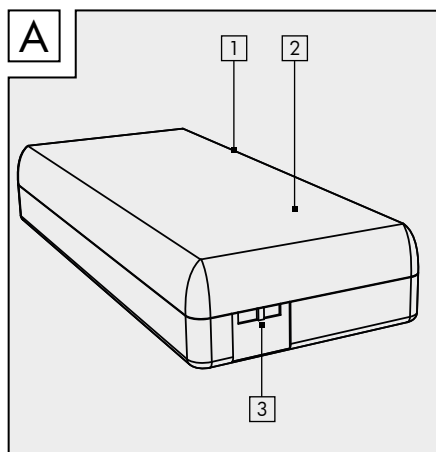
**GB** **IE** **NI**

Before you start reading, please fold out the illustrations page and familiarise yourself with all of the item's functions.

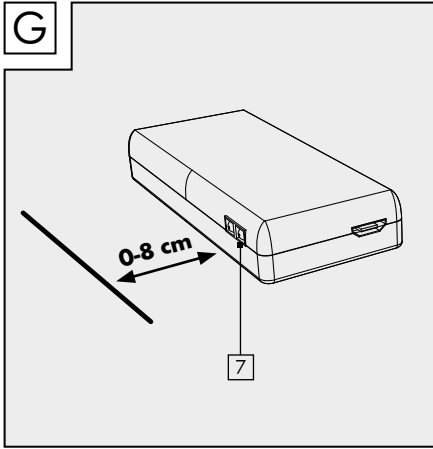
**DE** **AT** **CH**

Klappen Sie vor dem Lesen die Seite mit den Abbildungen aus und machen Sie sich anschließend mit allen Funktionen des Artikels vertraut.

GB/IE/NI	Operating and safety information	page	6
DE/AT/CH	Bedienungs- und Sicherheitshinweise	Seite	12



G



GB IE NI


<b>Introduction</b> .....	6
<b>Explanation of symbols</b> .....	6
<b>Intended use</b> .....	6
<b>Specifications supplied</b> .....	7
<b>Description of parts</b> .....	7
<b>Technical data</b> .....	7
<b>Safety information</b> .....	7
<b>Risk of leakage from rechargeable batteries</b> .....	8
<b>Before first-time use</b> .....	8
<b>Assembly and installation</b> .....	8
<b>Charging the battery</b> .....	8
<b>Switching the cordless magnetic lamps ON/OFF</b> .....	9
<b>Cleaning and storage</b> .....	9
<b>Troubleshooting</b> .....	9
<b>Disposal</b> .....	10
<b>Warranty</b> .....	10
<b>Service</b> .....	11

DE AT CH

<b>Einleitung</b> .....	12
<b>Zeichenerklärung</b> .....	12
<b>Bestimmungsgemäße Verwendung</b> .....	13
<b>Lieferumfang</b> .....	13
<b>Teilebeschreibung</b> .....	13
<b>Technische Daten</b> .....	13
<b>Sicherheitshinweise</b> .....	13
<b>Risiko des Auslaufens von Batterien/ Akkus</b> .....	14
<b>Vor der ersten Inbetriebnahme</b> .....	14
<b>Montage</b> .....	14
<b>Akku aufladen</b> .....	15
<b>Akku-Magnetleuchten AN/AUS</b> .....	15
<b>Reinigung und Lagerung</b> .....	15
<b>Fehlerbehebung</b> .....	16
<b>Entsorgung</b> .....	16
<b>Garantie</b> .....	16
<b>Service</b> .....	18

# Cordless magnetic lamps

## ● Introduction

 Congratulations on the purchase of your new product. You have chosen a high-quality product. Please read these operating instructions thoroughly and carefully. These instructions are an essential part of the product and contain important information on first-time use and handling. Always observe all safety instructions. If you have any questions or are unsure how to operate the product, please contact your retailer or service centre. Please keep this manual in a safe place and pass it on to third parties where necessary.

## ● Explanation of symbols



Read the operating instructions!



Issue date of instruction manual (month/year)



Date of manufacture (month/year)



Direct current



Risk of fatal injury and accidents for infants and children!



Observe warning and safety instructions!



Risk of electric shock!



Explosion hazard!



Wear protective gloves!



This symbol indicates that the product operates with safety extra-low voltage (SELV/PELV, protection class III).



Not suitable for indoor lighting



Suitable for indoor use only



Automatic activation



Universal Serial Bus (USB)



Dispose of packaging and product in an environmentally friendly manner!



Risk of environmental damage from incorrect disposal of batteries/rechargeable batteries!



Packaging made of FSC-certified wood mix



With the CE label, the manufacturer confirms that this electrical device complies with the applicable European directives.



Products marked with this symbol meet all applicable regulations and requirements in the economic area of the United Kingdom of Great Britain.



Address of supplier

## ● Intended use

The product is suitable for lighting drawers in a dry, indoor area, such as inside a house, garage or garden shed. These cordless magnetic lamps are especially user-friendly in design and easy to use. These cordless magnetic lamps enable you to illuminate poorly lit areas, especially in places where there is no direct mains power supply. These lamps must not be operated while being charged. These articles should only be used as explained in these

instructions. Any other use is considered use other than intended and may cause property damage or personal injury. These products are not intended for commercial or industrial use. For use in indoor areas only. Not suitable for indoor lighting.

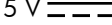
## ● Specifications supplied

- 3 cordless magnetic lamps
- 3 magnetic holders with adhesive pads
- 1 USB charging cable
- 1 assembly and operating manual

## ● Description of parts

- 1 Cordless magnetic lamps
- 2 LED
- 3 ON/OFF/AUTO switch
- 4 Magnet
- 5 Micro-USB input socket
- 6 Charge indicator
- 7 Infrared sensor
- 8 Magnetic holder with adhesive pad
- 9 USB charging cable

## ● Technical data

Model number:	970-M
LED lamp	Max. 0.6 W
Colour temperature:	4000 kelvin, neutral white
USB socket input voltage:	5 V  Max. 0.22 A
Power supply:	1 x 0.33 Ah Li-ion battery, 3.7 V Battery is not replaceable
Dimensions:	approx. 6.8 x 3 x 1.2 cm
Protection class:	III

Luminous flux:	approx. 40 lm
Motion detector:	Infrared
LED service life:	30,000 hours

## ● Safety information



### Safety information



#### **⚠ WARNING!**

#### **RISK OF FATAL INJURY AND ACCIDENTS FOR INFANTS AND**

**CHILDREN!** Never leave children unsupervised with the packaging material. There is a danger of suffocation from the packaging material. Children often underestimate the dangers. Always keep children away from the cordless magnetic lamp.


- This product can be used by children aged 8 years and over, as well as by persons with limited physical, sensory or mental abilities or lacking in experience and knowledge, if they are supervised or have been instructed as to the safe use of the product and understand the resulting hazards. Do not allow children to play with the cordless magnetic lamp. Cleaning and maintenance may not be carried out by children without proper supervision.
- Do not use the cordless magnetic lamp if you notice any defects.
- The light source may only be replaced by the manufacturer, service technician or a similarly qualified person.




### Safety instructions for batteries/rechargeable batteries

- **RISK OF FATAL INJURY!** Keep batteries/rechargeable batteries out of the reach of children. If swallowed, seek medical advice immediately!
- **PLEASE NOTE!** The battery is non-

replaceable. When it is worn out, the entire light must be replaced.

-  **EXPLOSION HAZARD!** Incorrect handling of the integrated rechargeable battery in the magnetic lamps can potentially cause an explosion or a fire.
- If rechargeable batteries are used incorrectly, there is a risk of explosion or of skin burns from escaping battery fluid.
- Never throw rechargeable batteries on a fire. They may explode or cause toxic fumes.
- Do not take rechargeable batteries apart or short-circuit them.
- Charge the battery at normal room temperature (approx. 20 °C).
- Use only an SELV mains adaptor for charging.

### ● Risk of leakage from rechargeable batteries

- Avoid exposing rechargeable batteries to extreme conditions and temperatures, e.g. radiators or direct sunlight.
- Avoid contact with skin, eyes and mucous membranes! In the event of skin contact with battery acid, rinse the affected area immediately with plenty of clean water and seek medical advice immediately!
-  **WEAR PROTECTIVE GLOVES!** Leaking or damaged rechargeable batteries can cause chemical burns if they come into contact with skin. Therefore, wear suitable protective gloves in such cases.
- In the event that of battery leaks, remove battery from the product immediately to avoid damage.

### ● Before first-time use

Check that all package contents are present. Inspect the cordless magnetic lamps **1** and the USB charging cable **9** for any signs of

external damage. If you find any signs of damage, do not use the cordless magnetic lamps. Please contact Customer Service at the address indicated.

Unpack all parts of the product. Remove the packaging material. Keep the packaging in a safe place out of the reach of children. There is a risk of suffocation if children are allowed to play with packaging material.

### ● Assembly and installation

**Please note:** Dispose of all packaging material.

- Take the magnetic holder with the adhesive pad **8** and pull off the protective strip (see Fig. C). Please mount the battery-powered magnetic lights at a maximum distance of 8 cm to the drawer (see Fig. G) so that the infrared sensor **7** is activated.
- Now stick the magnetic holder in the desired position. To ensure good adhesion, make sure the surface is flat, dry and free of grease.
- Fix the cordless magnetic **1** lamp to the magnetic holder **8** with the aid of the integrated magnet **4** in the casing (see Fig. E).

**Please note:** Removing the adhesive pad may cause damage to the surface in some cases. We can accept no liability for such damage. When the battery needs to be recharged, the magnetic lamp can simply be removed from the magnetic holder **8** (see Fig. E).

### ● Charging the battery



#### **RISK OF ELECTRIC SHOCK!**

The cordless magnetic lamps **1** should only be recharged in dry indoor areas using an SELV mains adaptor. Before using the cordless magnetic lamps **1** for the first time, please fully charge the battery. To do so, use the USB charging cable **9** (see Fig. D).



- Plug the USB charging cable supplied [9] into the micro-USB socket [5] on the magnetic lamp (see Fig. F).
- To charge the lamp, connect the USB charging cable [9] to a USB mains adaptor (5 V  $\overline{\text{---}}$ , max. 0.22 A).
- Plug the USB mains adaptor into a power outlet socket.

The charging time is approx. 2-3 hours. The charge indicator [6] remains red until the cordless magnetic lamp is fully charged. As soon as the cordless magnetic lamp [1] is fully charged, the charge indicator [6] shows green. You can then unplug the USB mains adaptor from the power outlet socket and disconnect the USB charging cable [9] from the cordless magnetic lamp [1] (see Fig. F).

## ● Switching the cordless magnetic lamps ON/OFF

- The cordless magnetic lamps can be switched on or off using the ON/OFF/AUTO switch [3].
- The cordless magnetic lamps have two functions: permanently on, and automatically on for 120 seconds. For the permanently on function, slide the ON/OFF/AUTO switch [3] on the side of the lamp to the ON position. Maximum illumination time when fully charged: approx. 3 hours. To switch on light when the drawer is opened, turn the ON/OFF/AUTO button on the side [3] to the "AUTO" position. Upon opening the drawer, the light will come on for 120 seconds. Make sure the infrared sensor [7] is not covered and the distance between the infrared sensor and drawer is no larger than 8 cm. To completely switch off the cordless magnetic lamp, set the ON/OFF/AUTO switch [3] on the side of the lamp to the centre, OFF, position.

## ● Cleaning and storage



### **RISK OF ELECTRIC SHOCK!**

There is a risk of electric shock from parts that carry electric current. Unplug the USB mains adaptor from the power outlet socket before attempting to clean the lamp.



### **RISK OF DAMAGE!**

Cleaning the cordless magnetic lamps and accessories incorrectly could damage them.

- Before cleaning the cordless magnetic lamp, always switch it off and remove the USB charging cable.
- Do not use corrosive cleaning agents, brushes with metal or nylon bristles or not sharp or metallic cleaning implements such as knives, hard spatulas or similar items. They may damage the surfaces.
- Never clean the cordless magnetic lamps or accessories under running water.
- Wipe down the cordless magnetic lamps and accessories with a slightly moistened cloth.
- Wipe the cordless magnetic lamps and accessories completely dry.
- When the cordless magnetic lamp is not in use, store it in a dry place and make sure it is switched off.

## ● Troubleshooting

- = Fault
- ⦿ = Cause
- = Solution
  
- = The lamp does not light up.
- ⦿ = The battery needs charging.
- = Charge the cordless magnetic lamps via the micro-USB socket using the USB charging cable supplied. The charging time is approx. 2-3 hours.

- = The charge indicator does not light up when the lamp is being charged.
- ⦿ = There is no power supply to the cordless magnetic lamps.
- = Please check whether your mains adaptor and the USB charging cable are properly connected.

## ● Disposal



Note the labels on the packaging materials when sorting the waste; they are marked with abbreviations (a) and numbers (b) with the following meanings:

- 1-7: Plastics
- 20-22: Paper and cardboard
- 80-98: Composite materials



You can find out how to dispose of the used product by contacting your local district or city council.



In the interest of environmental protection, when the product has reached the end of its useful life, do not dispose of it as general household waste but have it properly recycled. For information on recycling centres and their opening times, please contact your local council.

Faulty or used batteries must be recycled in accordance with Directive 2006/66/EC and its amendments. Return batteries and/or the product to the local recycling facilities provided.



### **Risk of environmental damage from incorrect disposal of rechargeable batteries!**

Batteries must not be disposed of as general household waste. They may contain toxic heavy metals\* and are subject to special waste treatment. Batteries and rechargeable batteries that are not permanently fixed inside the product must be removed before disposal of the product and disposed of

separately. Please ensure batteries/rechargeable batteries are fully discharged when disposed of! Wherever possible, use rechargeable batteries rather than single-use batteries.

\*) Marked as followed: Cd = cadmium, Hg = mercury, Pb = lead

## ● Warranty

Dear customer, This product comes with a 3-year warranty from the date of purchase. In the event that this product is faulty, you have legal rights against the seller of the product. These statutory rights are not restricted by our warranty as set out below.

### **Warranty terms**

The warranty period begins with the date of purchase. Please keep the original receipt in a safe place. It is required as proof of purchase. If a material or manufacturing defect occurs within three years of the date of purchase, we will repair or replace the product for you free of charge, or refund the purchase price, at our discretion. This warranty service is granted provided that the faulty device and the proof of purchase (receipt) are presented within three years, along with a brief written description of the fault and of when it occurred. If the fault is covered by our warranty, we will return the fixed product or send you a new one. No new warranty period shall begin upon repair or replacement of the product.

### **Warranty period and statutory warranty claims**

The warranty period is not renewed after a warranty service has been granted. This rule shall also apply for any replaced or repaired parts. Any damage or faults that already existed when buying the product must be reported immediately upon unpacking the product. A fee is charged for any repairs that are carried out after the end of the

warranty period.

### **Warranty scope**

The device was carefully manufactured according to the strictest quality guidelines and thoroughly tested before delivery. The warranty applies to material or manufacturing defects. This warranty does not apply to product parts that are subject to normal wear and tear and can therefore be regarded as wearing parts, or damage to fragile parts, such as switches, rechargeable batteries or parts that are made of glass. This warranty is void if the product has been damaged, improperly used or serviced. To ensure proper use, all instructions included in the manual must be followed carefully. All uses and actions that users are discouraged from or warned of in the manual must be avoided under all circumstances. The product is intended for private household use only, and not for commercial activities. The warranty is void, if the product is treated inappropriately, if force is applied, and in the case of any manipulation that is not carried out by our authorised service branch.

### **Warranty processing**

To ensure your request is handled swiftly, please observe the following

#### **Notes:**

- Please have the receipt and the article number (e.g. IAN 123456) ready as proof of purchase for all enquiries.
- Please refer to the type plate on the product, an engraving on the product, the cover of the manual (bottom left) or the sticker on the back or base of the product to find out the product number.
- In the case of any malfunctions or other defects, please call or email the service department indicated below as a first step.
- After your product has been registered as faulty, you can send it to the specified service address, free of charge. Please include the proof of purchase (receipt) and

information about the defect and about when it occurred.

### **● Service**



Service Great Britain  
Tel. : 00800 80040044  
E-Mail: [administration@mynetsend.de](mailto:administration@mynetsend.de)



Service Ireland  
Tel. : 00800 80040044  
E-Mail: [administration@mynetsend.de](mailto:administration@mynetsend.de)

**IAN 384240\_2107**

Please have the receipt and the article number (e.g. IAN 12345) ready as proof of purchase for all enquiries.

You can find an up-to-date version of the operating instructions at:  
[www.citygate24.de](http://www.citygate24.de)

# Akku-Magnetleuchten

## ● Einleitung



Wir beglückwünschen Sie zum Kauf Ihres neuen Produkts. Sie haben sich damit für ein hochwertiges Produkt entschieden. Bitte lesen Sie diese Bedienungsanleitung vollständig und sorgfältig durch. Diese Anleitung gehört zu diesem Produkt und enthält wichtige Hinweise zur Inbetriebnahme und Handhabung. Beachten Sie immer alle Sicherheitshinweise. Sollten Sie Fragen haben oder unsicher in Bezug auf die Handhabung des Produkts sein, setzen Sie sich bitte mit Ihrem Händler oder der Servicestelle in Verbindung. Bewahren Sie diese Anleitung bitte sorgfältig auf und geben Sie sie ggf. an Dritte weiter.

## ● Zeichenerklärung



Bedienungsanleitung lesen!



Ausgabedatum der Bedienungsanleitung (Monat/Jahr)



Herstellungsdatum (Monat/Jahr)



Gleichspannung



Lebens- und Unfallgefahr für Kleinkinder und Kinder!



Warn- und Sicherheitshinweise beachten!



Warungung! Stromschlaggefahr!



Explosionsgefahr!



Schutzhandschuhe tragen!



Dieses Symbol bedeutet, dass das Produkt mit Schutzkleinspannung (SELV / PELV) arbeitet (Schutzklasse III).



Nicht zur Raumbelichtung geeignet



Nur für den Innenraum geeignet



Automatische Auslösung



Universal Serial Bus (USB)



Entsorgen Sie Verpackung und Produkt umweltgerecht!



Umweltschäden durch falsche Entsorgung der Batterien / Akkus!



Verpackung aus FSC-zertifiziertem Mix-Holz



Mit der CE-Kennzeichnung bestätigt der Hersteller, dass dieses Produkt den geltenden europäischen Richtlinien entspricht.



Mit diesem Symbol gekennzeichnete Produkte erfüllen alle anzuwendenden Vorschriften im Wirtschaftsraum des Vereinigten Königreichs von Großbritannien.



Anschrift des Lieferanten

## ● Bestimmungsgemäße Verwendung

Das Produkt eignet sich zur Beleuchtung in Schubladen in einem geschlossenen trockenem Bereich wie Haus, Garage oder Gartenhaus. Die Akku-Magnetleuchten sind besonders anwenderfreundlich konzipiert und einfach zu benutzen. Die Akku-Magnetleuchten ermöglichen Ihnen eine Beleuchtung von wenig belichteten Bereichen, insbesondere dort, wo kein direkter Stromanschluss vorhanden ist. Die Leuchten dürfen nicht während des Ladevorgangs betrieben werden. Die Benutzung des Artikels sollte nur so erfolgen, wie sie in dieser Anleitung erläutert wird. Jede andere Verwendung gilt als nicht bestimmungsgemäß und kann zu Sachschäden oder sogar zu Personenschäden führen. Das Gerät ist nicht für den kommerziellen oder industriellen Gebrauch bestimmt. Nur zur Verwendung in Innenräumen. Nicht zur Raumbeleuchtung geeignet.

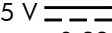
## ● Lieferumfang

3x Akku-Magnetleuchte  
3x Magnethalterung mit Klebepad  
1x USB-Ladekabel  
1x Montage- und Bedienungsanleitung

## ● Teilebeschreibung

- 1 Akku-Magnetleuchten
- 2 LED
- 3 ON-/OFF-/AUTO-Schalter
- 4 Magnet
- 5 Eingang Mikro-USB-Buchse
- 6 Ladeindikation
- 7 Infrarotsensor
- 8 Magnethalterung mit Klebepad
- 9 USB-Ladekabel

## ● Technische Daten

Modellnummer:	970-M
LED-Leuchtmittel:	max. 0,6 W
Farbtemperatur:	4000 Kelvin, neutralweiß
Eingangsspannung USB-Buchse:	5 V  max. 0,22 A
Stromversorgung:	1x 0,33 Ah Li-Ion-Akku 3,7 V (Akku nicht austauschbar)
Abmessungen:	ca. 6,8 x 3 x 1,2 cm
Schutzklasse:	III
Lichtstrom:	ca. 40 lm
Bewegungsmelder:	Infrarot
LED Lebensdauer:	30.000 Stunden

## ● Sicherheitshinweise



### Sicherheitshinweise



### **! WARNUNG!**

### **LEBENS- UND UNFALLGEFAHR FÜR KLEINKINDER UND KINDER!**


Lassen Sie Kinder niemals unbeaufsichtigt mit dem Verpackungsmaterial. Es besteht Erstickungsgefahr durch Verpackungsmaterial. Kinder unterschätzen häufig die Gefahren. Halten Sie Kinder stets von der Akku-Magnetleuchte fern.

- Dieses Produkt kann von Kindern ab 8 Jahren und darüber sowie von Personen mit verringerten physischen, sensorischen oder mentalen Fähigkeiten oder Mangel an Erfahrung und Wissen benutzt werden, wenn sie beaufsichtigt oder bezüglich des sicheren Gebrauchs der Akku-Magnetleuchte angewiesen wurden und die daraus resultierenden Gefahren verstehen. Kinder dürfen nicht mit der Akku-

Magnetleuchte spielen. Reinigung und Benutzerwartung dürfen nicht von Kindern ohne Beaufsichtigung durchgeführt werden.

- Verwenden Sie die Akku-Magnetleuchte nicht, wenn Sie irgendwelche Beschädigungen feststellen.
- Die Lichtquelle dieses Produktes darf nur vom Hersteller oder einem von ihm beauftragten Servicetechniker oder einer vergleichbar qualifizierten Person ersetzt werden.

## **Sicherheitshinweise für Batterien / Akkus**


- **LEBENSGEFAHR!** Halten Sie Batterien/ Akkus außer Reichweite von Kindern. Suchen Sie im Falle eines Verschluckens sofort einen Arzt auf!
- **HINWEIS!** Der Akku ist nicht austauschbar. Wenn er verbraucht ist, muss die gesamte Leuchte entsorgt werden.
-  **EXPLOSIONSGEFAHR!** Unsachgemäßer Umgang mit dem integrierten Akku der Akku-Magnetleuchten kann eine Explosion oder einen Brand verursachen.
- Wenn Sie Akkus unsachgemäß verwenden, besteht die Gefahr von Explosionen oder von Verätzungen durch auslaufende Akkuflüssigkeit.
- Werfen Sie Akkus nicht ins Feuer. Sie können explodieren oder giftige Dämpfe verursachen.
- Nehmen Sie Akkus nicht auseinander und schließen Sie sie nicht kurz.
- Laden Sie den Akku bei normaler Raumtemperatur (ca. 20° C) auf.
- Zum Laden nur einen SELV-sicheren Netzstecker verwenden!

## **Risiko des Auslaufens von Batterien / Akkus**

- Vermeiden Sie extreme Bedingungen und Temperaturen, die auf Batterien/ Akkus



einwirken können, z. B. auf Heizkörpern/ direkte Sonneneinstrahlung.

- Vermeiden Sie den Kontakt mit Haut, Augen und Schleimhäuten! Spülen Sie bei Kontakt mit Batterie Säure die betroffenen Stellen sofort mit reichlich klarem Wasser und suchen Sie umgehend einen Arzt auf!

-  **SCHUTZHANDSCHUHE TRAGEN!** Ausgelaufene oder beschädigte Batterien/ Akkus können bei Berührung mit der Haut Verätzungen verursachen. Tragen Sie deshalb in diesem Fall geeignete Schutzhandschuhe.



- Im Falle eines Auslaufens der Batterien entfernen Sie diese sofort aus dem Produkt, um Beschädigungen zu vermeiden.

## **Vor der ersten Inbetriebnahme**

Prüfen Sie, ob die Lieferung vollständig ist. Überprüfen Sie die Akku-Magnetleuchten  und das USB-Ladekabel  auf eventuelle äußerliche Beschädigungen. Im Falle von Beschädigungen benutzen Sie die Akku-Magnetleuchten nicht. Wenden Sie sich an die aufgeführte Service-Adresse. Packen Sie alle Teile des Geräts aus. Entfernen Sie das Verpackungsmaterial. Verwahren Sie die Verpackung vor dem Zugriff von Kindern sicher auf. Beim Spielen mit Verpackungsmaterial besteht Erstickungsgefahr!

## **Montage**

**Hinweis:** Entfernen Sie vollständig das Verpackungsmaterial.

- Nehmen Sie die Magnethalterung mit dem Klebepad  und ziehen Sie den Schutzstreifen ab (siehe Abb. C). Bitte montieren Sie die Akku-Magnetleuchten mit einem Abstand von max. 8 cm zur Schublade (siehe Abb. G), damit der Infrarotsensor  reagiert.

- Kleben Sie die Magnethalterung nun an die gewünschte Stelle. Um den Halt sicherzustellen, prüfen Sie, ob der Untergrund trocken, glatt und fettfrei ist.
- Befestigen Sie die Akku-Magnetleuchten **1** mit Hilfe des im Gehäuse integrierten Magneten **4** auf der Magnethalterung **8** (siehe Abb. E).

**Hinweis:** Beim Entfernen des Klebepads können Schäden auf der Oberfläche entstehen. Hierfür übernehmen wir keine Haftung! Zum Wiederaufladen des Akkus kann die Akku-Magnetleuchte einfach von der Magnethalterung **8** abgenommen werden (siehe Abb. E).

## ● Akku aufladen



### **STROMSCHLAGGEFAHR!**

Laden Sie die Akku-Magnetleuchten **1** nur in trockenen Innenräumen und mit einem SELV-sicheren Netzstecker auf. Bevor Sie die Akku-Magnetleuchten **1** das erste Mal verwenden, laden Sie bitte den Akku vollständig auf. Bitte benutzen Sie hierzu nur das mitgelieferte USB-Ladekabel **9** (siehe Abb. D).

- Verbinden Sie das mitgelieferte USB-Ladekabel **9** mit der Mikro-USB-Buchse **5** an der Magnetleuchte (siehe Abb. F).
- Zum Aufladen das USB-Ladekabel **9** mit einem USB-Netzadapter (5 V  $\overline{\text{---}}$ , max. 0,22 A) verbinden.
- Stecken Sie den USB-Netzadapter in die Steckdose.

Die Ladezeit beträgt ca. 2-3 Stunden. Solange die Akku-Magnetleuchten noch nicht vollständig geladen ist, leuchtet die Ladeindikation **6** rot. Sobald die Akku-Magnetleuchten **1** vollständig geladen ist, leuchtet die Ladeindikation **6** grün. Ziehen Sie dann den USB-Netzadapter aus der Steckdose und trennen Sie die Verbindung USB-Ladekabel **9**/Akku-Magnetleuchten **1** (siehe Abb. F).

## ● Akku-Magnetleuchten AN/AUS

- Mit dem ON-/OFF-/AUTO-Schalter **3** können die Akku-Magnetleuchten ein-/ausgeschaltet werden.
- Die Akku-Magnetleuchten haben zwei Funktionen: Dauerlicht an, 120 Sekunden. Für das Dauerlicht schieben Sie den seitlichen ON-/OFF-/AUTO-Schalter **3** auf Position „ON“. Maximale Leuchtdauer bei optimaler Aufladung: 3 Stunden. Für das Licht bei geöffneten Schubladen schieben Sie den seitlichen ON-/OFF-/AUTO-Schalter **3** auf Position „AUTO“. Sobald Sie die Schublade öffnen, schaltet sich das Licht ein und leuchtet für 120 Sekunden. Der Infrarotsensor **7** darf nicht verdeckt sein und es darf maximal ein Abstand von 8 cm vom Infrarotsensor zur Schublade vorhanden sein. Um die Akku-Magnetleuchten komplett auszuschalten, stellen Sie den seitlichen ON-/OFF-/AUTO-Schalter **3** in die mittlere Position „OFF“.

## ● Reinigung und Lagerung



### **STROMSCHLAGGEFAHR!**

Es besteht die Gefahr eines elektrischen Schlags durch stromführende Teile. Ziehen Sie den USB-Netzadapter aus der Steckdose, bevor Sie eine Reinigung vornehmen.



### **BESCHÄDIGUNGSGEFAHR!**

Unsachgemäße Reinigung kann die Akku-Magnetleuchten und das Zubehör beschädigen.

- Schalten Sie die Akku-Magnetleuchten vor jeder Reinigung aus und entfernen Sie das USB-Ladekabel bevor Sie die Akku-Magnetleuchte reinigen.
- Verwenden Sie keine aggressiven Reinigungsmittel, Bürsten mit Metall- oder Nylonborsten sowie keine scharfen oder metallischen Reinigungsgegenstände wie

Messer, harte Spachtel und dergleichen. Diese können die Oberflächen beschädigen.

- Reinigen Sie die Akku-Magnetleuchten und das Zubehör nie unter fließendem Wasser.
- Wischen Sie die Akku-Magnetleuchten und das Zubehör mit einem leicht angefeuchteten Tuch ab.
- Wischen Sie die Akku-Magnetleuchten und das Zubehör vollständig trocken.
- Lagern Sie die Akku-Magnetleuchte bei Nichtverwendung an einem trockenen Ort und achten Sie darauf, dass sie ausgeschaltet ist.

## ● Fehlerbehebung

- = Fehler
- ⊙ = Ursache
- = Lösung
  
- = Das Produkt leuchtet nicht.
- ⊙ = Der Akku muss aufgeladen werden.
- = Laden Sie die Akku-Magnetleuchten über die Mikro-USB-Buchse mit dem mitgelieferten USB-Ladekabel auf. Die Ladezeit beträgt ca. 2-3 Stunden.
  
- = Die Ladeindikation leuchtet nicht während des Ladevorganges.
- ⊙ = Die Akku-Magnetleuchten haben keine Stromzufuhr.
- = Bitte überprüfen Sie, ob Ihr Netzadapter und das USB-Ladekabel korrekt eingesteckt sind.

## ● Entsorgung



Beachten Sie die Kennzeichnung der Verpackungsmaterialien bei der Abfalltrennung, diese sind gekennzeichnet mit Abkürzungen (a) und Nummern (b) mit folgender Bedeutung:  
1–7: Kunststoffe  
20–22: Papier und Pappe



80–98: Verbundstoffe  
Möglichkeiten zur Entsorgung des ausgedienten Produkts erfahren Sie bei Ihrer Gemeinde- oder Stadtverwaltung.



Werfen Sie Ihr Produkt, wenn es ausgedient hat, im Interesse des Umweltschutzes nicht in den Hausmüll, sondern führen Sie es einer fachgerechten Entsorgung zu. Über Sammelstellen und deren Öffnungszeiten können Sie sich bei Ihrer zuständigen Verwaltung informieren.

Defekte oder verbrauchte Akkus müssen gemäß Richtlinie 2006/66/EG und deren Änderungen recycelt werden. Geben Sie Akkus und/oder das Produkt über die angebotenen Sammeleinrichtungen zurück.



### **Umweltschäden durch falsche Entsorgung der Akkus!**

Akkus dürfen nicht über den Hausmüll entsorgt werden. Sie können giftige Schwermetalle\*) enthalten und unterliegen der Sondermüllbehandlung. Batterien und Akkus, die nicht fest im Gerät verbaut sind, müssen vor der Entsorgung entfernt und separat entsorgt werden. Batterien und Akkus bitte nur in entladene Zustand abgeben! Verwenden Sie wenn möglich Akkus anstelle von Einwegbatterien.  
\*) gekennzeichnet mit: Cd = Kadmium, Hg = Quecksilber, Pb = Blei

**Zur Demontage der Akkus sowie LEDs finden Sie eine Bedienungsanleitung auf unserer Homepage:  
[www.citygate24.de](http://www.citygate24.de)**

## ● Garantie

Sehr geehrte Kundin, sehr geehrter Kunde, Sie erhalten auf dieses Gerät 3 Jahre Garantie ab Kaufdatum. Im Falle von Produktmängeln stehen Ihnen gegenüber



dem Verkäufer des Produkts gesetzliche Rechte zu. Diese gesetzlichen Rechte werden durch unsere im Folgenden dargestellten Garantiebedingungen nicht eingeschränkt.

### **Garantiebedingungen**

Die Garantiefrist beginnt mit dem Kaufdatum. Bitte bewahren Sie den Original Kassenbon gut auf. Dieser wird als Nachweis für den Kauf benötigt. Tritt innerhalb von drei Jahren ab dem Kaufdatum dieses Produkts ein Material- oder Fabrikationsfehler auf, wird das Produkt von uns – nach unserer Wahl – für Sie kostenlos repariert, ersetzt, oder der Kaufpreis erstattet. Diese Garantieleistung setzt voraus, dass innerhalb der Drei-Jahres-Frist das defekte Gerät und der Kaufbeleg (Kassenbon) vorgelegt und schriftlich kurz beschrieben wird, worin der Mangel besteht und wann er aufgetreten ist. Wenn der Defekt durch unsere Garantie gedeckt wird, erhalten Sie das reparierte oder ein neues Produkt zurück. Mit Reparatur oder Austausch des Produkts beginnt kein neuer Garantiezeitraum.

### **Garantiezeit und gesetzliche Mängelansprüche**

Die Garantiezeit wird durch die Gewährleistung nicht verlängert. Dies gilt auch für ersetzte und reparierte Teile. Eventuell schon beim Kauf vorhandene Schäden und Mängel müssen sofort nach dem Auspacken gemeldet werden. Nach Ablauf der Garantiezeit anfallende Reparaturen sind kostenpflichtig.

### **Garantieumfang**

Das Gerät wurde nach strengen Qualitätsrichtlinien sorgfältig produziert und vor Anlieferung gewissenhaft geprüft. Die Garantieleistung gilt für Material- oder Fabrikationsfehler. Diese Garantie erstreckt sich nicht auf Produktteile, die normaler Abnutzung ausgesetzt sind und daher als

Verschleißteile angesehen werden können oder auf Beschädigungen an zerbrechlichen Teilen, z. B. Schalter, Akkus oder aus Glas gefertigte Teile. Diese Garantie verfällt, wenn das Produkt beschädigt, nicht sachgemäß benutzt oder gewartet wurde. Für eine sachgemäße Benutzung des Produkts sind alle in der Bedienungsanleitung aufgeführten Anweisungen genau einzuhalten. Verwendungszwecke und Handlungen, von denen in der Bedienungsanleitung abgeraten oder vor denen gewarnt wird, sind unbedingt zu vermeiden. Das Produkt ist lediglich für den privaten und nicht für den gewerblichen Gebrauch bestimmt. Bei missbräuchlicher und unsachgemäßer Behandlung, Gewaltanwendung und bei Eingriffen, die nicht von unserer autorisierten Service-Niederlassung vorgenommen wurden, erlischt die Garantie.

### **Abwicklung im Garantiefall**

Um eine schnelle Bearbeitung Ihres Anliegens zu gewährleisten, folgen Sie bitte den folgenden

#### **Hinweisen:**

- Bitte halten Sie für alle Anfragen den Kassenbon und die Artikelnummer (z. B. IAN 123456) als Nachweis für den Kauf bereit.
- Die Artikelnummer entnehmen Sie bitte dem Typenschild am Produkt, einer Gravur am Produkt, dem Titelblatt Ihrer Anleitung (unten links) oder dem Aufkleber auf der Rück- oder Unterseite des Produktes.
- Sollten Funktionsfehler oder sonstige Mängel auftreten, kontaktieren Sie zunächst die nachfolgend benannte Service-Abteilung telefonisch oder per E-Mail.
- Ein als defekt erfasstes Produkt können Sie dann unter Beifügung des Kaufbelegs (Kassenbon) und der Angabe, worin der Mangel besteht und wann er aufgetreten ist, für Sie portofrei an die Ihnen mitgeteilte Service-Anschrift übersenden.

## ● Service

**DE**

Service Deutschland  
Tel.: 00800 80040044  
E-Mail: [administration@mynetsend.de](mailto:administration@mynetsend.de)

**AT**

Service Österreich  
Tel.: 00800 80040044  
E-Mail: [administration@mynetsend.de](mailto:administration@mynetsend.de)

**CH**

Service Schweiz  
Tel.: 00800 80040044  
E-Mail: [administration@mynetsend.de](mailto:administration@mynetsend.de)

**IAN 384240\_2107**


Bitte halten Sie für alle Anfragen den Kassenbon und die Artikelnummer (z. B. IAN 123456) als Nachweis für den Kauf bereit.


Eine aktuelle Version der Bedienungsanleitung finden Sie unter: [www.citygate24.de](http://www.citygate24.de)



**citygate24 GmbH**

Lange Mühren 1  
20095 Hamburg  
GERMANY

 12/2021  
Model No.: 970-M

 03/2022

IAN 384240\_2107

6 