



CORDLESS MAGNETIC LIGHTS

GB CY

CORDLESS MAGNETIC LIGHTS

Operating and safety information

RS

AKU MAGNETNE LAMPE

Uputstva za rukovanje i bezbednost

GR CY

ΕΠΑΝΑΦΟΡΤΙΖΟΜΕΝΑ ΦΩΤΑ ΜΕ ΜΑΓΝΗΤΗ

Οδηγίες λειτουργίας και ασφαλείας

DE AT CH

AKKU-MAGNETLEUCHTEN

Bedienungs- und Sicherheitshinweise

IAN 384240_2107



GB **CY**

Before you start reading, please fold out the illustrations page and familiarise yourself with all of the item's functions.

RS

Pre nego što počnete da čitate rasklopite stranicu sa slikama i upoznaćite se sa svim funkcijama ovog proizvoda.

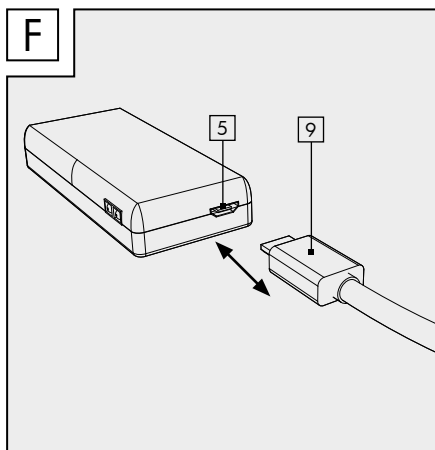
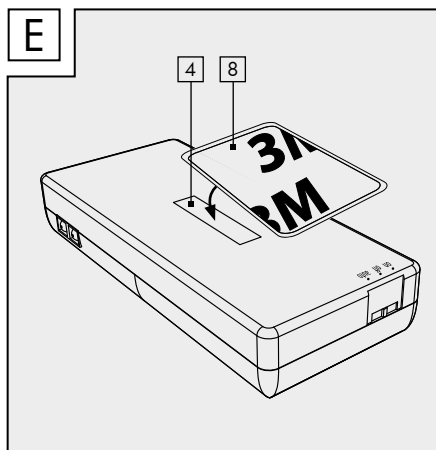
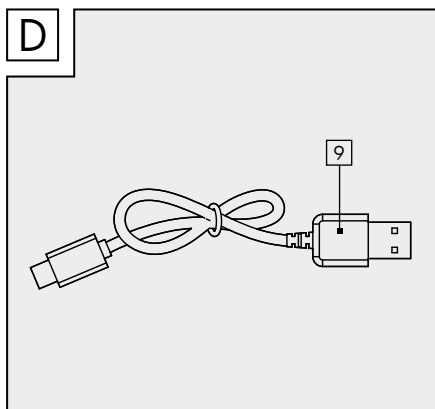
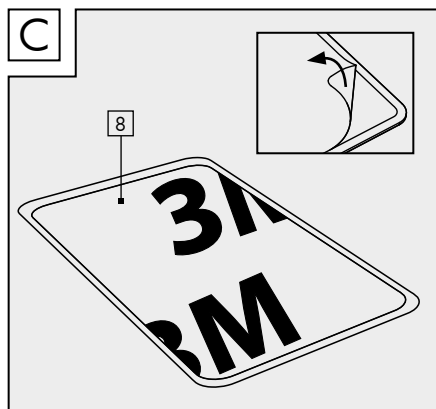
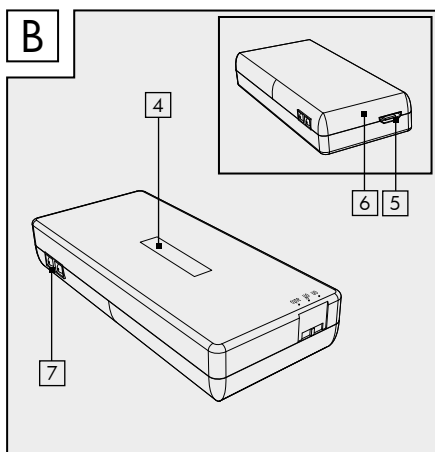
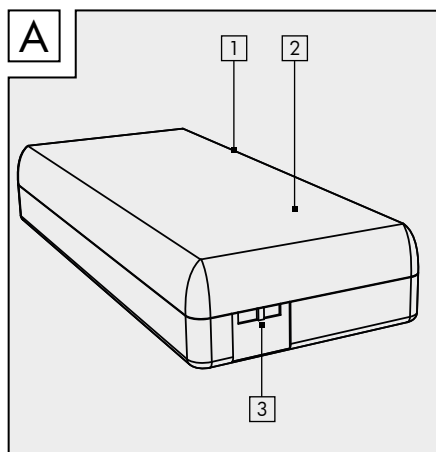
GR **CY**

Πριν διαβάσετε, ξεδιπλώστε τη σελίδα με τις εικόνες και στη συνέχεια εξοικειωθείτε με όλες τις λειτουργίες του άρθρου.

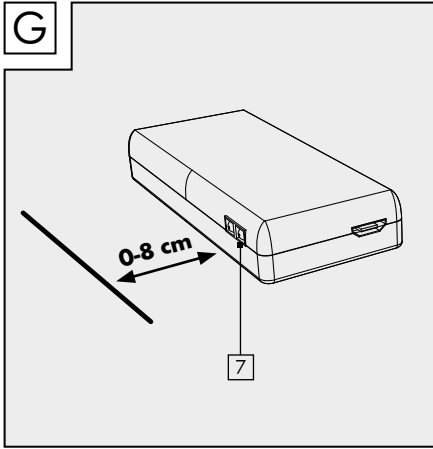
DE **AT** **CH**

Klappen Sie vor dem Lesen die Seite mit den Abbildungen aus und machen Sie sich anschließend mit allen Funktionen des Artikels vertraut.

GB/CY	Operating and safety information	page	6
RS	Uputstva za rukovanje i bezbednost	strana	12
GR/CY	Οδηγίες λειτουργίας και ασφαλείας	σελίδα	19
DE/AT/CH	Bedienungs- und Sicherheitshinweise	Seite	25



G



GB	CY	
Introduction		6
Explanation of symbols		6
Intended use		6
Specifications supplied		7
Description of parts		7
Technical data		7
Safety information		7
Risk of leakage from rechargeable batteries		8
Before first-time use		8
Assembly and installation		8
Charging the battery		8
Switching the cordless magnetic lamps ON/OFF		9
Cleaning and storage		9
Troubleshooting		9
Disposal		10
Warranty		10
Service		11


RS		
Uvod		12
Objašnjenje znakova		12
Namena		12
Opis isporuke		13
Opis delova		13
Tehnički podaci		13
Bezbednosne napomene		13
Opasnost od isticanja tečnosti iz punjivih baterija		14
Pre prvog puštanja u rad		14
Montaža		14
Punjenje punjive baterije		14
Uključivanje i isključivanje aku magnetnih lampi		15
Čišćenje i skladištenje		15
Otklanjanje smetnji		15
Odlaganje u otpad		16
Garancija		16
Servis		17

GR	CY	
Εισαγωγή		19
Επεξήγηση συμβόλων		19
Προβλεπόμενη χρήση		19
Περιεχόμενο συσκευασίας		20
Περιγραφή εξαρτημάτων		20
Τεχνικά Στοιχεία		20
Υποδείξεις ασφαλείας		20
Κίνδυνος διαρροής συσσωρευτών		21
Πριν την πρώτη έναρξη λειτουργίας		21
Συναρμολόγηση		21
Φόρτιση συσσωρευτή		22
Ενεργοποίηση/απενεργοποίηση επαναφορτιζόμενων μαγνητικών φωτιστικών		22
Καθαρισμός και αποθήκευση		22
Αντιμέτωπιση βλαβών		23
Απόρριψη		23
Εγγύηση		24
Σέρβις		25

DE	AT	CH	
Einleitung			25
Zeichenerklärung			25
Bestimmungsgemäße Verwendung			26
Lieferumfang			26
Teilebeschreibung			26
Technische Daten			26
Sicherheitshinweise			27
Risiko des Auslaufens von Batterien/ Akkus			27
Vor der ersten Inbetriebnahme			28
Montage			28
Akku aufladen			28
Akku-Magnetleuchten AN/AUS			28
Reinigung und Lagerung			29
Fehlerbehebung			29
Entsorgung			29
Garantie			30
Service			31

Cordless magnetic lamps

● Introduction

 Congratulations on the purchase of your new product. You have chosen a high-quality product. Please read these operating instructions thoroughly and carefully. These instructions are an essential part of the product and contain important information on first-time use and handling. Always observe all safety instructions. If you have any questions or are unsure how to operate the product, please contact your retailer or service centre. Please keep this manual in a safe place and pass it on to third parties where necessary.

● Explanation of symbols



Read the operating instructions!



Issue date of instruction manual (month/year)



Date of manufacture (month/year)



Direct current



Risk of fatal injury and accidents for infants and children!



Observe warning and safety instructions!



Risk of electric shock!



Explosion hazard!



Wear protective gloves!



This symbol indicates that the product operates with safety extra-low voltage (SELV/PELV, protection class III).



Not suitable for indoor lighting



Suitable for indoor use only



Automatic activation



Universal Serial Bus (USB)



Dispose of packaging and product in an environmentally friendly manner!



Risk of environmental damage from incorrect disposal of batteries/rechargeable batteries!



Packaging made of FSC-certified wood mix



With the CE label, the manufacturer confirms that this electrical device complies with the applicable European directives.



Products marked with this symbol comply with all applicable requirements in the economic area of the Republic of Serbia.

● Intended use

The product is suitable for lighting drawers in a dry, indoor area, such as inside a house, garage or garden shed. These cordless magnetic lamps are especially user-friendly in design and easy to use. These cordless magnetic lamps enable you to illuminate poorly lit areas, especially in places where there is no direct mains power supply. These lamps must not be operated while being charged. These articles should only be used as explained in these instructions. Any other use is considered use other than intended and may cause property damage or personal injury. These products

are not intended for commercial or industrial use. For use in indoor areas only. Not suitable for indoor lighting.

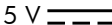
● Specifications supplied

- 3 cordless magnetic lamps
- 3 magnetic holders with adhesive pads
- 1 USB charging cable
- 1 assembly and operating manual

● Description of parts

- 1 Cordless magnetic lamps
- 2 LED
- 3 ON/OFF/AUTO switch
- 4 Magnet
- 5 Micro-USB input socket
- 6 Charge indicator
- 7 Infrared sensor
- 8 Magnetic holder with adhesive pad
- 9 USB charging cable

● Technical data

Model number:	970-M
LED lamp	Max. 0.6 W
Colour temperature:	4000 kelvin, neutral white
USB socket input voltage:	5 V  Max. 0.22 A
Power supply:	1 x 0.33 Ah Li-ion battery, 3.7 V Battery is not replaceable
Dimensions:	approx. 6.8 x 3 x 1.2 cm
Protection class:	III
Luminous flux:	approx. 40 lm
Motion detector:	Infrared
LED service life:	30,000 hours

● Safety information



Safety information



⚠ WARNING!

RISK OF FATAL INJURY AND ACCIDENTS FOR INFANTS AND

CHILDREN! Never leave children unsupervised with the packaging material. There is a danger of suffocation from the packaging material. Children often underestimate the dangers. Always keep children away from the cordless magnetic lamp.

- This product can be used by children aged 8 years and over, as well as by persons with limited physical, sensory or mental abilities or lacking in experience and knowledge, if they are supervised or have been instructed as to the safe use of the product and understand the resulting hazards. Do not allow children to play with the cordless magnetic lamp. Cleaning and maintenance may not be carried out by children without proper supervision.
- Do not use the cordless magnetic lamp if you notice any defects.
- The light source may only be replaced by the manufacturer, service technician or a similarly qualified person.



Safety instructions for batteries/rechargeable batteries

- **RISK OF FATAL INJURY!** Keep batteries/rechargeable batteries out of the reach of children. If swallowed, seek medical advice immediately!
- **PLEASE NOTE!** The battery is non-replaceable. When it is worn out, the entire light must be replaced.
- **EXPLOSION HAZARD!** Incorrect handling of the integrated rechargeable battery in the




magnetic lamps can potentially cause an explosion or a fire.

- If rechargeable batteries are used incorrectly, there is a risk of explosion or of skin burns from escaping battery fluid.
- Never throw rechargeable batteries on a fire. They may explode or cause toxic fumes.
- Do not take rechargeable batteries apart or short-circuit them.
- Charge the battery at normal room temperature (approx. 20 °C).
- Use only an SELV mains adaptor for charging.

● **Risk of leakage from rechargeable batteries**

- Avoid exposing rechargeable batteries to extreme conditions and temperatures, e.g. radiators or direct sunlight.
- Avoid contact with skin, eyes and mucous membranes! In the event of skin contact with battery acid, rinse the affected area immediately with plenty of clean water and seek medical advice immediately!

-  **WEAR PROTECTIVE GLOVES!** Leaking or damaged rechargeable batteries can cause chemical burns if they come into contact with skin. Therefore, wear suitable protective gloves in such cases.

- In the event that of battery leaks, remove battery from the product immediately to avoid damage.

● **Before first-time use**

Check that all package contents are present. Inspect the cordless magnetic lamps **1** and the USB charging cable **9** for any signs of external damage. If you find any signs of damage, do not use the cordless magnetic lamps. Please contact Customer Service at the address indicated.

Unpack all parts of the product. Remove the

packaging material. Keep the packaging in a safe place out of the reach of children.

There is a risk of suffocation if children are allowed to play with packaging material.

● **Assembly and installation**

Please note: Dispose of all packaging material.

- Take the magnetic holder with the adhesive pad **8** and pull off the protective strip (see Fig. C). Please mount the battery-powered magnetic lights at a maximum distance of 8 cm to the drawer (see Fig. G) so that the infrared sensor **7** is activated.
- Now stick the magnetic holder in the desired position. To ensure good adhesion, make sure the surface is flat, dry and free of grease.
- Fix the cordless magnetic **1** lamp to the magnetic holder **8** with the aid of the integrated magnet **4** in the casing (see Fig. E).

Please note: Removing the adhesive pad may cause damage to the surface in some cases. We can accept no liability for such damage. When the battery needs to be recharged, the magnetic lamp can simply be removed from the magnetic holder **8** (see Fig. E).

● **Charging the battery**



RISK OF ELECTRIC SHOCK!

The cordless magnetic lamps **1** should only be recharged in dry indoor areas using an SELV mains adaptor. Before using the cordless magnetic lamps **1** for the first time, please fully charge the battery. To do so, use the USB charging cable supplied **9** (see Fig. D).

- Plug the USB charging cable supplied **9** into the micro-USB socket **5** on the magnetic lamp (see Fig. F).
- To charge the lamp, connect the USB charging cable **9** to a USB mains adaptor

(5 V $\overline{\text{---}}$, max. 0.22 A).

- Plug the USB mains adaptor into a power outlet socket.

The charging time is approx. 2-3 hours. The charge indicator [6] remains red until the cordless magnetic lamp is fully charged. As soon as the cordless magnetic lamp [1] is fully charged, the charge indicator [6] shows green. You can then unplug the USB mains adaptor from the power outlet socket and disconnect the USB charging cable [9] from the cordless magnetic lamp [1] (see Fig. F).

● Switching the cordless magnetic lamps ON/OFF

- The cordless magnetic lamps can be switched on or off using the ON/OFF/AUTO switch [3].
- The cordless magnetic lamps have two functions: permanently on, and automatically on for 120 seconds. For the permanently on function, slide the ON/OFF/AUTO switch [3] on the side of the lamp to the ON position. Maximum illumination time when fully charged: approx. 3 hours. To switch on light when the drawer is opened, turn the ON/OFF/AUTO button on the side [3] to the "AUTO" position. Upon opening the drawer, the light will come on for 120 seconds. Make sure the infrared sensor [7] is not covered and the distance between the infrared sensor and drawer is no larger than 8 cm. To completely switch off the cordless magnetic lamp, set the ON/OFF/AUTO switch [3] on the side of the lamp to the centre, OFF, position.

● Cleaning and storage



RISK OF ELECTRIC SHOCK!

There is a risk of electric shock from parts that carry electric current.

Unplug the USB mains adapter from the power outlet socket before attempting to

clean the lamp.



RISK OF DAMAGE!

Cleaning the cordless magnetic lamps and accessories incorrectly could damage them.

- Before cleaning the cordless magnetic lamp, always switch it off and remove the USB charging cable.
- Do not use corrosive cleaning agents, brushes with metal or nylon bristles or not sharp or metallic cleaning implements such as knives, hard spatulas or similar items. They may damage the surfaces.
- Never clean the cordless magnetic lamps or accessories under running water.
- Wipe down the cordless magnetic lamps and accessories with a slightly moistened cloth.
- Wipe the cordless magnetic lamps and accessories completely dry.
- When the cordless magnetic lamp is not in use, store it in a dry place and make sure it is switched off.

● Troubleshooting

- = Fault
- = Cause
- = Solution

- = The lamp does not light up.
- = The battery needs charging.
- = Charge the cordless magnetic lamps via the micro-USB socket using the USB charging cable supplied. The charging time is approx. 2-3 hours.
- = The charge indicator does not light up when the lamp is being charged.
- = There is no power supply to the cordless magnetic lamps.
- = Please check whether your mains adaptor and the USB charging cable are properly connected.

● Disposal



Note the labels on the packaging materials when sorting the waste; they are marked with abbreviations (a) and numbers (b) with the following meanings:

- 1-7: Plastics
- 20-22: Paper and cardboard
- 80-98: Composite materials



You can find out how to dispose of the used product by contacting your local district or city council.



In the interest of environmental protection, when the product has reached the end of its useful life, do not dispose of it as general household waste but have it properly recycled. For information on recycling centres and their opening times, please contact your local council.

Faulty or used batteries must be recycled in accordance with Directive 2006/66/EC and its amendments. Return batteries and/or the product to the local recycling facilities provided.



Risk of environmental damage from incorrect disposal of rechargeable batteries!

Batteries must not be disposed of as general household waste. They may contain toxic heavy metals* and are subject to special waste treatment. Batteries and rechargeable batteries that are not permanently fixed inside the product must be removed before disposal of the product and disposed of separately. Please ensure batteries/rechargeable batteries are fully discharged when disposed of! Wherever possible, use rechargeable batteries rather than single-use batteries.

*) Marked as followed: Cd = cadmium, Hg = mercury, Pb = lead

● Warranty

Dear customer, This product comes with a 3-year warranty from the date of purchase. In the event that this product is faulty, you have legal rights against the seller of the product. These statutory rights are not restricted by our warranty as set out below.

Warranty terms

The warranty period begins with the date of purchase. Please keep the original receipt in a safe place. It is required as proof of purchase. If a material or manufacturing defect occurs within three years of the date of purchase, we will repair or replace the product for you free of charge, or refund the purchase price, at our discretion. This warranty service is granted provided that the faulty device and the proof of purchase (receipt) are presented within three years, along with a brief written description of the fault and of when it occurred. If the fault is covered by our warranty, we will return the fixed product or send you a new one. No new warranty period shall begin upon repair or replacement of the product.

Warranty period and statutory warranty claims

The warranty period is not renewed after a warranty service has been granted. This rule shall also apply for any replaced or repaired parts. Any damage or faults that already existed when buying the product must be reported immediately upon unpacking the product. A fee is charged for any repairs that are carried out after the end of the warranty period.

Warranty scope

The device was carefully manufactured according to the strictest quality guidelines and thoroughly tested before delivery. The warranty applies to material or manufacturing defects. This warranty does

not apply to product parts that are subject to normal wear and tear and can therefore be regarded as wearing parts, or damage to fragile parts, such as switches, rechargeable batteries or parts that are made of glass. This warranty is void if the product has been damaged, improperly used or serviced. To ensure proper use, all instructions included in the manual must be followed carefully. All uses and actions that users are discouraged from or warned of in the manual must be avoided under all circumstances. The product is intended for private household use only, and not for commercial activities. The warranty is void, if the product is treated inappropriately, if force is applied, and in the case of any manipulation that is not carried out by our authorised service branch.

Warranty processing

To ensure your request is handled swiftly, please observe the following

Notes:

- Please have the receipt and the article number (e.g. IAN 123456) ready as proof of purchase for all enquiries.
- Please refer to the type plate on the product, an engraving on the product, the cover of the manual (bottom left) or the sticker on the back or base of the product to find out the product number.
- In the case of any malfunctions or other defects, please call or email the service department indicated below as a first step.
- After your product has been registered as faulty, you can send it to the specified service address, free of charge. Please include the proof of purchase (receipt) and information about the defect and about when it occurred.

● **Service**



Service Great Britain
Tel.: 00800 80040044
E-Mail: administration@mynetsend.de



Service Cyprus
Tel. : 00800 80040044
E-Mail: administration@mynetsend.de


IAN 384240_2107

Please have the receipt and the article number (e.g. IAN 12345) ready as proof of purchase for all enquiries.

You can find an up-to-date version of the operating instructions at:
www.citygate24.de

Aku magnetne lampe

● Uvod

 Čestitamo Vam na kupovini novog proizvoda. Odlučili ste se za veoma kvalitetan proizvod. Potrebno je da pažljivo pročitate kompletno uputstvo za rukovanje. Ovo uputstvo je sastavni deo proizvoda i sadrži važne instrukcije za puštanje u rad i rukovanje. Uvek se pridržavajte svih bezbednosnih napomena. Ako imate bilo kakvih pitanja ili niste sigurni u rukovanje proizvodom, obratite se prodavcu ili servisnom centru. Pažljivo čuvajte ovo uputstvo i po potrebi ga prosledite drugima.

● Objašnjenje znakova



Pročitati uputstvo za rukovanje!



Datum izdavanja uputstva za upotrebu (mesec/godina)



Datum proizvodnje (mesec/godina)



Jednosmerni napon



Opasnost po život i opasnost od nesreća po manju i veću decu!



Voditi računa o upozorenjima i bezbednosnim napomenama!



Opasnost od strujnog udara!



Opasnost od eksplozije!



Nositi zaštitne rukavice!



Ovaj simbol znači da proizvod radi sa niskim naponom (SELV/PELV) (klasa zaštite III).



Nije pogodno za osvetljavanje prostorija



Pogodno samo za zatvoren prostor



Automatsko aktiviranje



Universal Serial Bus (USB)



Ambalažu i proizvod odložite na ekološki prihvatljiv način!



Pogrešno odlaganje baterija/punjivih baterija je štetno po životnu sredinu!



Ambalaža od mešovitog drveta sa FSC sertifikatom



Oznakom CE proizvođač potvrđuje da je ovaj uređaj usklađen sa važećim evropskim direktivama.



Proizvodi koji su označeni ovim simbolom zadovoljavaju sve važeće propise unutar ekonomskog prostora Republike Srbije.

● Namena

Proizvod je pogodan za osvetljavanje u fiokama u zatvorenim suvim oblastima, kao što su kuća, garaža ili šupa. Aku magnetne lampe su veoma jednostavno koncipirane i lako se koriste. Aku magnetne lampe vam omogućavaju osvetljavanje manje osvetljenih područja, a posebno tamo gde ne postoji direktan strujni priključak. Lampe se ne smeju uključivati za vreme punjenja. Proizvod treba koristiti samo kao što je opisano u ovom uputstvu. Svaka druga upotreba smatra se nenamenskom i može dovesti do materijalnih šteta, pa čak i do telesnih povreda. Uređaj nije predviđen za komercijalnu ili industrijsku upotrebu. Koristiti samo u zatvorenim prostorijama. Nije pogodno za osvetljavanje prostorija.

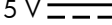
● Obim isporuke

3x aku magnetna lampa
3x magnetni držač sa lepljivom trakom
1x USB kabl za punjenje
1x uputstvo za montažu i rukovanje

● Opis delova

- 1 Aku magnetne lampe
- 2 LED lampica
- 3 Prekidač ON/OFF/AUTO
- 4 Magnet
- 5 Ulazna Micro-USB utičnica
- 6 Indikator punjenja
- 7 Infracrveni senzor
- 8 Magnetni držač sa lepljivom trakom
- 9 USB kabl za punjenje

● Tehnički podaci

Broj modela: 970-M
LED sijalica maks. 0,6 W
Temperatura boje: 4000 Kelvina, neutralno bela
Ulazni napon USB utičnice: 5 V 
maks. 0,22 A
1 x 0,33 Ah
Li-jonska punjiva baterija 3,7 V
Punjiva baterija ne može da se zameni
Strujno napajanje:
Dimenzije: Oko 6,8 x 3 x 1,2 cm
Klasa zaštite: III
Struja punjenja: Oko 40 lm
Detektor kretanja: Infracrveni
Vek trajanja LED sijalice: 30.000 sati

● Bezbednosne napomene



Bezbednosne napomene



UPOZORENJE!


OPASNOST PO ŽIVOT I OPASNOST OD NESREĆA PO

MANJU I VEĆU DECU! Nikada nemojte da ostavljate decu bez nadzora sa ambalažnim materijalom. Postoji opasnost od gušenja ambalažnim materijalom. Deca često potcenjuju opasnosti. Udaljite decu od aku magnetne lampe.

- Ovaj proizvod mogu koristiti deca starija od 8 godina, kao i osobe sa smanjenim fizičkim, senzoričkim ili mentalnim sposobnostima, ili osobe sa nedostatkom iskustva i znanja, ukoliko su pod nadzorom ili su upućene u bezbedno korišćenje proizvoda i razumeju opasnosti koje iz toga proizlaze. Deca ne smeju da se igraju sa aku magnetnom lampom. Čišćenje i održavanje koje obavlja korisnik ne smeju da obavljaju deca ako nisu pod nadzorom.
- Nemojte da koristite aku magnetnu lampu ako ustanovite bilo kakva oštećenja.
- Izvor svetlosti koji se nalazi u ovoj svetiljki sme da zameni samo proizvođač ili njegov ovlašćeni serviser, ili slično kvalifikovano lice.



Bezbednosne napomene za baterije/punjive baterije


- **OPASNOST PO ŽIVOT!** Baterije / punjive baterije držite van domašaja dece. Ako se progutaju, odmah potražite medicinsku pomoć!
- **NAPOMENA!** Punjiva baterija ne može da se zameni. Kada se istroši, mora da se zameni kompletna lampa.
- **OPASNOST OD EKSPLOZIJE!**
 Nepravilno rukovanje ugrađenom punjivom baterijom aku magnetne

lampe može da dovede do eksplozije ili požara.

- Ako se punjive baterije nepravilno koriste, postoji opasnost od eksplozija ili povreda usled curenja tečnosti iz baterija.
- Ne bacajte punjive baterije u vatru. One mogu eksplodirati ili prouzrokovati otrovna isparenja.
- Nemojte da mešate punjive baterije niti da ih kratkospajate.
- Punite punjive baterije pri normalnoj sobnoj temperaturi (oko 20 °C).
- Za punjenje koristiti samo mrežni utikač sa SELV zaštitom!

● Opasnost od isticanja tečnosti iz punjivih baterija

- Izbegavajte ekstremne uslove i temperature, kao na primer grejna tela/direktno sunčevo zračenje, jer mogu uticati na rad punjivih baterija.
- Izbegavajte kontakt sa kožom, očima i sluzokožom! U slučaju kontakta sa kiselinom iz baterije, pogođena mesta odmah isperite sa puno vode i obavezno potražite medicinsku pomoć!

-  **NOSITI ZAŠTITNE RUKAVICE!** Iscurile ili oštećene punjive baterije u dodiru sa kožom mogu izazvati hemijske opekotine. U takvom slučaju obavezno nosite odgovarajuće zaštitne rukavice.
- U slučaju curenja punjivih baterija, odmah ih uklonite iz proizvoda da biste sprečili oštećenja.

● Pre prvog puštanja u rad

Proverite da li je isporuka potpuna. Proverite aku magnetne lampe [1] i USB kabl za punjenje [9] na eventualna spoljašnja oštećenja. U slučaju oštećenja, nemojte da koristite aku magnetne lampe. Obratite se na navedenu adresu servisa. Raspakujte sve delove uređaja. Uklonite

ambalažni materijal. Sklonite ambalažu na bezbedno mesto pre nego što stignu deca. Prilikom igranja sa ambalažnim materijalom postoji opasnost od davljenja!

● Montaža

Napomena: Uklonite sav ambalažni materijal.

- Izvadite magnetni držač sa lepljivom trakom [8] i skinite zaštitne trake (vidi sl. C). Montirajte aku magnetne lampe sa razmakom od najviše 8 cm od fiok (vidi sl. G) da bi infracrveni senzor [7] reagovao.
- Sada zalepite magnetni držač na željenom mestu. Da biste osigurali stabilno držanje, proverite da li je podloga suva, glatka i nemasna.
- Učvrstite aku magnetne lampe [1] uz pomoć magnetna [4] integrisanog u kućište na magnetni držač [8] (vidi sl. E).

Napomena: U slučaju uklanjanja lepljive trake mogu nastati oštećenja na površini. Ne preuzimamo nikakvu odgovornost za to! Za ponovno punjenje punjive baterije, aku magnetnu lampu jednostavno skinite sa magnetnog držača [8] (vidi sl. E).

● Punjenje punjive baterije



OPASNOST OD STRUJNOG UDARA!

- Aku magnetne lampe [1] punite samo u svim zatvorenim prostorijama sa mrežnim utikačem sa SELV zaštitom. Pre prve upotrebe aku magnetne lampe [1], potpuno napunite punjivu bateriju. Za to koristite samo isporučeni USB kabl za punjenje [9] (vidi sl. D).
 - Povežite isporučeni USB kabl za punjenje [9] sa Micro-USB [5] na magnetnoj lampi (vidi sl. F).
 - Za punjenje, povežite USB kabla za punjenje [9] sa USB mrežnim adapterom (5 V $\overline{\text{---}}$, maks. 0,22 A).
- Vreme punjenja je oko 2-3 sata. Sve dok aku

magnetne lampe ne budu potpuno napunjene, indikator punjenja **[6]** svetli crveno. Čim se aku magnetne lampe **[1]** potpuno napune, indikator punjenja **[6]** svetli zeleno. Tada izvucite USB mrežni adapter iz utičnice i odvojite vezu USB kabla za punjenje **[9]**/aku magnetne lampe **[1]** (vidi sl. F).

● **Uključivanje i isključivanje aku magnetnih lampi**

- Aku magnetne lampe se mogu uključiti/isključiti preko prekidača ON/OFF/AUTO **[3]**.
- Aku magnetne lampe imaju dve funkcije: Trajno svetlo, 120 sekundi. Za trajno svetlo, pomerite bočni prekidač ON/OFF/AUTO **[3]** u položaj „ON“ (uključeno). Maksimalno vreme sagorevanja sa optimalnim punjenjem: oko 3 sati. Za svetlo kada se otvore fioke, pomerite bočni prekidač ON/OFF/AUTO **[3]** u položaj „AUTO“ (automatski). Čim se fioka zatvori, pali se svetlo i svetli 120 sekundi. Infracrveni senzor **[7]** se ne sme pokriti i mora da postoji razmak od maksimalno 8 cm između infracrvenog senzora i fioke. Za svetlo kada se otvore vrata ormara, pomerite bočni prekidač ON/OFF/AUTO **[3]** u položaj „AUTO“ (automatski). Čim se vrata ormara ili fioka zatvore, pali se svetlo i svetli 120 sekundi. Infracrveni senzor **[7]** se ne sme pokriti. Da biste aku magnetne lampe potpuno isključili, pomerite bočni prekidač ON/OFF/AUTO **[3]** u srednji položaj „OFF“ (isključeno).

● **Čišćenje i skladištenje**



OPASNOST OD STRUJNOG UDARA!

Postoji opasnost od strujnog udara na delovima koji provode struju. Pre čišćenja izvucite USB mrežni adapter iz utičnice.



OPASNOST OD OŠTEĆENJA!

Nepravilno čišćenje može da ošteti aku magnetne lampe i dodatne

opreme.

- Isključite aku magnetne lampe pre svakog čišćenja i izvucite USB kabl za punjenje pre čišćenja aku magnetnih lampi.
- Nemojte da koristite agresivna sredstva za čišćenje, četke sa metalnim ili najlonskim čekinjama, kao ni oštre ili metalne predmete za čišćenje, kao što su nož, tvrda špahtla i slično. Ona bi mogla da oštete površine.
- Nemojte da čistite aku magnetne lampe i dodatnu opremu pod tekućom vodom.
- Aku magnetne lampe i dodatnu opremu obrišite blago navlaženom krpom.
- Aku magnetne lampe i dodatnu opremu potpuno osušite brisanjem.
- Kada ih ne koristite, aku magnetne lampe čuvajte na suvom mestu i pobrinite se da budu isključene.

● **Otklanjanje smetnji**

- = Smetnja
- = Uzrok
- = Rešenje

- = Proizvod ne svetli.
- = Punjiva baterija se mora napuniti.
- = Aku magnetne lampe napunite preko Micro-USB utičnice korišćenjem USB kabla za punjenje. Vreme punjenja je oko 2-3 sata.

- = Indikator punjenja ne svetli tokom procesa punjenja.
- = Aku magnetne lampe nemaju dovod struje.
- = Proverite da li su mrežni adapter i USB kabl za punjenje pravilno umetnuti.

● Odlaganje u otpad



Pri razvrstavanju otpada obratite pažnju na oznaku ambalažnog materijala koji se označava skraćenicama (a) i brojevima (b) sa sledećim značenjem:

- 1–7: Plastika
- 20–22: Papir i karton
- 80–98: Kompozitni materijal



Mogućnosti za odlaganje dotrajalog proizvoda možete saznati u opštinskoj ili gradskoj upravi.



U interesu zaštite životne sredine, nemojte odlagati svoj dotrajali proizvod kao kućni otpad, već ga odložite na stručan način. O mestima za prikupljanje i radnom vremenu možete se informisati kod lokalne uprave.

Neispravne ili istrošene punjive baterije moraju se reciklirati u skladu sa direktivom 2006 / 66 / EZ i njenim izmenama. Punjive baterije i / ili proizvod predajte preko sistema za prikupljanje koji se nude kod vas.



Pogrešno odlaganje punjivih baterija je štetno po životnu sredinu!

Punjive baterije ne smeju da se odlažu u kućni otpad. One mogu da sadrže otrovne teške metale*) i podležu propisima za rukovanje posebnim otpadom. Baterije i punjive baterije, koje nisu fiksno ugrađene u uređaj, moraju se izvaditi pre odlaganja i zasebno odložiti. Baterije i punjive baterije predajte samo u praznom stanju! Ako je moguće, koristite punjive umesto jednokratnih baterija.

*) označeno sa: Cd = kadmijum, Hg = živa, Pb = olovo.

● Garancija

Poštovani kupci, za ovaj uređaj dobijate garanciju od 3 godine od datuma kupovine. U slučaju kvara na ovom proizvodu, imate zakonska prava na reklamaciju kod prodavca proizvoda. Ova zakonska prava nisu ograničena našom garancijom kao što je navedeno u nastavku.

Uslovi garancije

Garantni rok počinje od datuma kupovine. Sačuvajte originalni račun, isečak sa kase. On je potreban kao dokaz o kupovini. Ako dođe do greške u materijalu ili izradi u roku od tri godine od datuma kupovine ovog proizvoda, proizvod će biti besplatno popravljen ili zamenjen po našem nahođenju, ili će biti vraćen novac u visini kupovne cene. Ova usluga garancije u okviru trogodišnjeg garantnog roka zahteva da se dostave neispravan uređaj i račun (isečak sa kase), kao i kratak opis nedostatka i vremena njegovog nastanka. Kada je nedostatak pokriven našom garancijom, vratićemo Vam popravljeni ili novi proizvod. Sa popravkom ili zamenom proizvoda ne započinje novi garantni rok.

Garantni rok i zakonski zahtevi u slučaju nedostataka

Garantni rok se ne produžava uslugom garancije. Ovo važi i za zamenjene i popravljene delove. Oštećenja i nedostaci koji se ustanove nakon raspakivanja posle kupovine moraju se odmah prijaviti. Popravke se naplaćuju nakon isteka garantnog roka.

Obim garancije

Uređaj je pažljivo proizveden u skladu sa strogim smernicama kvaliteta i pažljivo testiran pre isporuke. Garancija se odnosi na greške u materijalu ili izradi. Ova garancija ne pokriva delove proizvoda koji su podložni normalnom trošenju i habanju i

stoga se mogu smatrati potrošnim delovima i ne pokriva oštećenje lomljivih delova, kao što su prekidači, punjive baterije ili delovi od stakla. Ova garancija prestaje da važi ako je proizvod oštećen, nepravilno korišćen ili servisiran. Za pravilno korišćenje proizvoda neophodno je pridržavati se svih instrukcija navedenih u uputstvu za upotrebu. Namene i rukovanja koja nismo preporučili ili na koja se upozorava u uputstvu za rad moraju se obavezno izbegavati. Ovaj proizvod je namenjen samo za privatnu upotrebu i nije predviđen za komercijalni sektor. Garancija se poništava u slučaju nepravilne upotrebe i nepravilnog rukovanja, primene sile i intervencija koje nisu izvršene od strane našeg ovlašćenog servisnog predstavništva.

Obrada u slučaju zahteva po osnovu garancije

Da bi se garantovala brza obrada Vašeg zahteva, pratite sledeće

Napomene:

- Za sva pitanja pripremite račun i broj proizvoda (npr. IAN 123456) kao dokaz o kupovini.
- Broj proizvoda možete naći na tipskoj pločici na proizvodu, žigu na proizvodu, na naslovnoj strani uputstva (dole levo) ili na nalepnici na zadnjoj ili donjoj strani proizvoda.
- U slučaju da dođe do smetnje u radu ili sličnog nedostatka, prvo se putem telefona ili e-pošte obratite servisu koji je naveden u nastavku.
- Proizvod, za koji je ustanovljeno da je neispravan, možete da pošaljete na navedenu adresu servisa bez plaćanja poštarine, uz prilaganje računa (isečak sa kase) i navođenje nedostatka i vremena njegovog nastanka.

● **Servis**

RS

Servis Srbija

Tel.: 00800 80040044

E-Mail: administration@mynetsend.de

IAN 384240_2107

Aktuelnu verziju uputstva za korišćenje naći ćete na: www.citygate24.de

Uvozi i stavlja u promet: Lidl Srbija KD

Prva južna radna 3,
22330 Nova Pazova,
Republika Srbija
Tel. 0800-300-199,
E-mail: kontakt@lidl.rs

Kako izjaviti reklamaciju?

Molimo Vas:

- da pozovete korisnički servis: 0800-300-199
- pošaljete e-mail na: kontakt@lidl.rs
- posetite najbližu Lidl prodavnicu.

Da bismo osigurali najbržu asistenciju, molimo da sačuvate fiskalni račun i date ga na uvid prilikom izjavljivanja reklamacije.

Lidl i proizvođač nisu u mogućnosti da garantuju obezbeđivanje servisiranja i dostupnost rezervnih delova nakon isteka garantnog perioda/ perioda saobraznosti. Ukoliko za tim bude potrebe, putem naše Službe za potrošače možete proveriti dostupnost rezervnih delova i opcije za popravku. Hvala na razumevanju.

Davalac garancije- uvoznik: Lidl Srbija KD

Prva južna radna 3,
22330 Nova Pazova,
Republika Srbija
Tel. 0800-300-199,
E-mail: kontakt@lidl.rs

GARANCIJA I GARANTNI LIST

Poštovani,

Ovim putem Vas upoznajemo sa Vašim pravima i obavezama koje proističu iz Zakona o zaštiti potrošača, a u pogledu ostvarivanja prava iz garancije.

Ova garancija ni na koji način ne utiče, niti isključuje prava koja kupac ima u skladu sa važećim Zakonom o zaštiti potrošača po osnovu zakonske odgovornosti prodavca za nesaobraznost robe ugovoru koja traje 2 godine od dana kada je roba predata kupcu.

Davalac garancije ovom izjavom preuzima obavezu da kupcima svojih aparata, a pod uslovima definisanim u ovoj izjavi, obezbedi:

- besplatno otklanjanje kvarova u garantnom roku, koji bi nastali kod uobičajene upotrebe ili zbog grešaka u proizvodnji i materijalu, ili
- zamenu aparata, u garantnom roku predviđenim ovom garancijskom izjavom, u slučaju da opravka nije moguća, ili
- ako otklanjanje kvara nije moguće, kupac ima pravo da zahteva od prodavca povrat novca.

Ukupan rok garancije je *3 godine.

Garantni rok počinje da važi od datuma kupovine proizvoda, odnosno od prijema istog od strane kupca, a što se dokazuje fiskalnim računom.

Garancija važi na teritoriji Republike Srbije.


Kupac može da izjavi reklamaciju usmeno u nekom od prodajnih objekata Lidl Srbija KD, odnosno telefonom, pisanim putem ili elektronskim putem na kontakte kompanije Lidl Srbija KD, uz dostavu fiskalnog računa na uvid.

U cilju ispravnog funkcionisanja proizvod se koristi u skladu sa njegovom namenom i Uputstvom za upotrebu.

Na zahtev kupca, koji je izjavljen u garantnom roku, prodavac će izvršiti otklanjanje kvarova i nedostataka na proizvodu u roku predviđenom Zakonom.

Επαναφορτιζόμενα μαγνητικά φωτιστικά

• Εισαγωγή

 Σας συγχαίρουμε για την αγορά του νέου σας προϊόντος. Αποφασίσατε να αγοράσετε ένα προϊόν ύψιστης ποιότητας. Διαβάστε αυτές τις οδηγίες χρήσης πλήρως και προσεκτικά. Οι παρούσες οδηγίες ανήκουν στο προϊόν και εμπεριέχουν σημαντικές υποδείξεις για τη θέση σε λειτουργία και τον χειρισμό. Τηρείτε πάντα όλες τις υποδείξεις ασφαλείας. Εάν έχετε ερωτήσεις ή δεν είστε σίγουροι για τον τρόπο χρήσης του προϊόντος, επικοινωνήστε με τον πωλητή σας ή με το σέρβις. Φυλάξτε αυτές τις οδηγίες επιμελώς και διαβιβάστε τις αν χρειαστεί και σε τρίτους.

• Επεξήγηση συμβόλων



Διαβάστε τις οδηγίες χρήσης!



Ημερομηνία έκδοσης του εγχειριδίου χειρισμού (μήνας/έτος)



Ημερομηνία κατασκευής (μήνας/έτος)



DC τάση



Κίνδυνος ζωής και ατυχήματος για βρέφη και μικρά παιδιά!



Προσέξτε τις υποδείξεις κινδύνου και ασφαλείας!



Κίνδυνος ηλεκτροπληξίας!



Κίνδυνος έκρηξης!



Φοράτε προστατευτικά γάντια!



Αυτό το σήμα σημαίνει πως το προϊόν λειτουργεί με χαμηλή τάση ασφαλείας (SELV / PELV) (κατηγορία προστασίας III).



Δεν ενδείκνυται ως φωτισμός χώρου



Ενδείκνυται μόνο για εσωτερικούς χώρους



Αυτόματη ενεργοποίηση



Universal Serial Bus (USB)



Απορρίψτε τη συσκευασία και το προϊόν με τρόπο φιλικό προς το περιβάλλον! Ζημιές στο περιβάλλον σε περίπτωση λανθασμένης απόρριψης των μπαταριών/συσσωρευτών!



Συσκευασία από ανάμεικτο ξύλο με πιστοποίηση FSC



Με το σήμα CE ο κατασκευαστής βεβαιώνει, ότι η παρούσα ηλεκτρική συσκευή ανταποκρίνεται στις ισχύουσες ευρωπαϊκές οδηγίες.



Τα προϊόντα που φέρουν αυτό το σύμβολο πληρούν όλους τους ισχύοντες κανονισμούς στην οικονομική περιοχή της Δημοκρατίας της Σερβίας.

• Προβλεπόμενη χρήση

Το προϊόν είναι κατάλληλο για τον φωτισμό σε συρτάρια σε κλειστούς στεγνούς χώρους, όπως στο σπίτι, στο γκαράζ ή στο σπιτάκι κήπου. Τα επαναφορτιζόμενα μαγνητικά φωτιστικά σχεδιάστηκαν ώστε να είναι ιδιαίτερα πρακτικά και φιλικά στη χρήση. Τα επαναφορτιζόμενα μαγνητικά φωτιστικά επιτρέπουν τον φωτισμό περιοχών με λιγότερο φωτισμό, ειδικά εκεί όπου δεν υπάρχει απευθείας σύνδεση στο ηλεκτρικό δίκτυο. Τα φωτιστικά δεν επιτρέπεται να λειτουργούν κατά τη διαδικασία φόρτισης. Το προϊόν θα πρέπει να χρησιμοποιείται μόνο όπως περιγράφεται στις παρούσες οδηγίες.

Οποιαδήποτε άλλη χρήση θεωρείται ως μη προβλεπόμενη και μπορεί να οδηγήσει σε υλικές ζημιές ή σωματικές βλάβες. Η συσκευή δεν προορίζεται για επαγγελματική ή βιομηχανική χρήση. Μόνο για χρήση σε εσωτερικούς χώρους. Δεν ενδείκνυται ως φωτισμός χώρου


● Περιεχόμενο συσκευασίας

3x επαναφορτιζόμενο μαγνητικό φωτιστικό
3x μαγνητική βάση με μαξιλάρι κόλλας
1x καλώδιο φόρτισης USB
1x οδηγίες συναρμολόγησης και χρήσης

● Περιγραφή εξαρτημάτων

- 1 Επαναφορτιζόμενα μαγνητικά φωτιστικά
- 2 LED
- 3 Διακόπτης ON/OFF/AUTO
- 4 Μαγνήτης
- 5 Είσοδος θύρας Micro-USB
- 6 Ένδειξη φόρτισης
- 7 Αισθητήρας υπερύθρων
- 8 Μαγνητική βάση με μαξιλάρι κόλλας
- 9 Καλώδιο φόρτισης USB

● Τεχνικά Στοιχεία

Αριθμός μοντέλου: 970-M
Φωτιστικό σώμα LED μέγ. 0,6 W
Θερμοκρασία 4000 Kelvin, φυσικό
χρώματος: λευκό
Τάση εισόδου 5 V 
θύρας USB: μέγ. 0,22 A
1 x 0,33 Ah
Τροφοδοσία Συσσωρευτής ιόντων
ρεύματος: λιθίου 3,7 V
Ο συσσωρευτής δεν αντικαθίσταται.
Διαστάσεις: Περ. 6,8 x 3 x 1,2 cm

Βαθμός III
προστασίας:
Ρεύμα φωτός: Περ. 40 lm
Ανιχνευτής κίνησης: Υπερύθρων
Διάρκεια ζωής LED: 30.000 ώρες

● Υποδείξεις ασφαλείας



Υποδείξεις ασφαλείας



⚠ ΠΡΟΕΙΔΟΠΟΙΗΣΗ!

ΚΙΝΔΥΝΟΣ ΘΑΝΑΤΟΥ ΚΑΙ ΑΤΥΧΗΜΑΤΟΣ ΓΙΑ ΒΡΕΦΗ ΚΑΙ

ΠΑΙΔΙΑ! Μην αφήνετε ποτέ τα παιδιά μόνα τους με το υλικό συσκευασίας. Υφίσταται κίνδυνος ασφυξίας μέσω του υλικού συσκευασίας. Τα παιδιά συχνά υποτιμούν τους κινδύνους. Διατηρείτε τα παιδιά συνεχώς μακριά από το επαναφορτιζόμενο μαγνητικό φωτιστικό.

- Το προϊόν αυτό μπορεί να χρησιμοποιηθεί από παιδιά ηλικίας άνω των 8 ετών και από άτομα με μειωμένες σωματικές, αισθητήριες ή πνευματικές ικανότητες ή με έλλειψη εμπειρίας και γνώσης, εφόσον βρίσκονται υπό επίβλεψη κατά την χρήση του επαναφορτιζόμενου μαγνητικού φωτιστικού ή έχουν ενημερωθεί σχετικά με την χρήση του προϊόντος και τους κινδύνους που απορρέουν από αυτό. Τα παιδιά δεν επιτρέπεται να παίζουν με το επαναφορτιζόμενο μαγνητικό φωτιστικό. Ο καθαρισμός και η συντήρηση εκ μέρους του χρήστη δεν επιτρέπεται να διεξάγεται από παιδιά δίχως επίβλεψη.
- Μην χρησιμοποιείτε το επαναφορτιζόμενο μαγνητικό φωτιστικό, εάν διαπιστώσετε πως υφίστανται κάποιες βλάβες.
- Η φωτεινή πηγή αυτού του φωτιστικού μπορεί να αντικατασταθεί μόνο από τον κατασκευαστή ή από τεχνικό σέρβις εξουσιοδοτημένο από αυτόν ή από άτομο με παρόμοια προσόντα.



Υποδειξεις ασφαλείας για μπαταρίες/συσσωρευτές

- **ΚΙΝΔΥΝΟΣ ΘΑΝΑΤΟΥ!** Κρατάτε τις μπαταρίες/τους συσσωρευτές μακριά από τα παιδιά. Απευθυνθείτε αμέσως σε γιατρό στην περίπτωση κατάποσης!
- **ΥΠΟΔΕΙΞΗ!** Ο συσσωρευτής δεν αντικαθίσταται. Όταν έχει καταναλωθεί, τότε πρέπει όλο το φωτιστικό να οδηγηθεί σε απόρριψη.
- **ΚΙΝΔΥΝΟΣ ΕΚΡΗΞΗΣ!** Ο ακατάλληλος χειρισμός του ενσωματωμένου συσσωρευτή των επαναφορτιζόμενων μαγνητικών φωτιστικών μπορεί να προκαλέσει έκρηξη ή πυρκαγιά.
 - Σε περίπτωση ακατάλληλης χρήσης των συσσωρευτών, υπάρχει κίνδυνος εκρήξεων ή εγκαυμάτων από εκροή υγρού συσσωρευτών.
 - Μην πετάτε τους συσσωρευτές στη φωτιά. Μπορεί να εκραγούν ή να απελευθερώσουν τοξικά αέρια.
 - Μην αποσυναρμολογείτε τους συσσωρευτές και μην τους βραχυκυκλώνετε.
 - Φορτίστε τον συσσωρευτή σε κανονική θερμοκρασία χώρου (περ. 20° C).
 - Για τη φόρτιση χρησιμοποιείτε μόνο ένα φικς τροφοδοσίας SELV!

● Κίνδυνος διαρροής συσσωρευτών

- Αποφεύγετε ακραίες συνθήκες και θερμοκρασίες που θα μπορούσαν να έχουν επίδραση στους συσσωρευτές, π.χ. σε καλοριφέρ/άμεση ηλιακή ακτινοβολία.
- Αποφεύγετε την επαφή με το δέρμα, τα μάτια και τους βλεννογόνους! Σε περίπτωση επαφής με το οξύ της μπαταρίας, ξεπλύνετε αμέσως τα σημεία επαφής με άφθονο καθαρό νερό και επισκεφθείτε αμέσως έναν γιατρό!



ΦΟΡΑΤΕ ΠΡΟΣΤΑΤΕΥΤΙΚΑ

ΓΑΝΤΙΑ! Οι συσσωρευτές που έχουν διαρρεύσει ή έχουν

καταστραφεί μπορεί να προκαλέσουν εγκαύματα, εάν έρθουν σε επαφή με το δέρμα. Γι' αυτό, φοράτε σε αυτή την περίπτωση κατάλληλα προστατευτικά γάντια.

- Σε περίπτωση διαρροής των συσσωρευτών, αφαιρέστε τους αμέσως από το προϊόν, ώστε να αποφευχθούν ζημιές.

● Πριν την πρώτη έναρξη λειτουργίας

Ελέγξτε την πληρότητα της παράδοσης. Ελέγξτε τα επαναφορτιζόμενα μαγνητικά φωτιστικά [1] και το καλώδιο φόρτισης USB [9] για πιθανές εξωτερικές ζημιές. Σε περίπτωση ζημιών μην χρησιμοποιείτε τα επαναφορτιζόμενα μαγνητικά φωτιστικά. Απευθυνθείτε στην παρεχόμενη διεύθυνση σέρβις. Αποσκευάστε όλα τα μέρη της συσκευής. Αφαιρέστε το υλικό συσκευασίας. Φυλάξτε τη συσκευασία μακριά από τα παιδιά. Υπάρχει κίνδυνος ασφυξίας από το υλικό συσκευασίας!

● Συναρμολόγηση

Υπόδειξη: Αφαιρέστε πλήρως το υλικό συσκευασίας.

- Κρατήστε τη μαγνητική βάση με το μαξιλάρι κόλλας [8] και αφαιρέστε την προστατευτική λωρίδα (βλέπε εικ. C). Τοποθετήστε τα επαναφορτιζόμενα μαγνητικά φωτιστικά σε μέγιστη απόσταση 8 cm από το συρτάρι (βλ. εικ. G), ώστε να ανταποκρίνεται ο αισθητήρας υπερύθρων [7].
- Κολλήστε τη μαγνητική βάση στο επιθυμητό σημείο. Για να διασφαλίσετε τη στερέωση, ελέγξτε αν η επιφάνεια είναι στεγνή, λεία και μη λιπαρή.
- Στερεώστε τα επαναφορτιζόμενα μαγνητικά φωτιστικά [1] με τη βοήθεια του μαγνήτη [4] που είναι ενσωματωμένος στο περίβλημα πάνω στη μαγνητική βάση [8] (βλέπε εικ. E).

Υπόδειξη: Κατά την αφαίρεση του μαξιλαριού κόλλας μπορεί να προκληθούν

ζημιές στην επιφάνεια. Σε αυτήν την περίπτωση δεν αναλαμβάνουμε καμία ευθύνη! Για την επαναφόρτιση του συσσωρευτή το επαναφορτιζόμενο μαγνητικό φωτιστικό μπορεί να αφαιρεθεί εύκολα από τη μαγνητική βάση [8] (βλέπε εικ. Ε).

● Φόρτιση συσσωρευτή



ΚΙΝΔΥΝΟΣ ΗΛΕΚΤΡΟΠΛΗΞΙΑΣ!

Φορτίζετε τα επαναφορτιζόμενα μαγνητικά φωτιστικά [1] μόνο σε στεγνούς εσωτερικούς χώρους και με ένα φως τροφοδοσίας SELV. Προτού χρησιμοποιήσετε τα επαναφορτιζόμενα μαγνητικά φωτιστικά [1] για πρώτη φορά, φορτίστε πλήρως τον συσσωρευτή. Χρησιμοποιείτε για τον σκοπό αυτό μόνο το συνοδευτικό καλώδιο φόρτισης USB [9] (βλέπε εικ. D).

- Συνδέστε το συνοδευτικό καλώδιο φόρτισης USB [9] με την υποδοχή Micro-USB [5] στο μαγνητικό φωτιστικό (βλέπε εικ. F).
- Για τη φόρτιση συνδέστε το καλώδιο φόρτισης USB [9] με έναν αντάπτορα δικτύου USB (5 V --- , μέγ. 0,22 A).
- Συνδέστε τον αντάπτορα δικτύου USB στην πρίζα.

Ο χρόνος φόρτισης είναι περ. 2-3 ώρες. Όσο τα μαγνητικά φωτιστικά μπαταρίας δεν είναι πλήρως φορτισμένα, η ένδειξη φόρτισης [6] ανάβει κόκκινη. Όσο τα μαγνητικά φωτιστικά [1] μπαταρίας είναι πλήρως φορτισμένα, η ένδειξη φόρτισης [6] ανάβει πράσινη. Ύστερα αποσυνδέστε τον αντάπτορα δικτύου USB από την πρίζα και διακόψτε τη σύνδεση μεταξύ καλωδίου φόρτισης USB [9] /επαναφορτιζόμενων μαγνητικών φωτιστικών [1] (βλέπε εικ. F).

● Ενεργοποίηση/ απενεργοποίηση επαναφορτιζόμενων μαγνητικών φωτιστικών

- Με τον διακόπτη ON/OFF/AUTO [3] τα επαναφορτιζόμενα μαγνητικά φωτιστικά

μπορούν να ενεργοποιηθούν/ απενεργοποιηθούν.

- Τα επαναφορτιζόμενα μαγνητικά φωτιστικά έχουν δύο λειτουργίες: Συνεχές φως αναμμένο, 120 δευτερόλεπτα. Για το συνεχές φως ωθήστε τον πλευρικό διακόπτη ON/OFF/AUTO [3] στη θέση «ON». Για το φως όταν τα συρτάρια είναι ανοιχτά, ωθήστε τον πλευρικό διακόπτη ON/OFF/AUTO [3] στη θέση «AUTO». Μόλις ανοίξετε το συρτάρι, το φως ενεργοποιείται και ανάβει για 120 δευτερόλεπτα. Ο αισθητήρας υπερύθρων [7] δεν πρέπει να είναι καλυμμένος και η μέγιστη απόσταση του αισθητήρα υπερύθρων από το συρτάρι πρέπει να είναι 8 cm. Για το φως με ανοιχτές πόρτες ντουλάπας ωθήστε τον πλευρικό διακόπτη ON/OFF/AUTO [3] στη θέση «AUTO». Μόλις ανοίξετε την πόρτα της ντουλάπας ή το συρτάρι, το φως ενεργοποιείται και ανάβει για 120 δευτερόλεπτα. Ο αισθητήρας υπερύθρων [7] δεν επιτρέπεται να είναι καλυμμένος. Για να απενεργοποιήσετε πλήρως τα επαναφορτιζόμενα μαγνητικά φωτιστικά, ρυθμίστε τον πλευρικό διακόπτη ON/OFF/AUTO [3] στη μεσαία θέση «OFF».

● Καθαρισμός και αποθήκευση



ΚΙΝΔΥΝΟΣ ΗΛΕΚΤΡΟΠΛΗΞΙΑΣ!

Υπάρχει κίνδυνος ηλεκτροπληξίας από ηλεκτροφόρα μέρη.

Αποσυνδέστε τον αντάπτορα δικτύου USB από την πρίζα πριν από τον καθαρισμό.



ΚΙΝΔΥΝΟΣ ΠΡΟΚΛΗΣΗΣ ΖΗΜΙΩΝ!

Ο ακατάλληλος καθαρισμός μπορεί να προκαλέσει ζημιά στα επαναφορτιζόμενα μαγνητικά φωτιστικά και τα αξεσουάρ.

- Απενεργοποιείτε τα επαναφορτιζόμενα μαγνητικά φωτιστικά πριν από κάθε καθαρισμό και αποσυνδέετε το καλώδιο φόρτισης USB προτού καθαρίσετε τα επαναφορτιζόμενα μαγνητικά φωτιστικά.

- Μην χρησιμοποιείτε διαβρωτικά καθαριστικά, βούρτσες με μεταλλικές τρίχες ή τρίχες νάilon καθώς και αιχμηρά ή μεταλλικά αντικείμενα καθαρισμού όπως μαχαίρια, σκληρές σπάτουλες και παρόμοια. Μπορεί να προκαλέσουν ζημιά στις επιφάνειες.
- Ποτέ μην καθαρίζετε τα επαναφορτιζόμενα μαγνητικά φωτιστικά και τα αξεσουάρ κάτω από τρεχούμενο νερό.
- Σκουπίστε τα επαναφορτιζόμενα μαγνητικά φωτιστικά και τα αξεσουάρ με ένα ελαφρώς βρεγμένο πανί.
- Σκουπίστε τα επαναφορτιζόμενα μαγνητικά φωτιστικά και τα αξεσουάρ για να στεγνώσουν.
- Όταν δεν χρησιμοποιείται φυλάξτε το επαναφορτιζόμενο μαγνητικό φωτιστικό σε στεγνό σημείο και βεβαιωθείτε ότι έχει απενεργοποιηθεί.

● Αντιμετώπιση βλαβών

- = Βλάβη
 - ⊙ = Αιτία
 - = Επίλυση
- = Το προϊόν δεν φωτίζει.
 - ⊙ = Οι συσσωρευτές πρέπει να φορτιστούν.
 - = Φορτίστε τα επαναφορτιζόμενα μαγνητικά φωτιστικά μέσω της θύρας Micro-USB με το ενσωματωμένο καλώδιο φόρτισης USB. Ο χρόνος φόρτισης είναι περ. 2-3 ώρες.
 - = Η ένδειξη φόρτισης δεν ανάβει κατά τη διαδικασία φόρτισης.
 - ⊙ = Τα επαναφορτιζόμενα μαγνητικά φωτιστικά δεν τροφοδοτούνται με ρεύμα.
 - = Ελέγξτε αν ο αντάπτορας δικτύου και το καλώδιο φόρτισης USB συνδέθηκαν σωστά.

● Απόρριψη



Δώστε προσοχή στην επισήμανση των υλικών συσκευασίας κατά τη διαλογή των απορριμμάτων, τα οποία φέρουν τις συντομογραφίες (a) και τους αριθμούς (b) με την εξής σημασία:

1–7: Πλαστικά
20–22: Χαρτί και χαρτόνι
80–98: Συνθετικά υλικά



Για τις δυνατότητες απόρριψης του άχρηστου πλέον προϊόντος, μπορείτε να ενημερωθείτε από την κοινοτική ή δημοτική αρχή.



Για λόγους προστασίας του περιβάλλοντος, μην πετάξετε το πλέον άχρηστο προϊόν στα οικιακά απορρίμματα, αλλά φροντίστε για την κατάλληλη απόρριψή του. Για τα κατάλληλα σημεία συλλογής και τις ώρες λειτουργίας τους, μπορείτε να ενημερωθείτε από την αρμόδια αρχή της περιοχής σας.

Οι ελαττωματικοί ή χρησιμοποιημένοι συσσωρευτές πρέπει να ανακυκλώνονται σύμφωνα με την οδηγία 2006/66/EK και τις τροποποιήσεις αυτής. Επιστρέψτε τους συσσωρευτές και/ή το προϊόν μέσω των διαθέσιμων εγκαταστάσεων συλλογής.



Περιβαλλοντικές ζημιές από λανθασμένη απόρριψη των συσσωρευτών!

Οι συσσωρευτές δεν επιτρέπεται να απορρίπτονται στα οικιακά απορρίμματα. Μπορεί να περιέχουν τοξικά βαρέα μέταλλα* και υπόκεινται στην επεξεργασία επικινδυνών αποβλήτων. Οι μπαταρίες και οι συσσωρευτές που δεν είναι μόνιμα εγκατεστημένοι στη συσκευή πρέπει να αφαιρούνται και να απορρίπτονται ξεχωριστά πριν από την απόρριψη. Παραδώστε τις μπαταρίες και τους συσσωρευτές μόνο όταν βρίσκονται σε αποφορτισμένη κατάσταση! Εάν είναι δυνατόν, χρησιμοποιείτε

συσσωρευτές αντί για μπαταρίες μίας χρήσης.

*) επισημαίνονται με: Cd = κάδμιο, Hg = υδράργυρος, Pb = μόλυβδος

● **Εγγύηση**

Αξιότιμη πελάτισσα, αξιότιμε πελάτη, για τη συσκευή αυτή σας παρέχεται 3 χρόνια εγγύηση από την ημερομηνία αγοράς. Σε περίπτωση ελαττωμάτων αυτού του προϊόντος, έχετε νόμιμα δικαιώματα κατά του πωλητή του προϊόντος. Αυτά τα νόμιμα δικαιώματα δεν περιορίζονται από την εγγύηση, στην οποία αναφερόμαστε παρακάτω.

Όροι εγγύησης

Η προθεσμία της εγγύησης αρχίζει με την ημερομηνία της αγοράς. Παρακαλώ φυλάξτε καλά την απόδειξη αγοράς. Απαιτείται ως απόδειξη για την αγορά. Εάν προκύψει εντός τριών ετών από την ημερομηνία της αγοράς κάποιο ελάττωμα υλικού ή παραγωγής, τότε το προϊόν θα διορθωθεί ή θα αντικατασταθεί από εμάς ή θα επιστρέψουμε το ποσό αγοράς. Αυτός ο όρος εγγύησης προϋποθέτει, ότι εντός της προθεσμίας τριών ετών θα προσκομιστούν η ελαττωματική συσκευή και το αποδεικτικό αγοράς (παραστατικό) και ότι περιγράφεται σύντομα εγγράφως η έλλειψη και πότε παρουσιάστηκε. Αν η βλάβη καλύπτεται από την εγγύησή μας, θα λάβετε το επισκευασμένο ή ένα νέο προϊόν. Με την επισκευή ή αντικατάσταση του προϊόντος δεν ξεκινά μια νέα διάρκεια εγγύησης.

Διάρκεια εγγύησης και νομικές αξιώσεις ελλείψεων

Η διάρκεια εγγύησης δεν παρατείνεται από την παροχή εγγύησης. Αυτό ισχύει επίσης για εξαρτήματα που έχουν αντικατασταθεί ή επισκευαστεί. Ζημιές και ελλείψεις που πιθανόν να υπάρχουν ήδη κατά την αγορά πρέπει να γνωστοποιηθούν αμέσως μετά την αφαίρεση από τη συσκευασία. Μετά τη λήξη

της διάρκειας εγγύησης οι επισκευές χρεώνονται.

Περιεχόμενο εγγύησης

Η συσκευή κατασκευάστηκε προσεκτικά σύμφωνα με αυστηρές οδηγίες ποιότητας και δοκιμάστηκε σχολαστικά πριν από την παράδοση. Η παροχή εγγύησης ισχύει για βλάβες υλικού ή παραγωγής. Η εγγύηση αυτή δεν επεκτείνεται σε εξαρτήματα του προϊόντος, τα οποία εκτίθενται στην κανονική φθορά και έτσι θεωρούνται αναλώσιμα υλικά και ούτε σε βλάβες σε εύθραυστα τμήματα, π.χ. διακόπτες, συσσωρευτές ή εξαρτήματα από γυαλί. Αυτή η εγγύηση παύει να ισχύει, εάν το προϊόν φέρει βλάβη, δεν χρησιμοποιήθηκε κατάλληλα και δεν συντηρήθηκε. Για την προβλεπόμενη χρήση του προϊόντος πρέπει να τηρούνται επακριβώς όλες οι υποδείξεις που περιγράφονται στις οδηγίες χρήσης. Σκοποί χρήσης και ενέργειες, που δεν συνιστώνται από τις οδηγίες χρήσης, πρέπει οπωσδήποτε να αποφεύγονται. Το προϊόν προορίζεται αποκλειστικά για ιδιωτική και όχι για επαγγελματική χρήση. Σε περίπτωση κατάχρησης ή λανθασμένης χρήσης, άσκηση βίας και επεμβάσεων, που δεν πραγματοποιούνται από την εξουσιοδοτημένη αντιπροσωπεία σέρβις, παύει να ισχύει η εγγύηση.

Διεκπεραίωση σε περίπτωση εγγύησης

Για τη γρήγορη επεξεργασία του αιτήματός σας παρακαλούμε ακολουθήστε τις παρακάτω **Υποδείξεις**:

- Παρακαλώ να έχετε μαζί σας για ενδεχόμενες ερωτήσεις την απόδειξη ταμείου και τον αριθμό προϊόντος (π.χ. IAN 123456) ως απόδειξη αγοράς.
- Ο αριθμός προϊόντος αναγράφεται στην πινακίδα τύπου του προϊόντος, στην εγχάραξη στο προϊόν, στο φύλλο τίτλου των οδηγιών (κάτω αριστερά) ή στο αυτοκόλλητο στην πίσω ή κάτω πλευρά του προϊόντος.
- Αν παρουσιαστούν δυσλειτουργίες ή άλλες

ελλείψεις, επικοινωνήστε αρχικά τηλεφωνικά ή μέσω e-mail με το παρακάτω τμήμα σέρβις.

- Ένα προϊόν που διαπιστώνεται ως ελαττωματικό μπορεί μαζί με το αποδεικτικό αγοράς (παραστατικό) και την περιγραφή της έλλειψης και τότε παρουσιάστηκε να σταλεί χωρίς έξοδα αποστολής στην αναφερόμενη διεύθυνση σέρβις.

Με την αντικατάσταση της συσκευής, σύμφωνα με το ΝΟΜΟΣ 2251/1994, ξεκινάει εκ νέου ο χρόνος εγγύησης.

● Σέρβις

GR

Σέρβις Ελλάδα
Tel. : 00800 80040044
E-Mail: administration@mynetsend.de

CY

Σέρβις Κύπρος
Tel. : 00800 80040044
E-Mail: administration@mynetsend.de

IAN 384240_2107

Παρακαλώ να έχετε μαζί σας για ενδεχόμενες ερωτήσεις την απόδειξη ταμείου και τον αριθμό προϊόντος (π.χ. IAN 123456) ως απόδειξη αγοράς.

Μπορείτε να βρείτε την τρέχουσα έκδοση των οδηγιών χρήσης στον διαδικτυακό τόπο: www.citygate24.de

Akku-Magnetleuchten

● Einleitung



Wir beglückwünschen Sie zum Kauf Ihres neuen Produkts. Sie haben sich damit für ein hochwertiges Produkt entschieden. Bitte lesen Sie diese Bedienungsanleitung vollständig und sorgfältig durch. Diese Anleitung gehört zu diesem Produkt und enthält wichtige Hinweise zur Inbetriebnahme und Handhabung. Beachten Sie immer alle Sicherheitshinweise. Sollten Sie Fragen haben oder unsicher in Bezug auf die Handhabung des Produkts sein, setzen Sie sich bitte mit Ihrem Händler oder der Servicestelle in Verbindung. Bewahren Sie diese Anleitung bitte sorgfältig auf und geben Sie sie ggf. an Dritte weiter.

● Zeichenerklärung



Bedienungsanleitung lesen!



Ausgabedatum der Bedienungsanleitung (Monat/Jahr)



Herstellungsdatum (Monat/Jahr)



Gleichspannung



Lebens- und Unfallgefahr für Kleinkinder und Kinder!



Warn- und Sicherheitshinweise beachten!



Warnung! Stromschlaggefahr!



Explosionsgefahr!



Schutzhandschuhe tragen!



Dieses Symbol bedeutet, dass das Produkt mit Schutzkleinspannung (SELV / PELV) arbeitet (Schutzklasse III).



Nicht zur Raumbeleuchtung geeignet



Nur für den Innenraum geeignet



Automatische Auslösung



Universal Serial Bus (USB)



Entsorgen Sie Verpackung und Produkt umweltgerecht!



Umweltschäden durch falsche Entsorgung der Batterien / Akkus!



Verpackung aus FSC-zertifiziertem Mix-Holz



Mit der CE-Kennzeichnung bestätigt der Hersteller, dass dieses Produkt den geltenden europäischen Richtlinien entspricht.



Mit diesem Symbol gekennzeichnete Produkte erfüllen alle anzuwendenden Vorschriften im Wirtschaftsraum der Republik Serbien.

● Bestimmungsgemäße Verwendung

Das Produkt eignet sich zur Beleuchtung in Schubladen in einem geschlossenen trockenem Bereich wie Haus, Garage oder Gartenhaus. Die Akku-Magnetleuchten sind besonders anwenderfreundlich konzipiert und einfach zu benutzen. Die Akku-Magnetleuchten ermöglichen Ihnen eine Beleuchtung von wenig belichteten

Bereichen, insbesondere dort, wo kein direkter Stromanschluss vorhanden ist. Die Leuchten dürfen nicht während des Ladevorgangs betrieben werden. Die Benutzung des Artikels sollte nur so erfolgen, wie sie in dieser Anleitung erläutert wird. Jede andere Verwendung gilt als nicht bestimmungsgemäß und kann zu Sachschäden oder sogar zu Personenschäden führen. Das Gerät ist nicht für den kommerziellen oder industriellen Gebrauch bestimmt. Nur zur Verwendung in Innenräumen. Nicht zur Raumbeleuchtung geeignet.

● Lieferumfang

3x Akku-Magnetleuchte
3x Magnethalterung mit Klebepad
1x USB-Ladekabel
1x Montage- und Bedienungsanleitung

● Teilebeschreibung

- 1 Akku-Magnetleuchten
- 2 LED
- 3 ON-/OFF-/AUTO-Schalter
- 4 Magnet
- 5 Eingang Mikro-USB-Buchse
- 6 Ladeindikation
- 7 Infrarotsensor
- 8 Magnethalterung mit Klebepad
- 9 USB-Ladekabel

● Technische Daten

Modellnummer: 970-M
LED-Leuchtmittel: max. 0,6 W
Farbtemperatur: 4000 Kelvin, neutralweiß
Eingangsspannung USB-Buchse: 5 V $\overline{\overline{\overline{\quad}}}$
max. 0,22 A

Stromversorgung:	1x 0,33 Ah Li-Ion-Akku 3,7 V (Akku nicht austauschbar)
Abmessungen:	ca. 6,8 x 3 x 1,2 cm
Schutzklasse:	III
Lichtstrom:	ca. 40 lm
Bewegungsmelder:	Infrarot
LED Lebensdauer:	30.000 Stunden

● Sicherheitshinweise



Sicherheitshinweise



⚠️ WARNUNG!

LEBENS- UND UNFALLGEFAHR FÜR KLEINKINDER UND KINDER!

Lassen Sie Kinder niemals unbeaufsichtigt mit dem Verpackungsmaterial. Es besteht Erstickungsgefahr durch Verpackungsmaterial. Kinder unterschätzen häufig die Gefahren. Halten Sie Kinder stets von der Akku-Magnetleuchte fern.

- Dieses Produkt kann von Kindern ab 8 Jahren und darüber sowie von Personen mit verringerten physischen, sensorischen oder mentalen Fähigkeiten oder Mangel an Erfahrung und Wissen benutzt werden, wenn sie beaufsichtigt oder bezüglich des sicheren Gebrauchs der Akku-Magnetleuchte angewiesen wurden und die daraus resultierenden Gefahren verstehen. Kinder dürfen nicht mit der Akku-Magnetleuchte spielen. Reinigung und Benutzerwartung dürfen nicht von Kindern ohne Beaufsichtigung durchgeführt werden.
- Verwenden Sie die Akku-Magnetleuchte nicht, wenn Sie irgendwelche Beschädigungen feststellen.
- Die Lichtquelle dieses Produktes darf nur vom Hersteller oder einem von ihm beauftragten Servicetechniker oder einer

vergleichbar qualifizierten Person ersetzt werden.



Sicherheitshinweise für Batterien / Akkus

- **LEBENSGEFAHR!** Halten Sie Batterien/ Akkus außer Reichweite von Kindern. Suchen Sie im Falle eines Verschluckens sofort einen Arzt auf!
- **HINWEIS!** Der Akku ist nicht austauschbar. Wenn er verbraucht ist, muss die gesamte Leuchte entsorgt werden.
- **EXPLOSIONSGEFAHR!**  Unsachgemäßer Umgang mit dem integrierten Akku der Akku-Magnetleuchten kann eine Explosion oder einen Brand verursachen.
- Wenn Sie Akkus unsachgemäß verwenden, besteht die Gefahr von Explosionen oder von Verätzungen durch auslaufende Akkuflüssigkeit.
- Werfen Sie Akkus nicht ins Feuer. Sie können explodieren oder giftige Dämpfe verursachen.
- Nehmen Sie Akkus nicht auseinander und schließen Sie sie nicht kurz.
- Laden Sie den Akku bei normaler Raumtemperatur (ca. 20° C) auf.
- Zum Laden nur einen SELV-sicheren Netzstecker verwenden!

● Risiko des Auslaufens von Batterien / Akkus

- Vermeiden Sie extreme Bedingungen und Temperaturen, die auf Batterien / Akkus einwirken können, z. B. auf Heizkörpern / direkte Sonneneinstrahlung.
- Vermeiden Sie den Kontakt mit Haut, Augen und Schleimhäuten! Spülen Sie bei Kontakt mit Batteriesäure die betroffenen Stellen sofort mit reichlich klarem Wasser und suchen Sie umgehend einen Arzt auf!



SCHUTZHANDSCHUHE TRAGEN! Ausgelaufene oder

beschädigte Batterien/Akkus können bei Berührung mit der Haut Verätzungen verursachen. Tragen Sie deshalb in diesem Fall geeignete Schutzhandschuhe.

- Im Falle eines Auslaufens der Batterien entfernen Sie diese sofort aus dem Produkt, um Beschädigungen zu vermeiden.

● Vor der ersten Inbetriebnahme

Prüfen Sie, ob die Lieferung vollständig ist. Überprüfen Sie die Akku-Magnetleuchten **1** und das USB-Ladekabel **9** auf eventuelle äußerliche Beschädigungen. Im Falle von Beschädigungen benutzen Sie die Akku-Magnetleuchten nicht. Wenden Sie sich an die aufgeführte Service-Adresse. Packen Sie alle Teile des Geräts aus. Entfernen Sie das Verpackungsmaterial. Verwahren Sie die Verpackung vor dem Zugriff von Kindern sicher auf. Beim Spielen mit Verpackungsmaterial besteht Erstickungsgefahr!

● Montage

Hinweis: Entfernen Sie vollständig das Verpackungsmaterial.

- Nehmen Sie die Magnethalterung mit dem Klebepad **8** und ziehen Sie den Schutzstreifen ab (siehe Abb. C). Bitte montieren Sie die Akku-Magnetleuchten mit einem Abstand von max. 8 cm zur Schublade (siehe Abb. G), damit der Infrarotsensor **7** reagiert.
- Kleben Sie die Magnethalterung nun an die gewünschte Stelle. Um den Halt sicherzustellen, prüfen Sie, ob der Untergrund trocken, glatt und fettfrei ist.
- Befestigen Sie die Akku-Magnetleuchten **1** mit Hilfe des im Gehäuse integrierten Magneten **4** auf der Magnethalterung **8** (siehe Abb. E).

Hinweis: Beim Entfernen des Klebepads können Schäden auf der Oberfläche

entstehen. Hierfür übernehmen wir keine Haftung! Zum Wiederaufladen des Akkus kann die Akku-Magnetleuchte einfach von der Magnethalterung **8** abgenommen werden (siehe Abb. E).

● Akku aufladen



STROMSCHLAGGEFAHR!

Laden Sie die Akku-Magnetleuchten **1** nur in trockenen Innenräumen und mit einem SELV-sicheren Netzstecker auf. Bevor Sie die Akku-Magnetleuchten **1** das erste Mal verwenden, laden Sie bitte den Akku vollständig auf. Bitte benutzen Sie hierzu nur das mitgelieferte USB-Ladekabel **9** (siehe Abb. D).

- Verbinden Sie das mitgelieferte USB-Ladekabel **9** mit der Mikro-USB-Buchse **5** an der Magnetleuchte (siehe Abb. F).
- Zum Aufladen das USB-Ladekabel **9** mit einem USB-Netzadapter (5 V $\overline{\text{---}}$, max. 0,22 A) verbinden.
- Stecken Sie den USB-Netzadapter in die Steckdose.

Die Ladezeit beträgt ca. 2-3 Stunden.

Solange die Akku-Magnetleuchten noch nicht vollständig geladen ist, leuchtet die Ladeindikation **6** rot. Sobald die Akku-Magnetleuchten **1** vollständig geladen ist, leuchtet die Ladeindikation **6** grün. Ziehen Sie dann den USB-Netzadapter aus der Steckdose und trennen Sie die Verbindung USB-Ladekabel **9**/Akku-Magnetleuchten **1** (siehe Abb. F).

● Akku-Magnetleuchten AN/AUS

- Mit dem ON-/OFF-/AUTO-Schalter **3** können die Akku-Magnetleuchten ein-/ausgeschaltet werden.
- Die Akku-Magnetleuchten haben zwei Funktionen: Dauerlicht an, 120 Sekunden. Für das Dauerlicht schieben Sie den seitlichen ON-/OFF-/AUTO-Schalter **3** auf

Position „ON“. Maximale Leuchtdauer bei optimaler Aufladung: 3 Stunden. Für das Licht bei geöffneten Schubladen schieben Sie den seitlichen ON-/OFF-/AUTO-Schalter [3] auf Position „AUTO“. Sobald Sie die Schublade öffnen, schaltet sich das Licht ein und leuchtet für 120 Sekunden. Der Infrarotsensor [7] darf nicht verdeckt sein und es darf maximal ein Abstand von 8 cm vom Infrarotsensor zur Schublade vorhanden sein. Um die Akku-Magnetleuchten komplett auszuschalten, stellen Sie den seitlichen ON-/OFF-/AUTO-Schalter [3] in die mittlere Position „OFF“.

● Reinigung und Lagerung



STROMSCHLAGGEFAHR!

Es besteht die Gefahr eines elektrischen Schlags durch stromführende Teile. Ziehen Sie den USB-Netzadapter aus der Steckdose, bevor Sie eine Reinigung vornehmen.



BESCHÄDIGUNGSGEFAHR!

Unsachgemäße Reinigung kann die Akku-Magnetleuchten und das Zubehör beschädigen.

- Schalten Sie die Akku-Magnetleuchten vor jeder Reinigung aus und entfernen Sie das USB-Ladekabel bevor Sie die Akku-Magnetleuchte reinigen.
- Verwenden Sie keine aggressiven Reinigungsmittel, Bürsten mit Metall- oder Nylonborsten sowie keine scharfen oder metallischen Reinigungsgegenstände wie Messer, harte Spachtel und dergleichen. Diese können die Oberflächen beschädigen.
- Reinigen Sie die Akku-Magnetleuchten und das Zubehör nie unter fließendem Wasser.
- Wischen Sie die Akku-Magnetleuchten und das Zubehör mit einem leicht angefeuchteten Tuch ab.
- Wischen Sie die Akku-Magnetleuchten und das Zubehör vollständig trocken.

- Lagern Sie die Akku-Magnetleuchte bei Nichtverwendung an einem trockenen Ort und achten Sie darauf, dass sie ausgeschaltet ist.

● Fehlerbehebung

- = Fehler
- ⊙ = Ursache
- = Lösung

- = Das Produkt leuchtet nicht.
- ⊙ = Der Akku muss aufgeladen werden.
- = Laden Sie die Akku-Magnetleuchten über die Mikro-USB-Buchse mit dem mitgelieferten USB-Ladekabel auf. Die Ladezeit beträgt ca. 2-3 Stunden.

- = Die Ladeindikation leuchtet nicht während des Ladevorganges.
- ⊙ = Die Akku-Magnetleuchten haben keine Stromzufuhr.
- = Bitte überprüfen Sie, ob Ihr Netzadapter und das USB-Ladekabel korrekt eingesteckt sind.

● Entsorgung



Beachten Sie die Kennzeichnung der Verpackungsmaterialien bei der Abfalltrennung, diese sind gekennzeichnet mit Abkürzungen (a) und Nummern (b) mit folgender Bedeutung:

- 1–7: Kunststoffe
- 20–22: Papier und Pappe
- 80–98: Verbundstoffe



Möglichkeiten zur Entsorgung des ausgedienten Produkts erfahren Sie bei Ihrer Gemeinde- oder Stadtverwaltung.



Werfen Sie Ihr Produkt, wenn es ausgedient hat, im Interesse des Umweltschutzes nicht in den Hausmüll, sondern führen Sie es einer fachgerechten Entsorgung zu.

Über Sammelstellen und deren Öffnungszeiten können Sie sich bei Ihrer zuständigen Verwaltung informieren.

Defekte oder verbrauchte Akkus müssen gemäß Richtlinie 2006/66/EG und deren Änderungen recycelt werden. Geben Sie Akkus und/oder das Produkt über die angebotenen Sammeleinrichtungen zurück.



Umweltschäden durch falsche Entsorgung der Akkus!

Akkus dürfen nicht über den Hausmüll entsorgt werden. Sie können giftige Schwermetalle*) enthalten und unterliegen der Sondermüllbehandlung. Batterien und Akkus, die nicht fest im Gerät verbaut sind, müssen vor der Entsorgung entfernt und separat entsorgt werden. Batterien und Akkus bitte nur in entladener Zustand abgeben! Verwenden Sie wenn möglich Akkus anstelle von Einwegbatterien.

*) gekennzeichnet mit: Cd = Kadmium, Hg = Quecksilber, Pb = Blei

Zur Demontage der Akkus sowie LEDs finden Sie eine Bedienungsanleitung auf unserer Homepage: www.citygate24.de

● Garantie

Sehr geehrte Kundin, sehr geehrter Kunde, Sie erhalten auf dieses Gerät 3 Jahre Garantie ab Kaufdatum. Im Falle von Produktmängeln stehen Ihnen gegenüber dem Verkäufer des Produkts gesetzliche Rechte zu. Diese gesetzlichen Rechte werden durch unsere im Folgenden dargestellten Garantiebedingungen nicht eingeschränkt.

Garantiebedingungen

Die Garantiefrist beginnt mit dem Kaufdatum. Bitte bewahren Sie den Original Kassenbon gut auf. Dieser wird als Nachweis für den Kauf benötigt. Tritt

innerhalb von drei Jahren ab dem Kaufdatum dieses Produkts ein Material- oder Fabrikationsfehler auf, wird das Produkt von uns – nach unserer Wahl – für Sie kostenlos repariert, ersetzt, oder der Kaufpreis erstattet. Diese Garantieleistung setzt voraus, dass innerhalb der Drei-Jahres-Frist das defekte Gerät und der Kaufbeleg (Kassenbon) vorgelegt und schriftlich kurz beschrieben wird, worin der Mangel besteht und wann er aufgetreten ist. Wenn der Defekt durch unsere Garantie gedeckt wird, erhalten Sie das reparierte oder ein neues Produkt zurück. Mit Reparatur oder Austausch des Produkts beginnt kein neuer Garantiezeitraum.

Garantiezeit und gesetzliche Mängelansprüche

Die Garantiezeit wird durch die Gewährleistung nicht verlängert. Dies gilt auch für ersetzte und reparierte Teile. Eventuell schon beim Kauf vorhandene Schäden und Mängel müssen sofort nach dem Auspacken gemeldet werden. Nach Ablauf der Garantiezeit anfallende Reparaturen sind kostenpflichtig.

Garantieumfang

Das Gerät wurde nach strengen Qualitätsrichtlinien sorgfältig produziert und vor Anlieferung gewissenhaft geprüft. Die Garantieleistung gilt für Material- oder Fabrikationsfehler. Diese Garantie erstreckt sich nicht auf Produktteile, die normaler Abnutzung ausgesetzt sind und daher als Verschleißteile angesehen werden können oder auf Beschädigungen an zerbrechlichen Teilen, z. B. Schalter, Akkus oder aus Glas gefertigte Teile. Diese Garantie verfällt, wenn das Produkt beschädigt, nicht sachgemäß benutzt oder gewartet wurde. Für eine sachgemäße Benutzung des Produkts sind alle in der Bedienungsanleitung aufgeführten Anweisungen genau einzuhalten. Verwendungszwecke und Handlungen, von

denen in der Bedienungsanleitung abgeraten oder vor denen gewarnt wird, sind unbedingt zu vermeiden. Das Produkt ist lediglich für den privaten und nicht für den gewerblichen Gebrauch bestimmt. Bei missbräuchlicher und unsachgemäßer Behandlung, Gewaltanwendung und bei Eingriffen, die nicht von unserer autorisierten Service-Niederlassung vorgenommen wurden, erlischt die Garantie.

Abwicklung im Garantiefall

Um eine schnelle Bearbeitung Ihres Anliegens zu gewährleisten, folgen Sie bitte den folgenden

Hinweisen:

- Bitte halten Sie für alle Anfragen den Kassenbon und die Artikelnummer (z. B. IAN 123456) als Nachweis für den Kauf bereit.
- Die Artikelnummer entnehmen Sie bitte dem Typenschild am Produkt, einer Gravur am Produkt, dem Titelblatt Ihrer Anleitung (unten links) oder dem Aufkleber auf der Rück- oder Unterseite des Produktes.
- Sollten Funktionsfehler oder sonstige Mängel auftreten, kontaktieren Sie zunächst die nachfolgend benannte Service-Abteilung telefonisch oder per E-Mail.
- Ein als defekt erfasstes Produkt können Sie dann unter Beifügung des Kaufbelegs (Kassenbon) und der Angabe, worin der Mangel besteht und wann er aufgetreten ist, für Sie portofrei an die Ihnen mitgeteilte Service-Anschrift übersenden.

● **Service**



Service Deutschland
Tel.: 00800 80040044
E-Mail: administration@mynetsend.de



Service Österreich
Tel.: 00800 80040044
E-Mail: administration@mynetsend.de



Service Schweiz
Tel.: 00800 80040044
E-Mail: administration@mynetsend.de

IAN 384240_2107


Bitte halten Sie für alle Anfragen den Kassenbon und die Artikelnummer (z. B. IAN 123456) als Nachweis für den Kauf bereit.


Eine aktuelle Version der Bedienungsanleitung finden Sie unter: www.citygate24.de



citygate24 GmbH

Lange Mühren 1
20095 Hamburg
GERMANY

 12/2021
Model No.: 970-M

 03/2022

IAN 384240_2107

