



PARASOL

GB **CY**

PARASOL

Operating and safety information

RS

SUNCOBRAN

Uputstva za rukovanje i bezbednost

BG

СЛЪНЦЕЗАЩИТЕН ЧАДЪР

Указания за експлоатация и безопасност

DE **AT** **CH**

SONNENSCHIRM

Bedienungs- und Sicherheitshinweise

HR

SUNCOBRAN

Upute za uporabu i sigurnost

RO

UMBRELĂ DE SOARE

Indicații de operare și siguranță

GR **CY**

ΟΜΠΡΕΛΑ ΗΛΙΟΥ

Οδηγίες λειτουργίας και ασφαλείας

IAN 400303_2107





GB **CY**

Before you start reading, please fold out the illustrations page and familiarise yourself with all of the item's functions.

HR

Prije čitanja otvorite stranicu s prikazima te se potom upoznajete sa svim funkcijama proizvoda.

RS

Pre nego što počnete da čitate rasklopite stranicu sa slikama i upoznajete se sa svim funkcijama ovog proizvoda.

RO

Înainte să citiți, desfășurați pagina cu figurile și familiarizați-vă cu toate funcțiile articolului.

BG

Преди четене отворете страницата с изображенията и се запознайте с всички функции на артикула.

GR **CY**

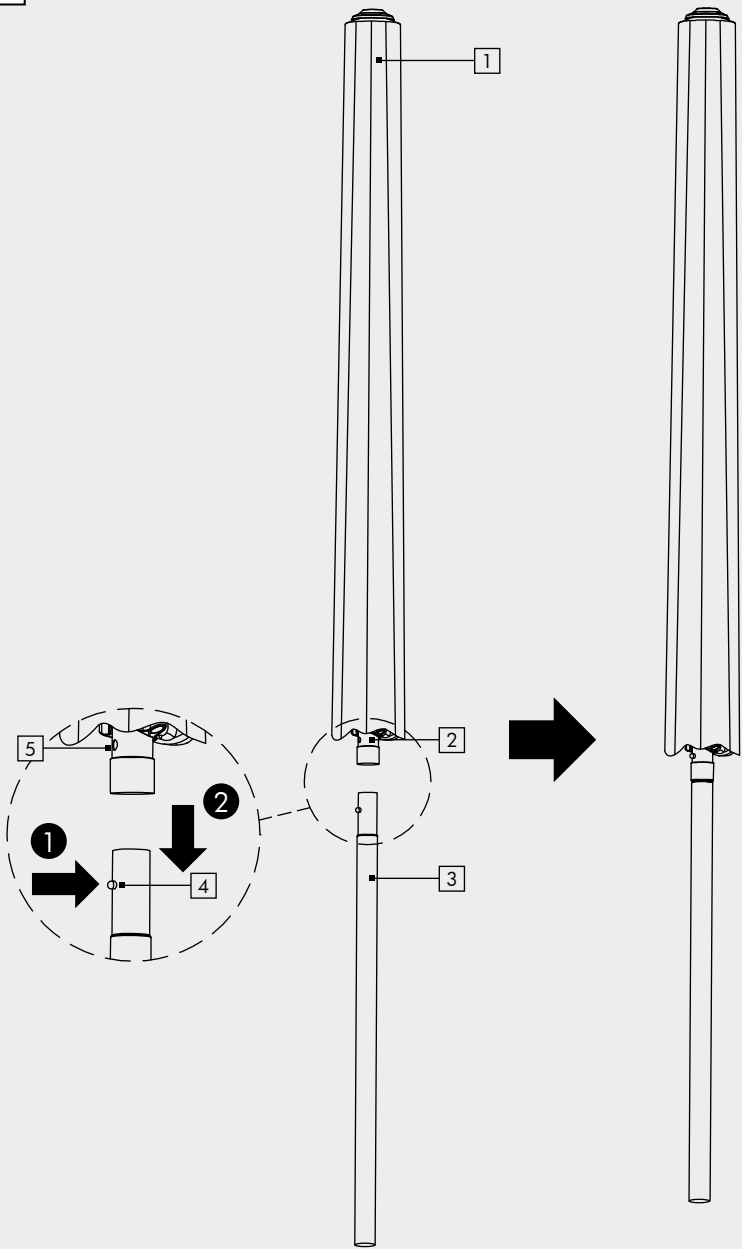
Πριν διαβάσετε, ξεδιπλώστε τη σελίδα με τις εικόνες και στη συνέχεια εξοικειωθείτε με όλες τις λειτουργίες του άρθρου.

DE **AT** **CH**

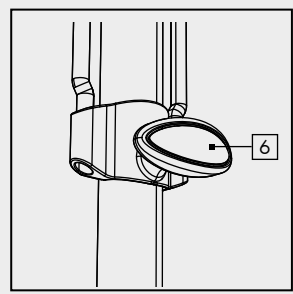
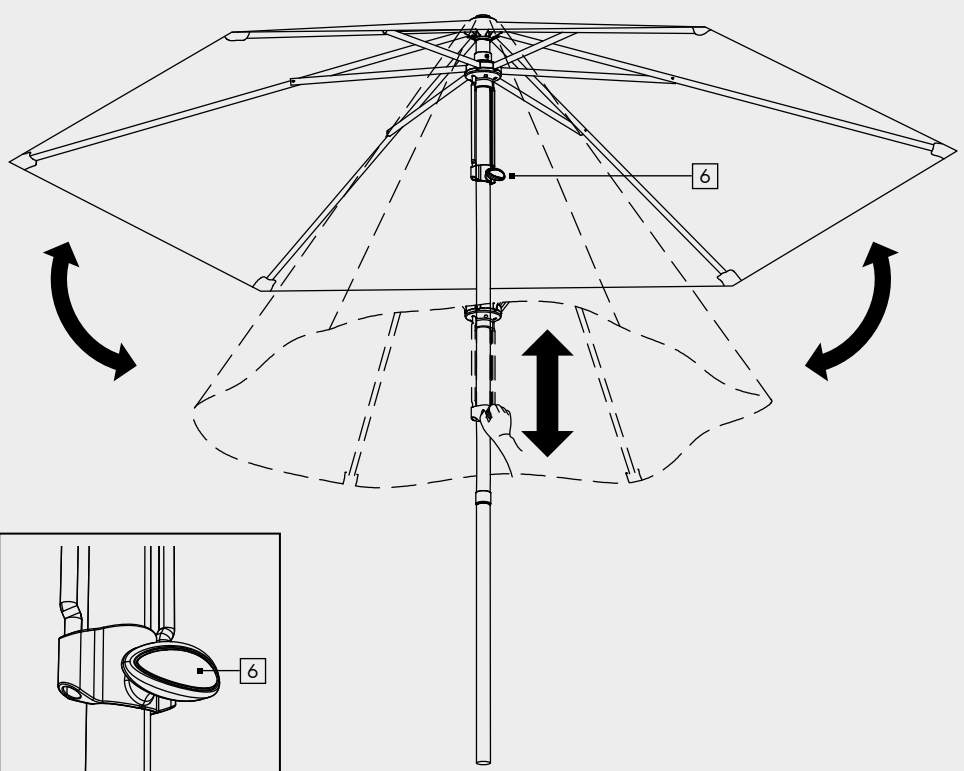
Klappen Sie vor dem Lesen die Seite mit den Abbildungen aus und machen Sie sich anschließend mit allen Funktionen des Artikels vertraut.

GB/CY	Operating and safety information	page	7
HR	Upute za uporabu i sigurnost	stranica	11
RS	Uputstva za rukovanje i bezbednost	strana	16
RO	Indicații de operare și siguranță	pagina	22
BG	Указания за експлоатация и безопасност	страница	27
GR/CY	Οδηγίες λειτουργίας και ασφαλείας	σελίδα	33
DE/AT/CH	Bedienungs- und Sicherheitshinweise	Seite	38

A



B



GB	CY	
Introduction		7
Explanation of symbols		7
Intended use		7
Included in package		7
Description of parts		7
Technical specifications		7
Safety instructions		8
Assembly and installation		9
Opening/closing the parasol		9
Cleaning and storage		9
Disposal		9
Warranty		10
Service		11

HR	
Uvod	11
Tumač znakova	11
Namjenska upotreba	12
Opseg isporuke	12
Opis dijelova	12
Tehnički podaci	12
Sigurnosne napomene	12
Montaža	13
Otvaranje/zatvaranje suncobrana ..	14
Čišćenje i skladištenje	14
Zbrinjavanje	14
Jamstvo	14
Servis	15

RS	
Uvod	16
Objašnjenje znakova	16
Namena	16
Obim isporuke	16
Opis delova	16
Tehnički podaci	16
Bezbednosne napomene	17
Montaža	18
Otvaranje/zatvaranje suncobrana ..	18
Čišćenje i skladištenje	18
Odlaganje u otpad	19
Garancija	19
Servis	20

RO	
Introducere	22
Explicarea simbolurilor	22
Utilizarea conform destinației	22
Furnitură	22
Descrierea componentelor	22
Date tehnice	22
Indicații de siguranță	23
Montaj	24
Deschiderea/închiderea umbrelei de soare	24
Curățarea și depozitarea	24
Eliminarea	25
Garanția	25
Service	26

BG

Въведение	27
Обяснение на знаците	27
Употреба по предназначение	27
Обхват на доставката	27
Описание на частите	27
Технически данни	27
Указания за безопасност	28
Монтаж	29
Отваряне/затваряне на градинския чадър	29
Почистване и съхранение	30
Събиране на отпадъците	30
Гаранция	30
Сервизно обслужване	32

GR CY

Εισαγωγή	33
Επεξήγηση συμβόλων	33
Προβλεπόμενη χρήση	34
Περιεχόμενο συσκευασίας	34
Περιγραφή εξαρτημάτων	34
Τεχνικά στοιχεία	34
Υποδείξεις ασφαλείας	34
Εγκατάσταση	35
Άνοιγμα/κλείσιμο ομπρέλας ηλίου	36
Καθαρισμός και αποθήκευση	36
Απόρριψη	36
Εγγύηση	37
Σέρβις	38

DE AT CH

Einleitung	38
Zeichenerklärung	38
Bestimmungsgemäße Verwendung	39
Lieferumfang	39
Teilebeschreibung	39
Technische Daten	39
Sicherheitshinweise	39
Montage	40
Sonnenschirm öffnen/schließen	41
Reinigung und Lagerung	41
Entsorgung	41
Garantie	42
Service	43

Parasol

● Introduction



Congratulations on the purchase of your new product. You have chosen a high-quality product. Please read these operating instructions thoroughly and carefully. These instructions are an essential part of the product and contain important information on first-time use and handling. Always observe all safety instructions. If you have any questions or are unsure how to operate the product, please contact your retailer or service centre. Please keep this manual in a safe place and pass it on to third parties where necessary.

● Explanation of symbols



Read the operating instructions!



Issue date of instruction manual (month/year)



Date of manufacture (month/year)



Risk of fatal injury and accidents for infants and children!



Observe warning notices and safety instructions!



UV protection factor



Water repellent



Dirt repellent



Ensure sufficient distance between the product and any obstacles



Do not adjust forcibly



Dismount product in windy weather

 Do not wash!



Dispose of packaging and product in an environmentally friendly manner!



Packaging made of FSC certified wood mix

● Intended use

This product is intended for use in private households only. It is unsuitable for commercial use. Any type of use other than that described herein or any modification of the product is prohibited and likely to cause damage or even personal injury. The manufacturer or retailer accepts no liability for loss or damage that occurs as a result of use other than intended or incorrect use.

● Included in package

1 x parasol
1 x instruction manual

● Description of parts

- 1 Parasol
- 2 Pole (top)
- 3 Pole (base)
- 4 Snap stud
- 5 Snap hole
- 6 Handle

● Technical specifications

Model number: 1061-G
Material (ribs): Steel
Dimensions (H x Ø): 235 x 260 cm
Diameter (base pole): 38 mm
Weight (polyester canopy): 180 g/m²

UV protection factor: 50+

Minimum weight of
base (not included): 50 kg

● **Safety instructions**



Safety instructions



▲ WARNING!

RISK OF FATAL INJURY AND ACCIDENTS TO INFANTS AND CHILDREN!

- Never leave children unsupervised with the packaging material. There is a danger of suffocation from the packaging material. Children often underestimate the dangers. Always keep children away from the product.
- This product can be used by children aged 8 years and over, as well as by persons with limited physical, sensory or mental abilities or lacking in experience and knowledge if they have been supervised and instructed as to the safe use of the product and understand the resulting hazards. Do not let children play with the product. Cleaning and maintenance may not be carried out by children without proper supervision.
 - Keep children away from the work area during installation. The product as supplied includes a number of screws and other small parts. These can be fatal if they are swallowed or inhaled.
 - This product is not a toy!
 - Do not leave children unattended near the product.
 - Do not use the product if you notice any damage.
 - The manufacturer/distributor of this product accepts no responsibility whatsoever for personal injury or damage resulting from incorrect installation or use.
 - Never tamper with or modify the product. Never use the product with external tubes



RISK OF INJURY! Incorrect handling of the product or incorrect installation may potentially result in personal injury.

- Discontinue using the product if screws have loosened or if its metal or plastic parts show deformities, cracks, tears or other damage.
- Plastic and metal react to mechanical stress or temperature changes by expanding or contracting. Check all screw connections regularly and tighten if required.
- Never hang your weight on the product or pull yourself up by it.
- The product can protect your skin from direct UV radiation, but not from reflected sunlight. Always wear sunscreen additionally.
- When installing and using the product, be careful not to get your fingers trapped.
- Only install the product on stable, even surfaces.
- Do not place the product on sandy or soft ground or on loose soil.
- Do not leave the product unattended while in use.



RISK OF DAMAGE! Improper handling of the product may result in damage to the product.

- Do not use steam cleaners for cleaning.
 - Stop using the product if the plastic components of the product have cracks or have become deformed. Only replace faulty parts using matching original components.
 - Use a suitable base for the product.
- Please note:** Please observe the instructions provided by the manufacturer of the base.
- Dismount product when windy weather or thunderstorms are expected.
 - Dismount the product during longer periods of rain or snow to protect it from excessive

stress.

- Do not hang items on the product.
- Always secure the product with sufficient ballasting.
- Never light an open fire near or underneath the product. Keep the product away from heat sources.

● Assembly and installation

Please note: Take the product out of its packaging and remove all packing material.

- Check that all package contents are present.
- Check if the product or individual parts are damaged. If that is the case, do not use the product. Contact the distributor via the service address given in the warranty section.



RISK OF INJURY! Improper handling of the product may result in damage to the product.

- Use a base with a minimum weight of 50 kg.
- Do not place the product on sandy or soft ground or on loose soil.
- Place the product in a suitable base (not included in delivery) and position in the desired spot.
- Always make sure that the lower part of the (base) pole [3] is inserted at least 40 cm deep into the base.
- Insert the (base) pole [3] into the base and fasten, following the instructions provided by the manufacturer of the base.
- Make sure the product is firmly fixed in place.
- Position the parasol [1] above the (base) pole [3] (see Fig. A). Let the (top) pole [2] glide over the (base) pole [3] (see Fig. A).
- Make sure that the snap stud [4] is aligned with the hole [5] (see Fig. A).



RISK OF TRAPPING/PINCHING!

Take care not to get your hand trapped.

- For easy assembly, press down on the snap stud [4] while letting the (top) pole [2] glide over the (base) pole [3] (see Fig. A).
- Make sure the snap stud [4] fits exactly into the hole [5].
- For easy disassembly, press down on the snap stud [4] while lifting the (top) pole [2] until you can remove the pole.

● Opening/closing the parasol

- To open the parasol, push the handle [6] upwards until the parasol has fully opened (See Fig. B).
- To close the parasol, pull down the handle [6] until the parasol has fully closed.

● Cleaning and storage

- Do not use corrosive cleaning agents, brushes with metal or nylon bristles or sharp or metallic cleaning implements such as knives, hard spatulas or the like. These may damage surfaces.
- The canopy fabric is not washable.
- Use only a dry, lint-free cloth for cleaning. If the product is very dirty, dampen the cloth slightly.
- All parts must be completely dry before storage.
- In winter, store the product in a cool, dry place. Avoid storing the product in a heated room.

● Disposal



Note the labels on the packaging materials when sorting the waste; they are marked with abbreviations (a) and numbers (b) with the following meanings:

- 1-7: Plastics
- 20-22: Paper and cardboard
- 80-98: Composite materials



You can find out how to dispose of the used product by contacting your local district or city council.

In the interest of environmental protection, when the product has reached the end of its useful life, do not dispose of it as general household waste but have it properly recycled. For information on recycling centres and their opening times, please contact your local council.

● **Warranty**

Dear customer, This product comes with a 3-year warranty from the date of purchase. In the event that this product is faulty, you have legal rights against the seller of the product. These statutory rights are not restricted by our warranty as set out below.

Warranty terms

The warranty period begins with the date of purchase. Please keep the original receipt in a safe place. It is required as proof of purchase. If a material or manufacturing defect occurs within three years of the date of purchase, we will repair or replace the product for you free of charge, or refund the purchase price, at our discretion. This warranty service is granted provided that the faulty device and the proof of purchase (receipt) are presented within three years, along with a brief written description of the fault and of when it occurred. If the fault is covered by our warranty, we will return the fixed product or send you a new one. No new warranty period shall begin upon repair or replacement of the product.

Warranty period and statutory warranty claims

The warranty period is not renewed after a warranty service has been granted. This rule shall also apply for any replaced or repaired parts. Any damage or faults that already

existed when buying the product must be reported immediately upon unpacking the product. A fee is charged for any repairs that are carried out after the end of the warranty period.

Warranty scope

The device was carefully manufactured according to the strictest quality guidelines and thoroughly tested before delivery. The warranty applies to material or manufacturing defects. This warranty does not apply to product parts that are subject to normal wear and tear and can therefore be regarded as wearing parts, or damage to fragile parts, such as switches, rechargeable batteries or parts that are made of glass. This warranty is void if the product has been damaged, improperly used or serviced. To ensure proper use, all instructions included in the manual must be followed carefully. All uses and actions that users are discouraged from or warned of in the manual must be avoided under all circumstances. The product is intended for private household use only, and not for commercial activities. The warranty is void, if the product is treated inappropriately, if force is applied, and in the case of any manipulation that is not carried out by our authorised service branch.

Warranty processing

To ensure your request is handled swiftly, please observe the following **Notes**:

- Please have the receipt and the article number (e.g. IAN 123456) ready as proof of purchase for all enquiries.
- Please refer to the type plate on the product, an engraving on the product, the cover of the manual (bottom left) or the sticker on the back or base of the product to find out the product number.
- In the case of any malfunctions or other defects, please call or email the service department indicated below as a first step.
- After your product has been registered as

faulty, you can send it to the specified service address, free of charge. Please include the proof of purchase (receipt) and information about the defect and about when it occurred.

● **Service**



Service Great Britain
Tel. : 00800 80040044
E-Mail: administration@mynetsend.de



Service Cyprus
Tel. : 00800 80040044
E-Mail: administration@mynetsend.de

IAN 400303_2107

Please have the receipt and the article number (e.g. IAN 123456) ready as proof of purchase for all enquiries.

You can find an up-to-date version of the operating instructions at: www.citygate24.de

Suncobran

● **Uvod**



Čestitamo Vam na kupnji Vašeg novog proizvoda. Ovime ste se odlučili za kvalitetan proizvod.

Molimo pažljivo i do kraja pročitajte ove upute za uporabu. Ove su upute dio ovog proizvoda i sadrže važne napomene za stavljanje u pogon i rukovanje. Uvijek se pridržavajte svih sigurnosnih uputa. Ako imate bilo kakvih pitanja ili niste sigurni u vezi s rukovanjem proizvodom, obratite se Vašem trgovcu ili servisnom centru. Molimo čuvajte ove upute na sigurnom mjestu i prosljedite ih trećim osobama, ako je potrebno.

● **Tumač znakova**



Pročitajte upute za uporabu!



Datum izdavanja uputa za uporabu (mjesec/godina)



Datum proizvodnje (mjesec/godina)



Opasnost po život i od nezgoda za malu djecu i djecu!



Pridržavajte se upozorenja i sigurnosnih uputa!



Faktor zaštite od UV zraka



Vodonepropustan



Odbija prljavštinu



Osigurajte dovoljno razmaka između proizvoda i prepreka



Ne prilagođavajte proizvod silom



Rastavite proizvod u slučaju vjetra

☒☒☒☒ Ne perite proizvod!



Ambalažu i proizvod zbrinite na ekološki prihvatljiv način!



Ambalaža od miješanog drva s FSC certifikatom

● Namjenska upotreba

Ovaj proizvod je namijenjen samo za korištenje u privatnim kućanstvima i nije prikladan za industrijsku uporabu. Uporaba na drugačiji način od opisanog ili preinaka proizvoda nije dozvoljena i može prouzročiti materijalne štete ili čak i tjelesne ozljede. Proizvođač ili trgovac ne preuzima odgovornost za štete koje su nastale nenamjenskom ili pogrešnom uporabom.

● Opseg isporuke

1 x suncobran
1 x upute za uporabu

● Opis dijelova

- 1 Suncobran
- 2 Potporna cijev (gore)
- 3 Potporna cijev (dolje)
- 4 Gumb za pritiskanje
- 5 Otvor
- 6 Ručka

● Tehnički podaci

Broj modela: 1061-G
Materijal (žbice): čelik
Dimenzije (V x Ø): 235 x 260 cm
Promjer (donja potporna cijev): 38 mm
Težina (poliesterska navlaka): 180 g/m²

Faktor zaštite od UV zraka: 50+

Minimalna težina stalka za suncobran (nije uključen u isporuku): 50 kg

● Sigurnosne napomene



Sigurnosne napomene



⚠ UPOZORENJE!

OPASNOST PO ŽIVOT I OD NEZGODA ZA MALU DJECU I

- DJECU!** Nikada ne ostavljajte djecu bez nadzora s ambalažom. Postoji opasnost od gušenja zbog ambalaže. Djeca često podcjenjuju opasnosti. Djecu uvijek držite podalje od proizvoda.
- Ovaj proizvod mogu koristiti djeca starija od 8 godina te osobe sa smanjenim fizičkim, osjetilnim ili mentalnim sposobnostima ili nedostatkom iskustva i znanja, ako su nadzirane ili upućene u sigurnu uporabu proizvoda i razumiju opasnosti koje iz toga proizlaze. Djeci nije dopušteno igrati se s proizvodom. Čišćenje i održavanje od strane korisnika ne smiju izvoditi djeca bez nadzora.
 - Tijekom montaže držite djecu podalje od radnog područja. Opseg isporuke uključuje različite vijke i druge sitne dijelove. Oni mogu biti opasni po život ako se progutaju ili udišu.
 - Ovaj proizvod nije dječja igračka!
 - Vodite brigu o tome da se djeca ne zadržavaju u blizini proizvoda bez nadzora.
 - Nemojte koristiti proizvod ako primijetite bilo kakvu vrstu oštećenja.
 - Proizvođač/prodavatelj ovog proizvoda ne preuzima nikakvu odgovornost za povrede ili štete koje su nastale uslijed nepravilne montaže/pogrešne uporabe.

- Nikada nemojte manipulirati ili mijenjati proizvod. Nemojte zavarivati eksterne šipke na proizvod te stavljati električne uređaje na proizvod i pojedine dijelove.



OPASNOST OD OZLJEDA!

Neppravilno rukovanje proizvodom i pogrešna montaža mogu dovesti do povreda.

- Nemojte više koristiti proizvod ako su olabavljeni vijčani spojevi ili ako metalni i plastični dijelovi imaju deformacije, napukline ili druga oštećenja.
- Plastika i metal reagiraju na opterećenja i temperaturne utjecaje na način da se šire i skupljaju. Redovno provjeravajte sve vijčane spojeve i ev. ihategnite.
- Ne vješajte se na proizvod i ne podižite se povlačenjem po proizvodu.
- Proizvod može zaštititi Vašu kožu od direktnog UV zračenja, ali ne od reflektirajućih sunčevih zraka. Koristite dodatnu zaštitu od sunca.
- Prilikom montaže i uporabe proizvoda vodite brigu o tome da ne prignječite svoje prste.
- Proizvod postavite na ravnu i stabilnu površinu.
- Ne postavljajte proizvod na pješčanom, ilovastom tlu ili na rahloj zemlji.
- Ne ostavljajte proizvod bez nadzora tijekom uporabe.



OPASNOST OD OŠTEĆENJA!

Neppravilno rukovanje proizvodom može dovesti do oštećenja proizvoda.

- Ne koristite parne čistače za čišćenje.
- Nemojte više koristiti proizvod ako komponente proizvoda imaju pukotine ili napukline ili su se deformirale. Oštećene komponente zamijenite samo odgovarajućim originalnim zamjenskim dijelovima.
- Za ovaj proizvod koristite prikladni stalak za suncobran.

Napomena: Pritom poštuajte podatke proizvođača stalka za suncobrane.

- Rastavite proizvod u slučaju dolaska vjetra ili nevremena.
- Rastavite proizvod u slučaju kiše ili snijega kako biste ga zaštitili od prekomjernog opterećenja.
- Ne vješajte predmete na proizvod.
- Koristite proizvod samo s dovoljnim balastom.
- Nikada ne palite otvorenu vatru u blizini ili ispod proizvoda. Proizvod držite podalje od izvora vrućine.

● Montaža

Napomena: Izvadite proizvod iz ambalaže i uklonite sve materijale ambalaže.

- Provjerite je li isporuka potpuna.
- Provjerite ima li oštećenja na proizvodu ili pojedinačnim dijelovima. Ako je to slučaj, nemojte koristiti proizvod. Obratite se distributeru putem adrese servisa koja je navedena u garanciji.



OPASNOST OD OZLJEDA!

Neppravilno rukovanje proizvodom može dovesti do oštećenja proizvoda.

- Nikada ne postavljajte proizvod bez prikladnog stalka za suncobran.
- Minimalna težina stalka za suncobran mora iznositi 50 kg.
- Ne postavljajte proizvod na pješčanom, ilovastom tlu ili na rahloj zemlji.
- Stavite prikladan stalak za suncobran (nije uključen u isporuku) na željenu poziciju.
- Vodite brigu o tome da je donji završetak potporne cijevi (dolje) **3** uvučen u stalak za suncobran najmanje 40 cm.
- Fiksirajte potpornu cijev (dolje) **3** u stalku za suncobran kao što je opisano u uputama za uporabu proizvođača stalka za suncobrane.
- Pripazite da je sve dobro pričvršćeno.
- Pričvrstite suncobran **1** na potpornu cijev (dolje) **3** (vidi sliku A). Potpornu cijev (gore) **2** umetnite preko potporne cijevi

(dolje) **3** (vidi sl. A).

- Otvor **5** u tu svrhu usmjerite prema gumbu za pritiskanje **4** (vidi sl. A).



OPASNOST OD PRIGNJEČENJA!

Pazite na to da ne prignječite ruke.

- Za jednostavnu montažu, pritisnite gumb za pritiskanje **4** dok potpornu cijev (gore) **2** pomičete preko potporne cijevi (dolje) **3** (vidi sl. A).
- Provjerite da se gumb za pritiskanje **4** nalazi u otvoru **5**.
- Za demontažu pritisnite gumb za pritiskanje **4** i podignite potpornu cijev (gore) **2** dok se spoj ne odvoji.

● Otvaranje/zatvaranje suncobrana

- Za otvaranje suncobrana pomičite ručku **6** prema gore sve dok se suncobran potpuno ne otvori (vidi sl. B).
- Za zatvaranje suncobrana pomičite ručku **6** prema dolje sve dok se suncobran potpuno ne zatvori.

● Čišćenje i skladištenje

- Ne koristite agresivna sredstva za čišćenje, četke s metalnim ili najlonskim čekinjama niti oštre ili metalne predmete za čišćenje poput noževa, tvrdih lopatica i slično. Oni mogu oštetiti površinu.
- Navlaka nije periva.
- Za čišćenje koristite samo suhu krpu bez dlačica. U slučaju jačeg zaprljanja lagano navlažite krpu.
- Svi dijelovi moraju prije skladištenja biti potpuno suhi
- Proizvod skladištite zimi na hladnom, suhom mjestu. Izbjegavajte skladištenje proizvoda u grijanoj prostoriji.

● Zbrinjavanje



Pri razvrstavanju otpada vodite računa o oznakama na ambalaži, ona je označena kraticama (a) i brojevima (b) sa sljedećim značenjem:

1–7: Plastike

20–22: Papir i ljepenka

80 – 98: Kompozitni materijali

Možete se obratiti Vašoj općinskoj ili gradskoj upravi za opcije odlaganja dotrajalog proizvoda.



U interesu zaštite okoliša, nemojte odlagati Vaš dotrajali proizvod kao kućni otpad, nego ga zbrinite na profesionalan način. Kako biste saznali gdje se nalaze mjesta prikupljanja i njihovo radno vrijeme, možete se obratiti nadležnoj lokalnoj upravi.

● Jamstvo

Poštovani kupci, za ovaj proizvod dobivate 3 godine jamstva od datuma kupnje. U slučaju nedostataka na ovom proizvodu imate zakonska prava u odnosu na prodavatelja proizvoda. Ova zakonska prava nisu ograničena našim niže navedenim jamstvom.

Uvjeti jamstva

Jamstveni rok počinje teći s datumom kupnje. Molimo dobro čuvajte originalni račun. On je potreban kao dokaz o kupnji. Ako se pojave nedostaci u materijalu ili izradi unutar tri godine od datuma kupnje ovog proizvoda, proizvod će se - prema našem izboru - besplatno popraviti, zamijeniti ili izvršiti povrat novca. Za ovo jamstvo potrebno je unutar trogodišnjeg jamstvenog razdoblja dostaviti neispravan uređaj i potvrditi o kupnji (račun), kao i kratak opis nedostatka i trenutka njegovog nastanka. Ako je nedostatak pokriven našim jamstvom, vratit ćemo Vam popravljene ili novi

proizvod. S popravkom ili zamjenom proizvoda ne započinje novo jamstveno razdoblje.

Jamstveno razdoblje i zakonski zahtjevi u slučaju nedostataka

Jamstveno razdoblje se ne produljuje uslugom iz jamstva. Isto vrijedi i za zamijenjene i popravljene dijelove. Oštećenja i nedostaci koji se utvrde nakon kupnje prilikom raspakiranja moraju se odmah prijaviti. Potrebni popravci po isteku jamstvenog razdoblja se naplaćuju.

Opseg jamstva

Uređaj je pažljivo proizveden u skladu sa strogim smjernicama za kvalitetu te je uredno ispitano prije isporuke. Jamstvo se odnosi na materijalne ili proizvodne nedostatke. Ovo jamstvo ne obuhvaća dijelove proizvoda koji su podložni normalnom trošenju i stoga se mogu smatrati potrošnim dijelovima niti oštećenja lomljivih dijelova, kao što su prekidači, baterije ili dijelovi proizvedeni od stakla. Ovo jamstvo prestaje važiti ako je proizvod oštećen, nepravilno korišten ili servisiran. Za pravilno korištenje proizvoda potrebno je pridržavati se svih uputa navedenih u uputama za uporabu. Namjene i radnje koje nisu preporučene ili na koja se upozorava u uputama za uporabu moraju se obavezno izbjegavati. Ovaj proizvod namijenjen je samo za privatnu uporabu i nije predviđen za komercijalnu uporabu. Jamstvo se poništava u slučaju zlouporabnog i nepravilnog rukovanja, primjene sile i intervencija koje nisu izvršene od strane našeg ovlaštenog servisnog predstavništva.

Postupak u slučaju zahtjeva temeljem jamstva

Kako bi se osigurala brza obrada Vašeg zahtjeva, pratite sljedeće **Napomene:**

Molimo Vas da za sve upite imate pri ruci račun i broj artikla (npr. IAN 123456) kao

dokaz o kupnji.

- Broj proizvoda možete naći na tipskoj pločici na proizvodu, žigu na proizvodu, na naslovnoj stranici uputa (dolje lijevo) ili na naljepnici na stražnjoj ili donjoj strani proizvoda.
- U slučaju da dođe do smetnji u radu ili sličnih nedostataka, prvo se putem telefona ili e-pošte obratite servisu koji je naveden u nastavku.
- Proizvod, za koji je utvrđeno da je neispravan, možete poslati na Vama dojavljenu adresu servisa bez plaćanja poštarine, uz prilaganje potvrde o kupnji (račun) i navođenje nedostatka i trenutka njegovog nastanka.

(1) U slučaju manjeg popravka jamstveni rok se produljuje onoliko koliko je kupac bio lišen uporabe stvari.

(2) Međutim, kad je zbog neispravnosti stvari izvršena njezina zamjena ili njezin bitni popravak, jamstveni rok počinje teći ponovno od zamjene, odnosno od vraćanja popravljene stvari.

(3) Ako je zamijenjen ili bitno popravljen samo neki dio stvari, jamstveni rok počinje teći ponovno samo za taj dio.

● Servis



Servis Hrvatska
Tel. : 00800 80040044
E-Mail: administration@mynetsend.de

IAN 400303_2107

Molimo Vas da za sve upite imate pri ruci račun i broj artikla (npr. IAN 123456) kao dokaz.

Aktualnu verziju uputa za uporabu možete pronaći na: www.citygate24.de

Suncobran

● Uvod



Čestitamo Vam na kupovini novog proizvoda. Odlučili ste se za veoma kvalitetan proizvod. Potrebno je da pažljivo pročitate kompletno uputstvo za rukovanje. Ovo uputstvo je sastavni deo proizvoda i sadrži važne instrukcije za puštanje u rad i rukovanje. Uvek se pridržavajte svih bezbednosnih napomena. Ako imate bilo kakvih pitanja ili niste sigurni u rukovanje proizvodom, obratite se prodavcu ili servisnom centru. Pažljivo čuvajte ovo uputstvo i po potrebi ga prosledite drugima.

● Objašnjenje znakova



Pročitati uputstvo za rukovanje!



Datum izdavanja uputstva za upotrebu (mesec/godina)



Datum proizvodnje (mesec/godina)



Opasnost po život i opasnost od nesreća po manju i veću decu!



Voditi računa o upozorenjima i bezbednosnim napomenama!



UV zaštitni faktor



Vodoodbojno



Odbija prljavštinu



Obezbedite dovoljno rastojanje između proizvoda i prepreka



Ne podešavati na silu.



Demontirajte proizvod u slučaju vetra

☒☒☒☒☒ Ne perite!



Ambalažu i proizvod odložite na ekološki prihvatljiv način!



Ambalaža od mešovitog drveta sa FCS sertifikatom

● Namena

Ovaj proizvod je namenjen za korišćenje u privatnim domaćinstvima i nije pogodan za komercijalnu upotrebu.

Drugačija upotreba od prethodno opisane ili modifikacija proizvoda nije dozvoljena i može dovesti do materijalne štete, pa čak i do telesnih povreda. Proizvođač ili prodavac ne preuzima nikakvu odgovornost za štete koje su nastale usled nenamenske ili pogrešne upotrebe.

● Obim isporuke

1 x suncobran
1 x uputstvo za upotrebu

● Opis delova

- 1 Suncobran
- 2 Cev postolja (gore)
- 3 Cev postolja (dole)
- 4 Potisno dugme
- 5 Otvor
- 6 Drška

● Tehnički podaci

Broj modela: 1061-G
Materijal (kraci): Čelik
Dimenzije (V x Ø): 235 x 260 cm
Prečnik (donja cev postolja): 38 mm

Težina (poliesterska presvlaka):	180 g/m ²
UV zaštitni faktor:	50+
Minimalna težina postolja suncobrana (nije sadržano u obimu isporuke):	50 kg

● **Bezbednosne napomene**



Bezbednosne napomene



▲ UPOZORENJE!

OPASNOST PO ŽIVOT I OPASNOST OD NESREĆA PO

MANJU I VEĆU DECU! Nikada nemojte da ostavljate decu bez nadzora sa ambalažnim materijalom. Postoji opasnost od gušenja ambalažnim materijalom. Deca često potcenjuju opasnosti. Udaljite decu od proizvoda.

- Ovaj proizvod mogu koristiti deca starija od 8 godina, kao i osobe sa smanjenim fizičkim, senzoričkim ili mentalnim sposobnostima, ili osobe sa nedostatkom iskustva i znanja, ako su nadgledane ili upućene u bezbedno korišćenje proizvoda i shvataju opasnosti koje iz toga proizlaze. Deca ne smeju da se igraju sa proizvodom. Čišćenje i održavanje koje obavlja korisnik ne smeju da obavljaju deca ako nisu pod nadzorom.
- Tokom montaže držite decu dalje od radnog područja. Obim isporuke uključuje veliki broj zavrtnjeva i drugih sitnih delova. Oni mogu da se progutaju ili udahnu, što može biti opasno po život.
- Proizvod nije dečija igračka!
- Vodite računa o tome da se deca ne zadržavaju bez nadzora u blizini proizvoda.
- Nemojte da koristite proizvod ako ustanovite bilo kakva oštećenja.
- Proizvođač/prodavac ovog proizvoda ne

preuzima nikakvu odgovornost za povrede ili štete koje nastanu kao posledica nepravilne montaže/pogrešne upotrebe.

- Nikada nemojte da manipulišete ili modifikujete proizvod. Nemojte zavarivati spoljne šipke na proizvod i ne postavljajte nikakve električne uređaje na proizvod i pojedinačne delove.



OPASNOST OD POVREDE!

Nepravilno rukovanje proizvodom, kao i pogrešna montaža mogu

dovesti do povreda.

- Nemojte više koristiti proizvod ukoliko su se zavrtnji olabavili ili ako su metalni ili plastični delovi proizvoda deformisani, napukli ili oštećeni na neki drugi način.
- Plastika i metal na opterećenja i temperaturne uticaje reaguju širenjem i skupljanjem. Redovno proveravajte sve spojeve sa zavrtnjima i po potrebi ih dotegnite.
- Ne vešajte se na proizvod i ne podižite se na njega.
- Proizvod može štitići Vašu kožu od direktnog UV zračenja, ali ne i od reflektovanih sunčevih zraka. Koristite dodatnu zaštitu od sunca.
- Prilikom montaže i upotrebe proizvoda vodite računa da ne nagnječite prste.
- Prilikom postavljanja proizvoda vodite računa o ravnoj i stabilnoj površini.
- Proizvod ne postavljati na peskovito, glinovito tlo ili na rastresitu zemlju.
- Tokom upotrebe ne ostavljate proizvod bez nadzora.



OPASNOST OD OŠTEĆENJA!

Nepravilno rukovanje proizvodom može dovesti do oštećenja

proizvoda.

- Nemojte za čišćenje koristiti paročistač.
- Nemojte više koristiti proizvod ukoliko su se na delovima proizvoda pojavile pukotine ili su delovi proizvoda napukli, odn. deformisani. Oštećene delove zamenite isključivo odgovarajućim originalnim rezervnim delovima.

- Za proizvod koristite odgovarajuće postolje suncobrana. Napomena: Pri tome vodite računa o specifikacijama proizvođača suncobrana.
- Demontirajte proizvod u slučaju vetra ili vremenskih nepogoda.
- Demontirajte proizvod u slučaju kiše ili snega da biste ga zaštitili od prekomernog opterećenja.
- Ne kačite predmete na proizvod.
- Koristite proizvod samo sa adekvatnim balastom.
- Nikada ne palite otvorenu vatru u blizini ili ispod proizvoda. Proizvod držite dalje od izvora toplote.

● Montaža

Napomena: Izvadite proizvod iz ambalaže i uklonite sve ambalažne materijale.

- Proverite da li je isporuka potpuna.
- Proverite da li ima znakova oštećenja na proizvodu ili pojedinačnim delovima. Ako je to slučaj, nemojte da koristite proizvod.



OPASNOST OD POVREDE!

Neppravilno rukovanje proizvodom može dovesti do oštećenja

proizvoda.

- Proizvod nikada ne postavljajte bez odgovarajućeg postolja za suncobran.
- Minimalna težina postolja za suncobran mora da iznosi 50 kg.
- Proizvod ne postavljati na peskovito, glinovito tlo ili na rastresitu zemlju.
- Postavite odgovarajuće postolje suncobrana (nije sadržano u obimu isporuke) na željenu poziciju:
- Vodite računa o tome da donji kraj cevi postolja (dole) [3] bude uvučen u postolje suncobrana najmanje 40 cm.
- Fiksirajte cev postolja (dole) [3] u postolje suncobrana, kao što je opisano u uputstvu za upotrebu proizvođača postolja suncobrana.
- Vodite računa o čvrstom naleganju.

- Učvrstite suncobran [1] na cev postolja (dole) [3] (vidi sl. A). Nataknite cev postolja (gore) [2] preko cevi postolja (dole) [3] (vidi sl. A).
- U tu svrhu poravnajte otvor [5] potisnim dugmetom [4] (vidi sl. A).



OPASNOST OD NAGNJEČENJA!

Vodite računa da ne nagnječite ruke.

- Za jednostavnu montažu pritisnite potisno dugme [4] dok gurate cev postolja (gore) [2] preko cevi postolja (dole) [3] (vidi sl. A).
- Uverite se da se potisno dugme [4] nalazi u otvoru [5].
- Za demontažu pritisnite potisno dugme [4] i podižite cev postolja (gore) [2] sve dok se spoj ne otpusti.

● Otvaranje/zatvaranje suncobrana

- Za otvaranje suncobrana gurajte ručicu [6] nagore sve dok se suncobran potpuno ne otvori (vidi sl. B).
- Za zatvaranje suncobrana gurajte ručicu [6] nagore sve dok se suncobran potpuno ne otvori (vidi sl. B).

● Čišćenje i skladištenje

- Nemojte da koristite agresivna sredstva za čišćenje, četke sa metalnim ili najlonskim čekinjama, kao ni oštre ili metalne predmete za čišćenje, kao što su nož, tvrda špahtla i slično. Ona bi mogla da oštete površine.
- Platno se ne pere.
- Za čišćenje koristite samo suhu krpu koja ne ostavlja vlakna. U slučaju jače zaprljanosti blago navlažite krpu.
- Pre skladištenja svi delovi moraju da budu potpuno suvi.
- Proizvod preko zime čuvajte na hladnom, suvom mestu. Izbegavajte da skladištite proizvod u zagrejanoj prostoriji.

● Odlaganje u otpad



Pri razvrstavanju otpada obratite pažnju na oznaku ambalažnog materijala koji se označava skraćenicama (a) i brojevima (b) sa sledećim značenjem:

1–7: Plastika

20–22: Papir i karton

80–98: Kompozitni materijal



Mogućnosti za odlaganje dotrajalog proizvoda možete saznati u opštinskoj ili gradskoj upravi.

U interesu zaštite životne sredine, nemojte odlagati svoj dotrajali proizvod kao kućni otpad, već ga odložite na stručan način. O mestima za prikupljanje i radnom vremenu možete se informisati kod lokalne uprave.

● Garancija

Poštovani kupci, za ovaj uređaj dobijate garanciju od 3 godine od datuma kupovine. U slučaju kvara na ovom proizvodu, imate zakonska prava na reklamaciju kod prodavca proizvoda. Ova zakonska prava nisu ograničena našom garancijom kao što je navedeno u nastavku.

Uslovi garancije

Garantni rok počinje od datuma kupovine. Sačuvajte originalni račun, isečak sa kase. On je potreban kao dokaz o kupovini. Ako dođe do greške u materijalu ili izradi u roku od tri godine od datuma kupovine ovog proizvoda, proizvod će biti besplatno popravljn ili zamenjen po našem nađenju, ili će biti vraćen novac u visini kupovne cene. Ova usluga garancije u okviru trogodišnjeg garantnog roka zahteva da se dostave neispravan uređaj i račun (isečak sa kase), kao i kratak opis nedostatka i vremena njegovog nastanka. Kada je nedostatak pokriven našom

garancijom, vratićemo Vam popravljn ili novi proizvod. Sa popravkom ili zamenom proizvoda ne započinje novi garantni rok.

Garantni rok i zakonski zahtevi u slučaju nedostataka

Garantni rok se ne produžava uslugom garancije. Ovo važi i za zamenjene i popravljne delove. Oštećenja i nedostaci koji se ustanove nakon raspakivanja posle kupovine moraju se odmah prijaviti. Popravke se naplaćuju nakon isteka garantnog roka.

Obim garancije

Uređaj je pažljivo proizveden u skladu sa strogim smernicama kvaliteta i pažljivo testiran pre isporuke. Garancija se odnosi na greške u materijalu ili izradi. Ova garancija ne pokriva delove proizvoda koji su podložni normalnom trošenju i habanju i stoga se mogu smatrati potrošnim delovima i ne pokriva oštećenje lomljivih delova, kao što su prekidači, punjive baterije ili delovi od stakla. Ova garancija prestaje da važi ako je proizvod oštećen, nepravilno korišćen ili servisiran. Za pravilno korišćenje proizvoda neophodno je pridržavati se svih instrukcija navedenih u uputstvu za upotrebu. Namene i rukovanja koja nismo preporučili ili na koja se upozorava u uputstvu za rad moraju se obavezno izbegavati. Ovaj proizvod je namenjen samo za privatnu upotrebu i nije predviđen za komercijalni sektor. Garancija se poništava u slučaju nepravilne upotrebe i nepravilnog rukovanja, primene sile i intervencija koje nisu izvršene od strane našeg ovlašćenog servisnog predstavništva.

Obrada u slučaju zahteva po osnovu garancije

Da bi se garantovala brza obrada Vašeg zahteva, pratite sledeće **Napomene:**

- Za sva pitanja pripremite račun i broj proizvoda (npr. IAN 123456) kao dokaz o kupovini.

- Broj proizvoda možete naći na tipskoj pločici na proizvodu, žigu na proizvodu, na naslovnoj strani uputstva (dole levo) ili na nalepnici na zadnjoj ili donjoj strani proizvoda.
- U slučaju da dođe do smetnje u radu ili sličnog nedostatka, prvo se putem telefona ili e-pošte obratite servisu koji je naveden u nastavku.
- Proizvod, za koji je ustanovljeno da je neispravan, možete da pošaljete na navedenu adresu servisa bez plaćanja poštarine, uz prilaganje računa (isečak sa kase) i navođenje nedostatka i vremena njegovog nastanka.

● Servis

RS

Servis Srbija
Tel.: 00800 80040044
E-Mail: administration@mynetsend.de

IAN 400303_2107

Aktuelnu verziju uputstva za korišćenje naći ćete na: www.citygate24.de

Uvozi i stavlja u promet: Lidl Srbija KD

Prva južna radna 3,
22330 Nova Pazova,
Republika Srbija
Tel. 0800-300-199,
E-mail: kontakt@lidl.rs

Kako izjaviti reklamaciju?

Molimo Vas:

- da pozovete korisnički servis:
0800-300-199
- pošaljete e-mail na: kontakt@lidl.rs
- posetite najbližu Lidl prodavnicu.

Da bismo osigurali najbržu asistenciju, molimo da sačuvate fiskalni račun i date ga na uvid prilikom izjavljivanja reklamacije.

Lidl i proizvođač nisu u mogućnosti da garantuju obezbeđivanje servisiranja i dostupnost rezervnih delova nakon isteka garantnog perioda/ perioda saobraznosti. Ukoliko za tim bude potrebe, putem naše Službe za potrošače možete proveriti dostupnost rezervnih delova i opcije za popravku. Hvala na razumevanju.

Davalac garancije- uvoznik: Lidl Srbija KD

Prva južna radna 3,
22330 Nova Pazova,
Republika Srbija
Tel. 0800-300-199,
E-mail: kontakt@lidl.rs

GARANCIJA I GARANTNI LIST

Poštovani,

Ovim putem Vas upoznajemo sa Vašim pravima i obavezama koje proističu iz Zakona o zaštiti potrošača, a u pogledu ostvarivanja prava iz garancije.

Ova garancija ni na koji način ne utiče, niti isključuje prava koja kupac ima u skladu sa važećim Zakonom o zaštiti potrošača po osnovu zakonske odgovornosti prodavca za nesaobraznost robe ugovoru koja traje 2 godine od dana kada je roba predata kupcu.

Davalac garancije ovom izjavom preuzima obavezu da kupcima svojih aparata, a pod uslovima definisanim u ovoj izjavi, obezbedi:

- besplatno otklanjanje kvarova u garantnom roku, koji bi nastali kod uobičajene upotrebe ili zbog grešaka u proizvodnji i materijalu, ili
- zamenu aparata, u garantnom roku predviđenim ovom garancijskom izjavom, u slučaju da opravka nije moguća, ili
- ako otklanjanje kvara nije moguće, kupac ima pravo da zahteva od prodavca povrat novca.

Ukupan rok garancije je *3 godine.

Garantni rok počinje da važi od datuma kupovine proizvoda, odnosno od prijema istog od strane kupca, a što se dokazuje fiskalnim računom.

Garancija važi na teritoriji Republike Srbije.

Kupac može da izjavi reklamaciju usmeno u nekom od prodajnih objekata Lidl Srbija KD, odnosno telefonom, pisanim putem ili elektronskim putem na kontakte kompanije Lidl Srbija KD, uz dostavu fiskalnog računa na uvid.

U cilju ispravnog funkcionisanja proizvod se koristi u skladu sa njegovom namenom i Uputstvom za upotrebu.

Na zahtev kupca, koji je izjavljen u garantnom roku, prodavac će izvršiti otklanjanje kvarova i nedostataka na proizvodu u roku predviđenom Zakonom.



Umbrelă de soare

● Introducere



Vă felicităm pentru achiziționarea noului dumneavoastră produs. Ați luat decizia de a cumpăra un produs de mare valoare. Vă rugăm să citiți cu atenție și în întregime acest manual de utilizare. Acest manual aparține produsului și conține indicații importante pentru punerea în funcțiune și manipularea acestuia. Vă rugăm să acordați atenție deosebită tuturor indicațiilor de siguranță. Dacă aveți întrebări sau nu sunteți sigur cu privire la manipularea produsului, vă rugăm să vă adresați distribuitorului dumneavoastră sau atelierului service din proximitatea dumneavoastră. Vă rugăm să păstrați cu grijă acest manual și să-l transmiteți terților dacă situația o impune.

● Explicarea simbolurilor



Citiți manualul de utilizare!



Data emiterii manualului de utilizare (lună/an)



Data producerii (lună/an)



Pericol de vătămare și de deces pentru copiii!



Respectați indicațiile de siguranță și avertismentele!



Factor de protecție împotriva razelor UV



Impermeabil



Cu protecție împotriva murdăriei



Asigurați-vă că este destul loc între produs și alte obstacole



Nu ajustați umbrela în mod forțat



Demontați produsul dacă este vânt puternic

 A nu se spăla!



Eliminați ambalajul și produsul într-un mod ecologic!



Ambalaj din mix de lemn certificat FSC

● Utilizarea conform destinației

Acest produs este prevăzut doar pentru utilizarea în gospodării private și nu este adecvat pentru scopuri comerciale. O altă utilizare decât cea descrisă anterior sau o modificare a produsului nu este permisă și poate duce la deteriorarea sa sau chiar la vătămări corporale. Producătorul sau distribuitorul nu își asumă responsabilitatea pentru daune care intervin ca urmare a utilizării necorespunzătoare sau greșite.

● Furnitură

1 x umbrelă de soare
1 x manual de utilizare

● Descrierea componentelor

- 1 Umbrelă de soare
- 2 Stâlp (superior)
- 3 Stâlp (inferior)
- 4 Buton
- 5 Orificiu
- 6 Mâner

● Date tehnice

Număr model: 1061-G
Material (spîțe): Oțel
Dimensiuni (înălțime x diametru) 235 x 260 cm

Diametru (stâlp inferior):	38 mm
Greutate (husă poliester):	180 g/m ²
Factor de protecție împotriva razelor UV:	50+
Greutate minimă a suportului pentru umbrelă (nu este cuprins în furnitură):	50 kg

● Indicații de siguranță



Indicații de siguranță



▲ AVERTISMENT!

PERICOL DE ACCIDENTARE ȘI DE DECES PENTRU COPII!

- Nu lăsați niciodată ambalajul la îndemâna copiilor nesupravegheați. Există pericol de sufocare din cauza materialelor de ambalare. Copiii subestimează adesea pericolele. Nu lăsați produsul niciodată la îndemâna copiilor.
- Acest produs poate fi utilizat de copii începând cu vârsta de 8 ani și de persoane cu abilități fizice, senzoriale sau mentale reduse sau fără experiență și fără cunoștințe necesare, dacă sunt supravegheați sau dacă au fost instruiți cu privire la utilizarea sigură a acestui aparat și dacă au înțeles pericolele ce pot rezulta cu privire la acesta. Copiilor le este interzis să se joace cu produsul. Curățarea și acțiunile de întreținere destinate utilizatorului nu se vor efectua de către copii nesupravegheați.
 - Nu permiteți copiilor să se apropie de zona de lucru pe durata montajului. Furnitura cuprinde un număr mare de șuruburi, precum și alte piese mici. Acestea pot fi înghițite sau inhalate, existând pericol de deces.
 - Produsul nu este o jucărie pentru copii!
 - Aveți grijă să nu rămână copii

- nesupravegheați în apropierea produsului.
- Încetați utilizarea produsului, dacă observați orice fel de defecțiune.
- Producătorul/distribuitoarea produsului nu își asumă responsabilitatea pentru vătămări sau daune care intervin ca urmare a montajului necorespunzător/a utilizării necorespunzătoare.
- Nu manipulați și nu modificați niciodată produsul. Nu sudați bare externe pe produs și nu atașați aparate electrice pe produs sau pe componentele individuale.



PERICOL DE VĂTĂMARE!

Manipularea necorespunzătoare a produsului, precum și montajul greșit pot duce la vătămări.

- Nu mai utilizați produsul dacă prinderile cu șuruburi s-au slăbit sau în cazul în care componentele din metal sau material plastic ale produsului prezintă deformări, fisuri sau alte deteriorări.
- Materialul plastic sau metalul reacționează la sarcini și influențele de temperatură prin dilatare și contractare. Verificați regulat toate prinderile cu șuruburi și eventual strângeți-le.
- Nu vă atârnați de produs și nu vă cățărați pe el.
- Produsul vă poate proteja pielea de razele UV directe, dar nu și de razele de soare reflectate. Folosiți protecție solară suplimentară.
- Aveți grijă la montaj și în cadrul utilizării produsului să nu vă striviți degetele.
- Aveți grijă la amplasarea produsului să aveți o suprafață plană și stabilă.
- Nu așezați produsul pe sol nisipos, lutos sau pământ nebătătorit.
- Nu lăsați produsul nesupravegheat în timpul utilizării.



PERICOL DE DETERIORARE!

Manipularea necorespunzătoare a produsului poate duce la deteriorări ale produsului.

- Pentru curățarea produsului nu utilizați aparate de curățare cu aburi.

- Nu mai utilizați produsul dacă părțile componente ale produsului prezintă fisuri sau deplasări sau dacă s-au deformat. Înlocuiți părțile componente deteriorate doar cu piese de schimb originale potrivite.
- Utilizați suporturi pentru umbrele adecvate pentru produs. Indicație: Respectați în acest sens datele de la producătorul suportului pentru umbrelă.
- Demontați produsul dacă începe vânt puternic sau furtună.
- Demontați produsul dacă plouă sau ninge pentru a-l proteja de o solicitare excesivă.
- Nu atârnați niciun obiect de produs.
- Utilizați produsul doar cu o contragreutate suficientă pentru menținerea în echilibru.
- Nu faceți niciodată foc deschis în apropierea sau sub produs. Țineți produsul departe de surse de căldură.

● Montaj

Indicație: Scoateți produsul din ambalaj și îndepărtați toate materialele de ambalare.

- Verificați integritatea furniturii.
- Verificați dacă produsul sau componentele individuale prezintă deteriorări. Dacă faceți o astfel de constatare nu folosiți produsul. Contactați distribuitorul prin intermediul adresei de service indicate.



PERICOL DE VĂTĂMARE!

Manipularea necorespunzătoare a produsului poate duce la deteriorări ale produsului.

- Nu montați produsul niciodată fără un suport pentru umbrelă corespunzător.
- Greutatea minimă a suportului pentru umbrelă trebuie să fie de 50 kg.
- Nu așezați produsul pe sol nisipos, lutos sau pământ nebătătorit.
- Așezați un suport pentru umbrelă adecvat (nu este cuprins în furnitură) în poziția dorită.
- Aveți grijă ca partea de jos a stâlpului (inferior) [3] să intre la o adâncime de cel

puțin 40 cm în suportul pentru umbrelă.

- Fixați stâlpul (inferior) [3] în suportul pentru umbrelă după cum este descris în instrucțiunile de utilizare ale producătorului suportului pentru umbrelă.
- Asigurați o poziție fixă.
- Fixați umbrela de soare [1] pe stâlpul (inferior) [3] (a se vedea fig. A). Introduceți stâlpul (superior) [2] pe stâlpul (inferior) [3] (a se vedea fig. A).
- Orientați aici orificiul [5] în funcție de buton [4] (a se vedea fig. A).



PERICOL DE STRIVIRE!

Aveți grijă să nu vă striviți mâinile.

- Pentru un montaj ușor apăsați butonul [4] în timp ce împingeți stâlpul (superior) [2] pe stâlpul (inferior) [3] (a se vedea fig. A).
- Asigurați-vă că butonul [4] se află în orificiul [5].
- Pentru demontare apăsați butonul [4] și ridicați stâlpul (superior) [2] până când legătura dintre cele două părți se desface.

● Deschiderea/închiderea umbrelei de soare

- Pentru deschiderea umbrelei de soare împingeți mânerul [6] în sus până când umbrela de soare este deschisă complet (a se vedea fig. A).
- Pentru deschiderea umbrelei de soare trageți mânerul [6] în jos până când umbrela de soare este închisă complet.

● Curățarea și depozitarea

- Nu utilizați agenți de curățare agresivi, perii metalice sau din nailon și nu utilizați obiecte de curățare ascuțite sau metalice, precum cuțite, șpacluri dure sau altele asemănătoare. Acestea pot deteriora suprafața.
- Husa nu este lavabilă.
- Pentru curățare nu folosiți decât o lavetă uscată, fără scame. În cazul murdăriei mai

rezistente umeziji ușor laveta.

- Toate componentele trebuie să fie uscate în totalitate înainte de punerea la păstrare
- Iarna depozitați produsul într-un loc răcoros, uscat. Evitați să depozitați produsul într-un spațiu încălzit.

● **Eliminarea**



Respectați marcajul ambalajelor la separarea deșeurilor. Acestea sunt notate cu prescurtări (a) și numere (b) având următoarele semnificații:

1-7: Plastice

20-22: Hârtie și carton

80-98: Materiale compozite



Vă puteți adresa administrației locale pentru a afla posibilitățile de eliminare a produsului.

În scopul protejării mediului înconjurător, nu aruncați produsul dumneavoastră la deșeurile menajere, după ce acesta și-a încheiat durata de viață, ci eliminați-l în mod corespunzător. Vă puteți adresa administrației localității dumneavoastră pentru a vă informa cu privire la locurile de colectare și orele acestora de deschidere.

● **Garanția**

Stimate client, dispuneți de o garanție de 3 ani din momentul cumpărării acestui produs. În cazurile în care produsul vă este livrat cu defecțiuni, aveți drepturi legale față de vânzătorul produsului. Aceste drepturi legale nu sunt limitate de garanția prezentată mai jos.

Condiții de acordare a garanției

Perioada de garanție începe de la data cumpărării produsului. Vă rugăm să păstrați cu grijă bonul fiscal. Acest document servește ca dovadă de cumpărare. Dacă în decursul a trei ani de la data cumpărării apar defecțiuni de fabricare sau materiale,

produsul va fi reparat, înlocuit sau vi se va rambursa prețul acestuia. Acordarea garanției presupune prezentarea aparatului defect și a dovezii cumpărării (bonului fiscal) în termen de trei ani și descrierea pe scurt în scris a defecțiunii și a momentului apariției acestuia. Dacă defectul are acoperire în cadrul garanției, veți primi înapoi produsul reparat sau un altul nou. Repararea sau înlocuirea produsului nu reprezintă începerea unei noi perioade de garanție.

Perioada de garanție și solicitări legale privind defectele

Perioada de garanție nu se prelungește o dată cu acordarea acesteia. Acest lucru este valabil și pentru piese înlocuite sau reparate. Deteriorările sau defectele existente deja la cumpărare trebuie raportate imediat după dezambalare. Reparațiile necesare după expirarea perioadei de garanție se efectuează contra cost.

Volumul garanției

Aparatul a fost realizat cu grijă și în conformitate cu regulamente stricte privind calitatea și a fost minuțios verificat înainte de livrare. Serviciile acordate în baza garanției se aplică defecțiunilor de fabricare sau materiale. Această garanție nu acoperă piese ale produsului care sunt supuse unei uzuri normale și, prin urmare, pot fi considerate consumabile. De asemenea, garanția nu acoperă nici deteriorarea pieselor fragile, cum ar fi întrerupătoarele, acumulatorii sau cele realizate din sticlă. Această garanție devine nulă în cazurile în care produsul se defectează ca urmare a unei utilizări sau întrețineri necorespunzătoare. Pentru o utilizare corespunzătoare a produsului trebuie respectate cu strictețe toate indicațiile prezente în manualul de utilizare. Alte scopuri de utilizare și acțiuni nerecomandate sau asupra cărora se avertizează în manualul de utilizare trebuie evitate în mod

obligatoriu. Produsul este prevăzut pentru uzul privat și nu pentru cel comercial. Garanția devine nulă în cazul manipulării abuzive și necorespunzătoare, aplicării forței și intervențiilor care nu au fost efectuate de către filiala noastră de service autorizată.

Derularea garanției

Pentru a asigura prelucrarea rapidă a cererii dumneavoastră, vă rugăm să respectați următoarele **Indicații**:

Vă rugăm să păstrați bonul fiscal și numărul articolului (ex. IAN 123456) ca dovadă a cumpărării în cazul solicitărilor ulterioare. Numărul articolului se găsește pe plăcuța tip a produsului, gravura produsului, coperta interioară a manualului (stânga jos) sau pe eticheta de pe partea posterioară sau inferioară a produsului.

În cazul unor defecțiuni funcționale sau altor defecțiuni contactați telefonic sau prin e-mail departamentul de service menționat în cele ce urmează.

Puteți trimite produsul considerat defect cu anexarea dovezii cumpărării (bonul fiscal) și mențiunea în scris atât a defectului, cât și a momentului în care a apărut, cu scutire de taxe poștale, la adresa de service indicată.

(3) Timpul de nefuncționare din cauza lipsei de conformitate apărute în cadrul termenului de garanție prelungește termenul de garanție legală de conformitate și cel al garanției comerciale și curge, după caz, din momentul la care a fost adusă la cunoștința vânzătorului lipsa de conformitate a produsului sau din momentul prezentării produsului la vânzător/unitatea de service până la aducerea produsului în stare de utilizare normală și, respectiv, al notificării în scris în vederea ridicării produsului sau predării efective a produsului către consumator.

(4) Produsele de folosință îndelungată care înlocuiesc produsele defecte în cadrul termenului de garanție vor beneficia de un nou termen de garanție care curge de la data preschimbării produsului.

● Service



Service România

Tel.: 00800 80040044

E-mail: administration@mynetsend.de

IAN 400303_2107

Vă rugăm să păstrați bonul de casă și numărul articolului (ex. IAN 123456) ca dovadă a achiziției în cazul în care veți avea întrebări ulterioare.

Găsiți o versiune actuală a manualului de utilizare pe: www.citygate24.de

Градински чадър

● Въведение



Поздравяваме Ви за покупката на този нов продукт. Вие избирате един висококачествен продукт. Моля, прочетете напълно и внимателно това ръководство за експлоатация. Това ръководство се отнася за този продукт и съдържа важни указания за въвеждане в експлоатация и работа. Винаги спазвайте указанията за безопасност. Ако имате въпроси или не сте сигурни при работата с продукта, се свържете с Вашия търговец или сервизния център. Пазете това ръководство старателно и го предайте на трети лица, ако е необходимо.

● Обяснение на знаците



Прочетете ръководството за експлоатация!



Издание на ръководството за експлоатация (месец/година)



Дата на производство (месец/година)



Опасност за живота и опасност от злополуки за малки и по-големи деца!



Спазвайте предупредителните указания и тези за безопасност!



Фактор на УВ защита



Водонепромокаем



Устойчив на замърсяване



Осигурете достатъчно разстояние между продукта и предмети около него



Не прилагайте сила



Демонтирайте продукта при наличието на вятър



Да не се мие!



Изхвърлете отпадъците от опаковката и продукта по екологосъобразен начин!



Опаковка от смесена дървесина, сертифицирана по FSC

● Употреба по предназначение

Този продукт е предназначен само за употреба в частни домакинства и не е подходящ за търговски цели. Всяко друга употреба, освен описаната по-горе, или промяна на продукта не е разрешена и може да доведе до материални щети или дори до телесни увреждания. Производителят или търговецът не поема отговорност за щети, причинени от неправилна или погрешна употреба.

● Обхват на доставката

- 1 x градински чадър
- 1 x ръководство за експлоатация

● Описание на частите

- 1 Градински чадър
- 2 Тръба стояща (горна част)
- 3 Тръба стояща (долна част)
- 4 Бутон
- 5 Отвор
- 6 Дръжка

● Технически данни

Номер на модела: 1061-G
Материал (спици): стомана

Размери (височина x диаметър):	235 x 260 cm
Диаметър (долна част на тръбата):	38 mm
Тегло (полиестерно покривало):	180 g/m ²
Фактор на УВ защита:	50+
Мин. тегло на стойката за чадъра (не е включена в доставката):	50 kg

● Указания за безопасност



Указания за безопасност



▲ ПРЕДУПРЕЖДЕНИЕ!

ОПАСНОСТ ЗА ЖИВОТА И ОПАСНОСТ ОТ ЗЛОПОЛУКИ ЗА МАЛКИ И ПО-ГОЛЕМИ ДЕЦА!

Никога не оставяйте деца да играят без надзор с материалите от опаковката. Има опасност от задушаване чрез опаковъчния материал.

Децата често подценяват опасностите. Винаги дръжте децата далеч от продукта.

- Този продукт може да се използва от деца над 8 и повече години, както и от лица с намалени физически, сетивни или умствени способности или с липса на опит и знания, ако са били наблюдавани или инструктирани за безопасна употреба на продукта и разбират произтичащите опасности. Деца не трябва да играят с продукта. Почистването и поддръжката не трябва да се извършват от деца без надзор.
- Дръжте децата далеч от работната зона по време на монтаж. Обхватът на доставката включва различни винтове, както и други малки части. Те могат да бъдат животозастрашаващи при поглъщане или вдишване.
- Продуктът не е детска играчка!

- Подсигурете, че деца не остават без надзор около продукта.
- Не използвайте продукта, ако забележите някакви повреди.
- Производителят/дистрибуторът на този продукт не носи отговорност за наранявания или повреди в резултат на неправилен монтаж/неправилна употреба.
- Никога не манипулирайте и не променяйте продукта. Забранено е заваряването на допълнителни тръби към продукта и прикачането на електрически устройства към продукта и неговите компоненти.



ОПАСНОСТ ОТ НАРАНЯВАНЕ!

Неправилното боравене с продукта и неправилното

монтиране могат да доведат до наранявания.

- Незабавно прекратете употребата на продукта, ако някоя от винтовите връзки е разхлабена или металните или пластмасови части на продукта, ако са огнати, напукани или повредени по някакъв друг начин.
- Пластмасата и металът реагират на влиянието на натоварване или температура, като се разширяват или свиват. Проверявайте редовно винтовите връзки и ги затягайте при необходимост.
- Не увисвайте от продукта и не се набирайте на него.
- Продуктът може да защити Вашата кожа от директното УВ лъчение, но не и от лъчите, които се отразяват. Използвайте допълнителна слънцезащита.
- При сглобяването и употребата на продукта, внимавайте да не си притиснете пръстите.
- Когато поставяте продукта, уверете се че той е на равна и стабилна повърхност.
- Не поставяйте продукта върху пясъчлива или глинеста почва или върху разровена земя.
- Не оставяйте продукта без надзор по

време на експлоатация.



ОПАСНОСТ ОТ ПОВРЕДА!

Неправилното боравене с продукта може да го повреди.

- Не използвайте пароструйка за почистването.
- Незабавно прекратете употребата на продукта, ако някоя от частите е напукана, огъната или деформирана. Подменяйте повредените части само с подходящи оригинални резервни части.
- Използвайте стойка за чадър, която е подходяща за продукта.
Указание: Моля, следвайте информацията предоставена от производителя на стойката за чадър.
- Демонтирайте продукта при наличието на вятър или гръмотевична буря.
- Демонтирайте продукта при наличието на дъжд или сняг, за да избегнете неговото износване.
- Не закачайте предмети по продукта.
- Използвайте продукта само с подходящ баласт.
- Забранено е паленето на огън около или под продукта. Пазете продукта далеч от топлинни източници.

● **Монтаж**

Указание: Извадете продукта от опаковката и отстранете всички опаковъчни материали.

- Проверете дали доставката е в пълния си обем.
- Проверете за щети по продукта или отделните части. Ако случаят е такъв, не използвайте продукта. Свържете се с дистрибутора чрез посочения сервизен адрес.



ОПАСНОСТ ОТ НАРАНЯВАНЕ!

Неправилното боравене с продукта може да го повреди.

- Никога не монтирайте продукта без подходяща стойка за чадър.

- Минималното тегло на стойката за чадъра трябва да е 50 kg.
- Не поставяйте продукта върху пясъчлива или глинеста почва или върху разровена земя.
- Поставете подходящата стойка за чадър (не е включена в доставката) в желаната позиция.
- Уверете се, че долният край на тръбата (долна част) [3] е пъхнат най-малко 40 cm в стойката за чадър.
- Фиксирайте тръбата (долна част) [3] в стойката на чадъра според описанието в ръководството за експлоатация на производителя на чадъра.
- Уверете се, че е в неподвижно положение.
- Затегнете чадъра [1] към тръбата (долен край) [3] (виж. фиг. А). Прокарайте горната част на тръбата [2] през долната част на тръбата [3] (виж. фиг. А).
- За да направите това, подравнете отвора [5] с бутона [4] (виж. фиг. А).



ОПАСНОСТ ОТ ПРИТИСКАНЕ!

Внимавайте да не притиснете ръцете си.

- За по-лесно монтиране, натиснете бутона [4] докато прокарате горната част на тръбата [2] през долната част на тръбата [3] (виж. фиг. А).
- Уверете се, че бутонът [4] е в отвора [5].
- При демонтиране, натиснете бутона [4] и извадете горната част на тръбата [2] докато се разкачи от долната.

● **Отваряне/затваряне на градинския чадър**

- За да отворите градинския чадър, завъртете дръжката [6] нагоре, докато градинският чадър се разтвори напълно (виж. фиг. В).
- За да затворите градинския чадър, завъртете дръжката [6] надолу, докато градинският чадър се прибере напълно.

● Почистване и съхранение

- Не използвайте агресивни почистващи препарати, четки с метален или найлонов косъм, както и остри или метални предмети за почистване като ножове, твърди шпатули и други подобни. Те могат да повредят повърхностите.
- Покривалото не може да се пере.
- За почистване използвайте само суха кърпа без власинки. При силно замърсяване, навлажнете леко кърпата.
- Всички части трябва да изсъхнат напълно преди да се приберат за съхранение
- Съхранявайте продукта на хладно и сухо място през зимата. Избягвайте съхранението на продукта в затоплени помещения.

● Събиране на отпадъците



Спазвайте обозначението на опаковъчните материали по време на разделното събиране на отпадъците, като те са обозначени със съкращения (a) и числа (b) със следното значение:

1–7: Пластмаси

20–22: Хартия и картон

80–98: Композитни материали



Можете да се свържете с Вашата общинска или градска администрация за опциите за събиране на отпадъци.

В интерес на опазването на околната среда не събирайте отпадъците от продукта си като битов отпадък, ако е минало времето му на експлоатация, а вместо това го съберете по компетентен начин. Относно местата за събиране и работното им време можете да се консултирате с местната администрация.

● Гаранция

Уважаеми клиенти, за този уред получавате 3 години гаранция от датата на покупката. В случай на несъответствие на продукта с договора за продажба Вие имате законно право да предявите рекламация пред продавача на продукта при условията и в сроковете, определени в чл.112-115* от Закона за защита на потребителите. Вашите права, произтичащи от посочените разпоредби, не се ограничават от нашата по-долу представена търговска гаранция и независимо от нея продавачът на продукта отговаря за липсата на съответствие на потребителската стока с договора за продажба съгласно Закона за защита на потребителите.

Гаранционни условия

Гаранционният срок започва да тече от датата на покупката. Пазете добре оригиналната касова бележка. Този документ е необходим като доказателство за покупката. Ако в рамките на три години от датата на закупуване на този продукт се появи дефект на материала или производствен дефект, продуктът ще бъде безплатно ремонтиран или заменен – по наш избор. Гаранцията предполага в рамките на тригодишния гаранционен срок да се представят дефектният уред и касовата бележка (касовият бон) и писмено да се обясни в какво се състои дефектът и кога е възникнал. Ако дефектът е покрит от нашата гаранция, Вие ще получите обратно ремонтирания или нов продукт. С ремонта или смяната на продукта не започва да тече нов гаранционен срок.

Гаранционен срок и законови претенции при дефекти

Гаранционната услуга не удължава гаранционния срок. Това важи също и за

сме-нените и ремонтирани части. За евентуално наличните повреди и дефекти още при покупката трябва да се съобщи веднага след разопаковането. Евентуалните ремонти след изтичане на гаранционния срок са срещу заплащане.

Обхват на гаранцията

Уредът е произведен грижливо според строгите изисквания за качество и добросъвестно изпитан преди доставка. Гаранцията важи за дефекти на материала или производствени дефекти. Гаранцията не обхваща частите на продукта, които подлежат на нормално износване, поради което могат да бъдат разглеждани като бързо износващи се части (например филтри или приставки) или повредите на чупливи части (например прекъсвачи, батерии или такива произведени от стъкло). Гаранцията отпада, ако уредът е повреден поради неправилно използване или в резултат на неосъществяване на техническа поддръжка. За правилната употреба на продукта трябва точно да се спазват всички указания в упътването за обслужване. Предназначение и действия, които не се препоръчват от упътването за експлоатация или за които то предупреждава, трябва задължително да се избягват. Продуктът е предназначен само за частна, а не за стопанска употреба. При злоупотреба и неправилно третиране, употреба на сила и при интервенции, които не са извършени от клона на нашия оторизиран сервиз, гаранцията отпада.

Процедура при гаранционен случай

За да се гарантира бърза обработка на Вашия случай, следвайте следните указания:

- За всички запитвания подгответе касовата бележка и идентификационния номер (IAN 000000) като доказателство за покупката.

- Вземете артикулния номер от фабричната табелка.
- При възникване на функционални или други дефекти първо се свържете по телефона или чрез имейл с долупосочения сервизен отдел. След това ще получите допълнителна информация за уреждането на Вашата reklamация.
- След съгласуване с нашия сервиз можете да изпратите дефектния продукт на посочения Ви адрес на сервиза безплатно за Вас, като приложите касовата бележка (касовия бон) и посочите в какво се състои дефектът и кога е възникнал. За да се избегнат проблеми с приемането и допълнителни разходи, задължително използвайте само адреса, който Ви е посочен. Осигурете изпращането да не е като експресен товар или като друг специален товар. Изпратете уреда заедно с всички принадлежности, доставени при покупката, и осигурете достатъчно сигурна транспортна опаковка.

Ремонтен сервиз / извънгаранционно обслужване

Ремонти извън гаранцията можете да възложите на клона на нашия сервиз срещу заплащане. Той с удоволствие ще Ви направи предварителна калкулация. Можем да обработваме само уреди, които са достатъчно опаковани и изпратени с платени транспортни разходи.

Внимание: Изпратете Вашия уред на клона на нашия сервиз почистен и с указание за дефекта.

Уредите, изпратени с неплатени транспортни разходи – с наложен платеж, като експресен или друг специален товар – не се приемат.

Ние ще извършим безплатно изхвърлянето на изпратените от Вас дефектни уреди.

● Сервизно обслужване

BG

България

Тел.: 00800 80040044

Е-мейл: administration@mynetsend.de

IAN 400303_2107

Вносител

Моля, обърнете внимание, че следващият адрес не е адрес на сервиза. Първо се свържете с горепосочения сервизен център.

citygate24 GmbH

Lange Mühren 1

20095 Hamburg

GERМАНИЯ

* Чл. 112. (1) При несъответствие на потребителската стока с договора за продажба потребителят има право да предяви рекламация, като поиска от продавача да приведе стоката в съответствие с договора за продажба. В този случай потребителят може да избира между извършване на ремонт на стоката или замяната ѝ с нова, освен ако това е невъзможно или избраният от него начин за обезщетение е непропорционален в сравнение с другия.

(2) Смята се, че даден начин за обезщетяване на потребителя е непропорционален, ако неговото използване налага разходи на продавача, които в сравнение с другия начин на обезщетяване са неразумни, като се вземат предвид:

1. стойността на потребителската стока, ако нямаше липса на несъответствие;
2. значимостта на несъответствието;
3. възможността да се предложи на потребителя друг начин на обезщетяване, който не е свързан със значителни неудобства за него.

Чл. 113. (1) Когато потребителската стока

не съответства на договора за продажба, продавачът е

длъжен да я приведе в съответствие с договора за продажба.

(2) Привеждането на потребителската стока в съответствие с договора за продажба трябва да се извърши в рамките на един месец, считано от предявяването на рекламацията от потребителя.

(3) След изтичането на срока по ал. 2 потребителят има право да развали договора и да му бъде възстановена заплатената сума или да иска намаляване на цената на потребителската стока съгласно чл. 114 .

(4) Привеждането на потребителската стока в съответствие с договора за продажба е безплатно за потребителя. Той не дължи разходи за експедиране на потребителската стока или за материали и труд, свързани с ремонта ѝ, и не трябва да понася значителни неудобства.

(5) Потребителят може да иска и обезщетение за претърпените вследствие на несъответствието вреди. Чл. 114. (1) При несъответствие на потребителската стока с договора за продажба и когато потребителят не е удовлетворен от решаването на рекламацията по чл. 113 , той има право на избор между една от следните възможности: 1. разваляне на договора и възстановяване на заплатената от него сума; 2. намаляване на цената.

(2) Потребителят не може да претендира за възстановяване на заплатената сума или за намаляване на цената на стоката, когато търговецът се съгласи да бъде извършена замяна на потребителската стока с нова или да се поправи стоката в рамките на един месец от предявяване на рекламацията от потребителя.

(3) Търговецът е длъжен да удовлетвори искане за разваляне на договора и да възстанови запла-

тената от потребителя сума, когато след

като е удовлетворил три рекламации на потребителя чрез извършване на ремонт на една и съща стока, в рамките на срока на гаранцията по чл. 115, е налице следваща поява на несъответствие на стоката с договора за продажба. (4) (Предишна ал. 3 - ДВ, бр. 61 от 2014 г., в сила от 25.07.2014 г.) Потребителят не може да претендира за разваляне на договора, ако несъответствието на потребителската стока с договора е незначително. Чл. 115. (1) Потребителят може да упражни правото си по този раздел в срок до две години, считано от доставянето на потребителската стока.

(2) Срокът по ал. 1 спира да тече през времето, необходимо за поправката или замяната на потребителската стока или за постигане на споразумение между продавача и потребителя за решаване на спора.

(3) Упражняването на правото на потребителя по ал. 1 не е обвързано с никакъв друг срок за предявяване на иск, различен от срока по ал. 1.

Актуална версия на ръководство за експлоатация ще намерите на:
www.citygate24.de

Оμπρέла ηλίου

● Εισαγωγή



Σας συγχαίρουμε για την αγορά του νέου σας προϊόντος. Αποφασίσατε να αγοράσετε ένα προϊόν ύψιστης ποιότητας. Διαβάστε αυτές τις οδηγίες χρήσης πλήρως και προσεκτικά. Οι παρούσες οδηγίες ανήκουν στο προϊόν και εμπεριέχουν σημαντικές υποδείξεις για τη θέση σε λειτουργία και τον χειρισμό. Τηρείτε πάντα όλες τις υποδείξεις ασφαλείας. Εάν έχετε ερωτήσεις ή δεν είστε σίγουροι για τον τρόπο χρήσης του προϊόντος, επικοινωνήστε με τον πωλητή σας ή με το σέρβις. Φυλάξτε αυτές τις οδηγίες επιμελώς και διαβιβάστε τις αν χρειαστεί και σε τρίτους.

● Επεξήγηση συμβόλων



Διαβάστε τις οδηγίες χρήσης!



Ημερομηνία έκδοσης του εγχειριδίου χειρισμού (μήνας/έτος)



Ημερομηνία κατασκευής (μήνας/έτος)



Κίνδυνος ζωής και ατυχήματος για βρέφη και μικρά παιδιά!



Τηρείτε τις υποδείξεις κινδύνου και ασφαλείας!



Δείκτης προστασίας UV



Υδατοαπωθητική



Ανθεκτική σε λεκέδες



Εξασφαλίστε επαρκή απόσταση μεταξύ προϊόντος και εμποδίων



Μην ασκείτε υπερβολική δύναμη κατά τη ρύθμιση



Αποσυναρμολογήστε το προϊόν σε περίπτωση ανέμου

⊗ ⊗ ⊗ ⊗ Δεν επιτρέπεται το πλύσιμο!



Απορρίψτε τη συσκευασία και το προϊόν με τρόπο φιλικό προς το περιβάλλον!



Συσκευασία από ανάμεικτο ξύλο με πιστοποίηση FSC

● Προβλεπόμενη χρήση

Το προϊόν αυτό προορίζεται μόνο για χρήση σε ιδιωτικά νοικοκυριά και δεν ενδείκνυται για εμπορικούς σκοπούς.

Διαφορετική χρήση από αυτήν που προαναφέρεται ή οποιαδήποτε τροποποίηση του προϊόντος δεν επιτρέπεται και μπορεί να οδηγήσει σε υλικές ζημιές ή ακόμη και σε σωματικές βλάβες. Ο κατασκευαστής ή ο έμπορος δεν αναλαμβάνει καμία ευθύνη για ζημιές, οι οποίες οφείλονται στη μη προβλεπόμενη ή λανθασμένη χρήση.

● Περιεχόμενο συσκευασίας

1 x ομπρέλα ηλίου
1 x οδηγίες χρήσης

● Περιγραφή εξαρτημάτων

- 1 Ομπρέλα ηλίου
- 2 Κατακόρυφος σωλήνας (επάνω)
- 3 Κατακόρυφος σωλήνας (κάτω)
- 4 Κουμπί πίεσης
- 5 Οπή
- 6 Λαβή

● Τεχνικά στοιχεία

Αριθμός μοντέλου: 1061-G
Υλικό (ακτίνες): Χάλυβας
Διαστάσεις (Υ x Ø): 235 x 260 cm

Διάμετρος (κάτω κατακόρυφος σωλήνας): 38 mm

Βάρος (πολυεστερικό κάλυμμα): 180 g/m²

Δείκτης προστασίας UV: 50+

Ελάχιστο βάρος της βάσης ομπρέλας (δεν περιλαμβάνεται στο περιεχόμενο συσκευασίας): 50 kg

● Υποδείξεις ασφαλείας



Υποδείξεις ασφαλείας



⚠ ΠΡΟΕΙΔΟΠΟΙΗΣΗ!

ΚΙΝΔΥΝΟΣ ΘΑΝΑΤΟΥ ΚΑΙ ΑΤΥΧΗΜΑΤΟΣ ΓΙΑ ΒΡΕΦΗ ΚΑΙ ΠΑΙΔΙΑ!

Μην αφήνετε ποτέ τα παιδιά μόνα τους με τα υλικά συσκευασίας. Υφίσταται κίνδυνος ασφυξίας μέσω των υλικών συσκευασίας. Τα παιδιά συχνά υποτιμούν τους κινδύνους. Κρατάτε πάντα τα παιδιά μακριά από το προϊόν.

- Το προϊόν αυτό μπορεί να χρησιμοποιηθεί από παιδιά ηλικίας άνω των 8 ετών και από άτομα με μειωμένες σωματικές, αισθητήριες ή πνευματικές ικανότητες ή με έλλειψη εμπειρίας και γνώσης, εφόσον βρίσκονται υπό επίβλεψη κατά τη χρήση του προϊόντος ή έχουν ενημερωθεί σχετικά με την ασφαλή χρήση του και τους σχετικούς κινδύνους. Τα παιδιά δεν επιτρέπεται να παίζουν με το προϊόν. Ο καθαρισμός και η συντήρηση εκ μέρους του χρήστη δεν επιτρέπεται να διεξάγεται από παιδιά δίχως επίβλεψη.
- Κρατάτε τα παιδιά κατά τη συναρμολόγηση μακριά από τον τόπο εργασίας. Στο περιεχόμενο παράδοσης συμπεριλαμβάνεται μεγάλο αριθμό βιδών και άλλων μικρών εξαρτημάτων. Αυτά μπορεί να προβούν επικίνδυνα για τη ζωή σε

περίπτωση αναπνοής ή κατάποσής τους.

- • Το προϊόν δεν είναι παιχνίδι!
- • Βεβαιωθείτε ότι δεν βρίσκονται παιδιά χωρίς επίβλεψη κοντά στο προϊόν.
- • Μη χρησιμοποιείτε το προϊόν, εάν διαπιστώσετε οποιαδήποτε βλάβη.
- • Ο κατασκευαστής/διανομέας του παρόντος προϊόντος δεν αναλαμβάνει καμία ευθύνη για τραυματισμούς ή ζημιές που προκύπτουν από εσφαλμένη συναρμολόγηση/λανθασμένη χρήση.
- • Ποτέ μην παραποιείτε ή τροποποιείτε το προϊόν. Μη συγκολλάτε εξωτερικές ράβδους στο προϊόν και μη συνδέετε ηλεκτρικές συσκευές στο προϊόν και τα εξαρτήματά του.



ΚΙΝΔΥΝΟΣ ΤΡΑΥΜΑΤΙΣΜΟΥ!

Ο ακατάλληλος χειρισμός του προϊόντος και η λανθασμένη συναρμολόγησή του μπορεί να οδηγήσουν σε τραυματισμούς.

- Μη χρησιμοποιείτε το προϊόν, εάν οι βιδωτές συνδέσεις έχουν χαλαρώσει ή αν τα μεταλλικά ή πλαστικά μέρη του προϊόντος είναι παραμορφωμένα, ραγισμένα ή έχουν υποστεί άλλη ζημιά.
- Τα πλαστικά και τα μέταλλα αντιδρούν στις καταπονήσεις και τις επιδράσεις της θερμοκρασίας, διαστέλλοντας και συστέλλοντας. Ελέγχετε τακτικά όλες τις βιδωτές συνδέσεις και σφίξτε τις, εάν είναι απαραίτητο.
- Μην κρεμίζετε και μην ανασηκώνετε από το προϊόν.
- Το προϊόν μπορεί να προστατεύσει το δέρμα σας από την άμεση υπεριώδη ακτινοβολία, αλλά όχι από τις ανακλαστικές ακτίνες του ήλιου. Χρησιμοποιείτε πρόσθετη αντηλιακή προστασία.
- Προσέξτε να μη συνθλίψετε τα δάχτυλά σας κατά τη συναρμολόγηση και τη χρήση του προϊόντος.
- Κατά την εγκατάσταση του προϊόντος, βεβαιωθείτε ότι βρίσκεται σε επίπεδο και σταθερή επιφάνεια.
- Μην εγκαθιστάτε το προϊόν σε αμμώδες,

αργιλώδες έδαφος ή σε χαλαρό χώμα.

- Μην αφήνετε το προϊόν χωρίς επίβλεψη κατά τη διάρκεια της χρήσης.



ΚΙΝΔΥΝΟΣ ΠΡΟΚΛΗΣΗΣ

ΖΗΜΙΩΝ! Ο ακατάλληλος

χειρισμός του προϊόντος μπορεί να προκαλέσει ζημιά στο προϊόν.

- Μη χρησιμοποιείτε ατμοκαθαριστή για τον καθαρισμό.
- Μη χρησιμοποιείτε το προϊόν, εάν τα εξαρτήματα του προϊόντος παρουσιάζουν ρωγμές ή σχισμές ή έχουν παραμορφωθεί. Αντικαταστήστε τα εξαρτήματα που έχουν υποστεί βλάβη μόνο με τα κατάλληλα γνήσια ανταλλακτικά.
- Χρησιμοποιήστε μια βάση ομπρέλας κατάλληλη για το προϊόν.
- **Υπόδειξη:** Ακολουθείτε τις οδηγίες του κατασκευαστή της βάσης ομπρέλας.
- Αποσυναρμολογήστε το προϊόν σε περίπτωση ανέμου ή καταιγίδας.
- Αποσυναρμολογήστε το προϊόν σε περίπτωση βροχής ή χιονιού, για να το προστατέψετε από υπερβολική καταπόνηση.
- Μην κρεμάτε αντικείμενα πάνω στο προϊόν.
- Χρησιμοποιείτε το προϊόν μόνο με επαρκές αντίβαρο.
- Ποτέ μην ανάβετε ανοιχτή φωτιά κοντά ή κάτω από το προϊόν. Διατηρείτε το προϊόν μακριά από πηγές θερμότητας.

● Εγκατάσταση

Указание: Извадете продукта от опаковката и отстранете всички опаковъчни материали.

- Проверете дали доставката е в пълния си обем.
- Проверете за щети по продукта или отделните части. Ако случат е такъв, не използвайте продукта. Επικοινωνήστε με τον διανομέα μέσω της διεύθυνσης εξυπηρέτησης που αναφέρεται.



ΚΙΝΔΥΝΟΣ ΤΡΑΥΜΑΤΙΣΜΟΥ!

Ο ακατάλληλος χειρισμός του προϊόντος μπορεί να προκαλέσει

ζημιά στο προϊόν.

- Ποτέ μην εγκαθιστάτε το προϊόν χωρίς κατάλληλη βάση ομπρέλας.
- Το ελάχιστο βάρος για τη βάση ομπρέλας πρέπει να είναι 50 kg.
- Μην εγκαθιστάτε το προϊόν σε αμμώδες, αργιλώδες έδαφος ή σε χαλαρό χώμα.
- Τοποθετήστε μια κατάλληλη βάση ομπρέλας (δεν περιλαμβάνεται στο περιεχόμενο παράδοσης) στην επιθυμητή θέση.
- Βεβαιωθείτε ότι το κάτω άκρο του κατακόρυφου σωλήνα (κάτω) [3] εισέρχεται σε βάθος τουλάχιστον 40 cm μέσα στη βάση ομπρέλας.
- Στερεώστε τον κατακόρυφο σωλήνα (κάτω) [3] στη βάση ομπρέλας, όπως περιγράφεται στις οδηγίες χρήσης του κατασκευαστή της βάσης ομπρέλας.
- Βεβαιωθείτε για τη σταθερή έδραση.
- Προσαρτήστε την ομπρέλα ηλίου [1] στον κατακόρυφο σωλήνα (κάτω) [3] (βλ. εικ. Α). Στερεώστε τον κατακόρυφο σωλήνα (επάνω) [2] στον κατακόρυφο σωλήνα (κάτω) [3] (βλ. εικ. Α).
- Για να το κάνετε αυτό, ευθυγραμμίστε την οπή [5] με το κουμπί πίεσης [4] (βλ. εικ. Α).



ΚΙΝΔΥΝΟΣ ΣΥΝΘΛΙΨΗΣ!

Προσέξτε να μην πιαστούν τα χέρια σας.

- Για εύκολη συναρμολόγηση, πιέστε το κουμπί πίεσης [4], ενώ σπρώχνετε τον κατακόρυφο σωλήνα (επάνω) [2] μέσα στον κατακόρυφο σωλήνα (κάτω) [3] (βλ. εικ. Α).
- Βεβαιωθείτε ότι το κουμπί πίεσης [4] βρίσκεται μέσα στην οπή [5].
- Για εύκολη αποσυναρμολόγηση, πατήστε το κουμπί πίεσης [4] και τραβήξτε τον κατακόρυφο σωλήνα (επάνω) [2], μέχρι να λυθεί η σύνδεση.

● **Άνοιγμα/κλείσιμο ομπρέλας ηλίου**

- Για να ανοίξετε την ομπρέλα, σπρώξτε τη λαβή [6] προς τα πάνω, μέχρι να ανοίξει εντελώς η ομπρέλα (βλ. εικ. Β).
- Για να κλείσετε την ομπρέλα, τραβήξτε τη λαβή [6] προς τα κάτω, μέχρι να κλείσει εντελώς η ομπρέλα.

● **Καθαρισμός και αποθήκευση**

- Μη χρησιμοποιείτε λειαντικά καθαριστικά, βούρτσες με μεταλλικές τρίχες ή τρίχες νάilon καθώς και αιχμηρά ή μεταλλικά αντικείμενα καθαρισμού όπως μαχαίρια, σκληρές σπάτουλες και παρόμοια. Μπορεί να προκαλέσουν ζημιά στις επιφάνειες.
- Το κάλυμμα δεν πλένεται.
- Για τον καθαρισμό, χρησιμοποιείτε ένα στεγνό πανί χωρίς χνούδια. Σε περίπτωση έντονης ακαθαρσίας, βρέξτε ελαφρώς το πανί.
- Όλα τα μέρη πρέπει να είναι τελείως στεγνά πριν από την αποθήκευση.
- Αποθηκεύετε το προϊόν σε δροσερό και στεγνό μέρος κατά τη διάρκεια του χειμώνα. Αποφύγετε την αποθήκευση του προϊόντος σε θερμαινόμενο χώρο.

● **Απόρριψη**



Δώστε προσοχή στην επισήμανση των υλικών συσκευασίας κατά τη διαλογή των απορριμμάτων, τα οποία φέρουν τις συντομογραφίες (a) και τους αριθμούς (b) με την εξής σημασία:

1–7: Πλαστικά
 20–22: Χαρτί και χαρτόνι
 80–98: Συνθετικά υλικά



Για τις δυνατότητες απόρριψης του άχρηστου πλέον προϊόντος, μπορείτε να ενημερωθείτε από την κοινοτική ή δημοτική αρχή.

Για λόγους προστασίας του περιβάλλοντος, μην πετάξετε το πλέον άχρηστο προϊόν στα οικιακά απορρίμματα, αλλά φροντίστε για την κατάλληλη απόρριψή του. Για τα κατάλληλα σημεία συλλογής και τις ώρες λειτουργίας τους, μπορείτε να ενημερωθείτε από την αρμόδια αρχή της περιοχής σας.

● **Εγγύηση**

Αξιότιμη πελάτισσα, αξιότιμε πελάτη, για τη συσκευή αυτή σας παρέχεται 3 χρόνια εγγύηση από την ημερομηνία αγοράς. Σε περίπτωση ελαττωμάτων αυτού του προϊόντος, έχετε νόμιμα δικαιώματα κατά του πωλητή του προϊόντος. Αυτά τα νόμιμα δικαιώματα δεν περιορίζονται από την εγγύηση, στην οποία αναφερόμαστε παρακάτω.

'Όροι εγγύησης

Η προθεσμία της εγγύησης αρχίζει με την ημερομηνία της αγοράς. Παρακαλώ φυλάξτε καλά την απόδειξη αγοράς. Απαιτείται ως απόδειξη για την αγορά. Εάν προκύψει εντός τριών ετών από την ημερομηνία της αγοράς κάποιο ελάττωμα υλικού ή παραγωγής, τότε το προϊόν θα διορθωθεί ή θα αντικατασταθεί από εμάς ή θα επιστρέψουμε το ποσό αγοράς. Αυτός ο όρος εγγύησης προϋποθέτει, ότι εντός της προθεσμίας τριών ετών θα προσκομιστούν η ελαττωματική συσκευή και το αποδεικτικό αγοράς (παραστατικό) και ότι περιγράφεται σύντομα εγγράφως η έλλειψη και τότε παρουσιάστηκε. Αν η βλάβη καλύπτεται από την εγγύησή μας, θα λάβετε το επισκευασμένο ή ένα νέο προϊόν. Με την επισκευή ή αντικατάσταση του προϊόντος δεν ξεκινά μια νέα διάρκεια εγγύησης.

Διάρκεια εγγύησης και νομικές αξιώσεις ελλείψεων

Η διάρκεια εγγύησης δεν παρατείνεται από την παροχή εγγύησης. Αυτό ισχύει επίσης για εξαρτήματα που έχουν αντικατασταθεί ή επισκευαστεί. Ζημιές και ελλείψεις που

πιθανόν να υπάρχουν ήδη κατά την αγορά πρέπει να γνωστοποιηθούν αμέσως μετά την αφαίρεση από τη συσκευασία. Μετά τη λήξη της διάρκειας εγγύησης οι επισκευές χρεώνονται.

Περιεχόμενο εγγύησης

Η συσκευή κατασκευάστηκε προσεκτικά σύμφωνα με αυστηρές οδηγίες ποιότητας και δοκιμάστηκε σχολαστικά πριν από την παράδοση. Η παροχή εγγύησης ισχύει για βλάβες υλικού ή παραγωγής. Η εγγύηση αυτή δεν επεκτείνεται σε εξαρτήματα του προϊόντος, τα οποία εκτίθενται στην κανονική φθορά και έτσι θεωρούνται αναλώσιμα υλικά και ούτε σε βλάβες σε εύθραυστα τμήματα, π.χ. διακόπτες, συσσωρευτές ή εξαρτήματα από γυαλί. Αυτή η εγγύηση παύει να ισχύει, εάν το προϊόν φέρει βλάβη, δεν χρησιμοποιήθηκε κατάλληλα και δεν συντηρήθηκε. Για την προβλεπόμενη χρήση του προϊόντος πρέπει να τηρούνται επακριβώς όλες οι υποδείξεις που περιγράφονται στις οδηγίες χρήσης. Σκοποί χρήσης και ενέργειες, που δεν συνιστώνται από τις οδηγίες χρήσης, πρέπει οπωσδήποτε να αποφεύγονται. Το προϊόν προορίζεται αποκλειστικά για ιδιωτική και όχι για επαγγελματική χρήση. Σε περίπτωση κατάχρησης ή λανθασμένης χρήσης, άσκηση βίας και επεμβάσεων, που δεν πραγματοποιούνται από την εξουσιοδοτημένη αντιπροσωπεία σέρβικς, παύει να ισχύει η εγγύηση.

Δικεπραίωση σε περίπτωση εγγύησης

Για τη γρήγορη επεξεργασία του αιτήματός σας παρακαλούμε ακολουθήστε τις παρακάτω **Υποδείξεις:**

- Παρακαλώ να έχετε μαζί σας για ενδεχόμενες ερωτήσεις την απόδειξη ταμείου και τον αριθμό προϊόντος (π.χ. IAN 123456) ως απόδειξη αγοράς.
- Ο αριθμός προϊόντος αναγράφεται στην πινακίδα τύπου του προϊόντος, στην εγχάραξη στο προϊόν, στο φύλλο τίτλου των

οδηγιών (κάτω αριστερά) ή στο αυτοκόλλητο στην πίσω ή κάτω πλευρά του προϊόντος.

- Αν παρουσιαστούν δυσλειτουργίες ή άλλες ελλείψεις, επικοινωνήστε αρχικά τηλεφωνικά ή μέσω e-mail με το παρακάτω τμήμα σέρβις.
- Ένα προϊόν που διαπιστώνεται ως ελαττωματικό μπορεί μαζί με το αποδεικτικό αγοράς (παραστατικό) και την περιγραφή της έλλειψης και πότε παρουσιάστηκε να σταλεί χωρίς έξοδα αποστολής στην αναφερόμενη διεύθυνση σέρβις.

Με την αντικατάσταση της συσκευής, σύμφωνα με το ΝΟΜΟΣ 2251/1994, ξεκινάει εκ νέου ο χρόνος εγγύησης.

● Σέρβις



Σέρβις Ελλάδα
Tel. : 00800 80040044
E-Mail: administration@mynetsend.de



Σέρβις Κύπρος
Tel. : 00800 80040044
E-Mail: administration@mynetsend.de

IAN 400303_2107

Παρακαλώ να έχετε μαζί σας για ενδεχόμενες ερωτήσεις την απόδειξη ταμείου και τον αριθμό προϊόντος (π.χ. IAN 123456) ως απόδειξη αγοράς.

Μπορείτε να βρείτε την τρέχουσα έκδοση των οδηγιών χρήσης στον διαδικτυακό τόπο: www.citygate24.de

Sonnenschirm

● Einleitung



Wir beglückwünschen Sie zum Kauf Ihres neuen Produkts. Sie haben sich damit für ein hochwertiges Produkt entschieden. Bitte lesen Sie diese Bedienungsanleitung vollständig und sorgfältig durch. Diese Anleitung gehört zu diesem Produkt und enthält wichtige Hinweise zur Inbetriebnahme und Handhabung. Beachten Sie immer alle Sicherheitshinweise. Sollten Sie Fragen haben oder unsicher in Bezug auf die Handhabung des Produkts sein, setzen Sie sich bitte mit Ihrem Händler oder der Servicestelle in Verbindung. Bewahren Sie diese Anleitung bitte sorgfältig auf und geben Sie sie ggf. an Dritte weiter.

● Zeichenerklärung



Bedienungsanleitung lesen!



Ausgabedatum der Bedienungsanleitung (Monat/Jahr)



Herstellungsdatum (Monat/Jahr)



Lebens- und Unfallgefahr für Kleinkinder und Kinder!



Warn- und Sicherheitshinweise beachten!



UV-Lichtschutzfaktor



Wasserabweisend



Schmutzabweisend



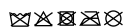
Sorgen Sie für ausreichend Abstand zwischen dem Produkt und Hindernissen



Nicht gewaltsam verstellen



Demontieren Sie das Produkt bei Wind



Nicht waschen!



Entsorgen Sie Verpackung und Produkt umweltgerecht!



Verpackung aus FSC-zertifiziertem Mix-Holz

● Bestimmungsgemäße Verwendung

Dieses Produkt ist nur für den Einsatz in privaten Haushalten vorgesehen und für gewerbliche Zwecke nicht geeignet. Eine andere Verwendung als zuvor beschrieben oder eine Veränderung des Produkts ist nicht zulässig und kann zu Sachschäden oder sogar zu Personenschäden führen. Der Hersteller oder Händler übernimmt keine Haftung für Schäden, die durch nicht bestimmungsgemäßen oder falschen Gebrauch entstanden sind.

● Lieferumfang

- 1 x Sonnenschirm
- 1 x Bedienungsanleitung

● Teilebeschreibung

- 1 Sonnenschirm
- 2 Standrohr (oben)
- 3 Standrohr (unten)
- 4 Druckknopf
- 5 Bohrung
- 6 Griff

● Technische Daten

Modellnummer:	1061-G
Material (Speichen):	Stahl
Abmessungen (H x Ø):	235 x 260 cm
Durchmesser (unteres Standrohr):	38 mm
Gewicht (Polyesterbezug):	180 g/m ²
UV-Lichtschutzfaktor:	50+
Mindestgewicht des Schirmständers (nicht im Lieferumfang enthalten):	50 kg

● Sicherheitshinweise



Sicherheitshinweise



▲ WARNUNG!

LEBENS- UND UNFALLGEFAHR FÜR KLEINKINDER UND KINDER!

Lassen Sie Kinder niemals unbeaufsichtigt mit dem Verpackungsmaterial. Es besteht Erstickungsgefahr durch Verpackungsmaterial. Kinder unterschätzen häufig die Gefahren. Halten Sie Kinder stets vom Produkt fern.

- Dieses Produkt kann von Kindern ab 8 Jahren und darüber sowie von Personen mit verringerten physischen, sensorischen oder mentalen Fähigkeiten oder Mangel an Erfahrung und Wissen benutzt werden, wenn sie beaufsichtigt oder bezüglich des sicheren Gebrauchs des Produkts unterwiesen wurden und die daraus resultierenden Gefahren verstehen. Kinder dürfen nicht mit dem Produkt spielen. Reinigung und Benutzerwartung dürfen nicht von Kindern ohne Beaufsichtigung durchgeführt werden.
- Halten Sie Kinder während der Montage vom Arbeitsbereich fern. Zum Lieferumfang gehört eine Vielzahl von Schrauben sowie

andere Kleinteile. Diese können beim Verschlucken oder Inhalieren lebensgefährlich sein.

- Das Produkt ist kein Kinderspielzeug!
- Achten Sie darauf, dass sich Kinder nicht unbeaufsichtigt in der Nähe des Produktes aufhalten.
- Verwenden Sie das Produkt nicht, wenn Sie irgendwelche Beschädigungen feststellen.
- Der Hersteller/Vertreiber dieses Produkts übernimmt keine Verantwortung für Verletzungen oder Schäden, die als Folge unsachgemäßer Montage/unsachgemäßen Gebrauchs entstehen.
- Manipulieren oder verändern Sie niemals das Produkt. Schweißen Sie keine externe Stangen an das Produkt und bringen Sie keine elektrischen Geräte am Produkt und den Einzelteilen an.



VERLETZUNGSGEFAHR!

Unsachgemäßer Umgang mit dem Produkt sowie fehlerhafte Montage können zu Verletzungen führen.

- Verwenden Sie das Produkt nicht mehr, wenn sich Schraubverbindungen gelockert haben oder die Metall- oder Kunststoffteile des Produkts Verformungen, Risse oder andere Beschädigungen aufweisen.
- Kunststoff und Metall reagieren auf Belastungen und Temperatureinflüsse, indem sie sich ausdehnen und zusammenziehen. Prüfen Sie regelmäßig alle Schraubverbindungen und ziehen Sie sie ggf. nach.
- Hängen Sie sich nicht an das Produkt und ziehen Sie sich nicht daran hoch.
- Das Produkt kann Ihre Haut vor direkter UV-Strahlung, aber nicht vor reflektierenden Sonnenstrahlen schützen. Verwenden Sie zusätzlichen Sonnenschutz.
- Achten Sie bei der Montage und bei der Verwendung des Produkts darauf, dass Sie Ihre Finger nicht quetschen.
- Achten Sie beim Aufstellen des Produkts auf eine ebene und stabile Oberfläche.

- Das Produkt nicht auf sandigem, lehmigem Boden oder auf loser Erde aufstellen.
- Lassen Sie das Produkt während der Verwendung nicht unbeaufsichtigt.



BESCHÄDIGUNGSGEFAHR!

Unsachgemäßer Umgang mit dem Produkt kann zu Beschädigungen des Produkts führen.

- Verwenden Sie zur Reinigung keinen Dampfreiniger.
- Verwenden Sie das Produkt nicht mehr, wenn die Bauteile des Produkts Risse oder Sprünge haben oder sich verformt haben. Ersetzen Sie beschädigte Bauteile nur durch passende Originalersatzteile.
- Verwenden Sie einen für das Produkt geeigneten Schirmständer.
Hinweis: Beachten Sie hierbei die Angaben des Schirmständerherstellers.
- Demontieren Sie das Produkt bei aufkommendem Wind oder Gewitter.
- Demontieren Sie das Produkt bei Regen oder Schnee, um es vor übermäßiger Beanspruchung zu schützen.
- Hängen Sie keine Gegenstände am Produkt auf.
- Verwenden Sie das Produkt nur mit ausreichender Ballastierung.
- Entfachen Sie niemals offenes Feuer in der Nähe oder unterhalb des Produktes. Halten Sie das Produkt von Hitzequellen fern.

● Montage

Hinweis: Nehmen Sie das Produkt aus der Verpackung und entfernen Sie sämtliche Verpackungsmaterialien.

- Prüfen Sie, ob die Lieferung vollständig ist.
- Prüfen Sie, ob das Produkt oder die Einzelteile Schäden aufweisen. Ist dies der Fall, benutzen Sie das Produkt nicht. Wenden Sie sich über die angegebene Serviceadresse an den Inverkehrbringer.



VERLETZUNGSGEFAHR!

Unsachgemäßer Umgang mit dem Produkt kann zu Beschädigungen des Produkts führen.

- Stellen Sie das Produkt nie ohne geeigneten Schirmständer auf.
- Das Mindestgewicht für den Schirmständer muss 50 kg betragen.
- Das Produkt nicht auf sandigem, lehmigem Boden oder auf loser Erde aufstellen.
- Stellen Sie einen geeigneten Schirmständer (nicht im Lieferumfang enthalten) an die gewünschte Position.
- Achten Sie darauf, dass das untere Ende des Standrohrs (unten) **[3]** mindestens 40 cm tief in den Schirmständer hineinragt.
- Fixieren Sie das Standrohr (unten) **[3]** im Schirmständer, wie in der Bedienungsanleitung des Schirmständerherstellers beschrieben.
- Achten Sie auf einen festen Sitz.
- Befestigen Sie den Sonnenschirm **[1]** auf dem Standrohr (unten) **[3]** (siehe Abb. A). Stecken Sie das Standrohr (oben) **[2]** über das Standrohr (unten) **[3]** (siehe Abb. A).
- Richten Sie hierzu die Bohrung **[5]** nach dem Druckknopf **[4]** aus (siehe Abb. A).



QUETSCHGEFAHR! Achten Sie darauf, dass Sie Ihre Hände nicht quetschen.

- Für die einfache Montage, drücken Sie auf den Druckknopf **[4]**, während Sie das Standrohr (oben) **[2]** über das Standrohr (unten) **[3]** schieben (siehe Abb. A).
- Stellen Sie sicher, dass sich der Druckknopf **[4]** in der Bohrung **[5]** befindet.
- Für die Demontage drücken Sie auf den Druckknopf **[4]** und heben Sie das Standrohr (oben) **[2]** an, bis die Verbindung gelöst ist.

● Sonnenschirm öffnen/schließen

- Zum Öffnen des Sonnenschirms schieben Sie den Griff **[6]** nach oben, bis der

Sonnenschirm vollständig geöffnet ist (siehe Abb. B).

- Zum Schließen des Sonnenschirms ziehen Sie den Griff **[6]** nach unten, bis der Sonnenschirm vollständig geschlossen ist.

● Reinigung und Lagerung

- Verwenden Sie keine aggressiven Reinigungsmittel, Bürsten mit Metall- oder Nylonborsten sowie keine scharfen oder metallischen Reinigungsgegenstände, wie Messer, harte Spachtel und dergleichen. Diese können die Oberflächen beschädigen.
- Der Bezug ist nicht waschbar.
- Verwenden Sie zur Reinigung nur ein trockenes, fusselfreies Tuch. Bei stärkeren Verschmutzungen feuchten Sie das Tuch leicht an.
- Alle Teile müssen vor dem Aufbewahren vollkommen trocken sein
- Lagern Sie das Produkt im Winter an einem kühlen, trockenen Ort. Vermeiden Sie, das Produkt in einem beheizten Raum zu lagern.

● Entsorgung



Beachten Sie die Kennzeichnung der Verpackungsmaterialien bei der Abfalltrennung, diese sind gekennzeichnet mit Abkürzungen (a) und Nummern (b) mit folgender Bedeutung:

- 1–7: Kunststoffe
- 20–22: Papier und Pappe
- 80–98: Verbundstoffe



Möglichkeiten zur Entsorgung des ausgedienten Produkts erfahren Sie bei Ihrer Gemeinde- oder Stadtverwaltung.

Werfen Sie Ihr Produkt, wenn es ausgedient hat, im Interesse des Umweltschutzes nicht in den Hausmüll, sondern führen Sie es einer

fachgerechten Entsorgung zu. Über Sammelstellen und deren Öffnungszeiten können Sie sich bei Ihrer zuständigen Verwaltung informieren.

● **Garantie**

Sehr geehrte Kundin, sehr geehrter Kunde, Sie erhalten auf dieses Gerät 3 Jahre Garantie ab Kaufdatum. Im Falle von Produktmängeln stehen Ihnen gegenüber dem Verkäufer des Produkts gesetzliche Rechte zu. Diese gesetzlichen Rechte werden durch unsere im Folgenden dargestellten Garantiebedingungen nicht eingeschränkt.

Garantiebedingungen

Die Garantiefrist beginnt mit dem Kaufdatum. Bitte bewahren Sie den Original Kassenbon gut auf. Dieser wird als Nachweis für den Kauf benötigt. Tritt innerhalb von drei Jahren ab dem Kaufdatum dieses Produkts ein Material- oder Fabrikationsfehler auf, wird das Produkt von uns – nach unserer Wahl – für Sie kostenlos repariert, ersetzt, oder der Kaufpreis erstattet. Diese Garantieleistung setzt voraus, dass innerhalb der Drei-Jahres-Frist das defekte Gerät und der Kaufbeleg (Kassenbon) vorgelegt und schriftlich kurz beschrieben wird, worin der Mangel besteht und wann er aufgetreten ist. Wenn der Defekt durch unsere Garantie gedeckt wird, erhalten Sie das reparierte oder ein neues Produkt zurück. Mit Reparatur oder Austausch des Produkts beginnt kein neuer Garantiezeitraum.

Garantiezeit und gesetzliche Mängelansprüche

Die Garantiezeit wird durch die Gewährleistung nicht verlängert. Dies gilt auch für ersetzte und reparierte Teile. Eventuell schon beim Kauf vorhandene Schäden und Mängel müssen sofort nach dem Auspacken gemeldet werden. Nach

Ablauf der Garantiezeit anfallende Reparaturen sind kostenpflichtig.

Garantieumfang

Das Gerät wurde nach strengen Qualitätsrichtlinien sorgfältig produziert und vor Anlieferung gewissenhaft geprüft. Die Garantieleistung gilt für Material- oder Fabrikationsfehler. Diese Garantie erstreckt sich nicht auf Produktteile, die normaler Abnutzung ausgesetzt sind und daher als Verschleißteile angesehen werden können oder auf Beschädigungen an zerbrechlichen Teilen, z. B. Schalter, Akkus oder aus Glas gefertigte Teile. Diese Garantie verfällt, wenn das Produkt beschädigt, nicht sachgemäß benutzt oder gewartet wurde. Für eine sachgemäße Benutzung des Produkts sind alle in der Bedienungsanleitung aufgeführten Anweisungen genau einzuhalten. Verwendungszwecke und Handlungen, von denen in der Bedienungsanleitung abgeraten oder vor denen gewarnt wird, sind unbedingt zu vermeiden. Das Produkt ist lediglich für den privaten und nicht für den gewerblichen Gebrauch bestimmt. Bei missbräuchlicher und unsachgemäßer Behandlung, Gewaltanwendung und bei Eingriffen, die nicht von unserer autorisierten Service-Niederlassung vorgenommen wurden, erlischt die Garantie.

Abwicklung im Garantiefall

Um eine schnelle Bearbeitung Ihres Anliegens zu gewährleisten, folgen Sie bitte den folgenden

Hinweisen:

- Bitte halten Sie für alle Anfragen den Kassenbon und die Artikelnummer (z. B. IAN 123456) als Nachweis für den Kauf bereit.
- Die Artikelnummer entnehmen Sie bitte dem Typenschild am Produkt, einer Gravur am Produkt, dem Titelblatt Ihrer Anleitung (unten links) oder dem Aufkleber auf der Rück- oder Unterseite des Produktes.

- Sollten Funktionsfehler oder sonstige Mängel auftreten, kontaktieren Sie zunächst die nachfolgend benannte Service-Abteilung telefonisch oder per E-Mail.
- Ein als defekt erfasstes Produkt können Sie dann unter Beifügung des Kaufbelegs (Kassenbon) und der Angabe, worin der Mangel besteht und wann er aufgetreten ist, für Sie portofrei an die Ihnen mitgeteilte Service-Anschrift übersenden.

● **Service**

DE

Service Deutschland
Tel.: 00800 80040044
E-Mail: administration@mynetsend.de

AT

Service Österreich
Tel.: 00800 80040044
E-Mail: administration@mynetsend.de

CH

Service Schweiz
Tel.: 00800 80040044
E-Mail: administration@mynetsend.de

IAN 400303_2107


Bitte halten Sie für alle Anfragen den Kassenbon und die Artikelnummer (z. B. IAN 123456) als Nachweis für den Kauf bereit.


Eine aktuelle Version der Bedienungsanleitung finden Sie unter:
www.citygate24.de



citygate24 GmbH

Lange Mühren 1
20095 Hamburg
GERMANY

 12/2021
Model No.: 1061-G

 04/2022

IAN 400303_2107

