



PARASOL

GB IE NI

PARASOL

Operating and safety information

DE AT CH

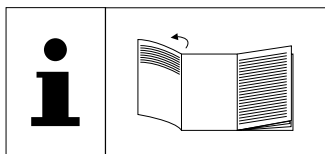
SONNENSCHIRM

Bedienungs- und Sicherheitshinweise

DK

PARASOL

Betjenings- og sikkerhedsanvisninger



GB **IE** **NI**

Before you start reading, please fold out the illustrations page and familiarise yourself with all of the item's functions.

DK

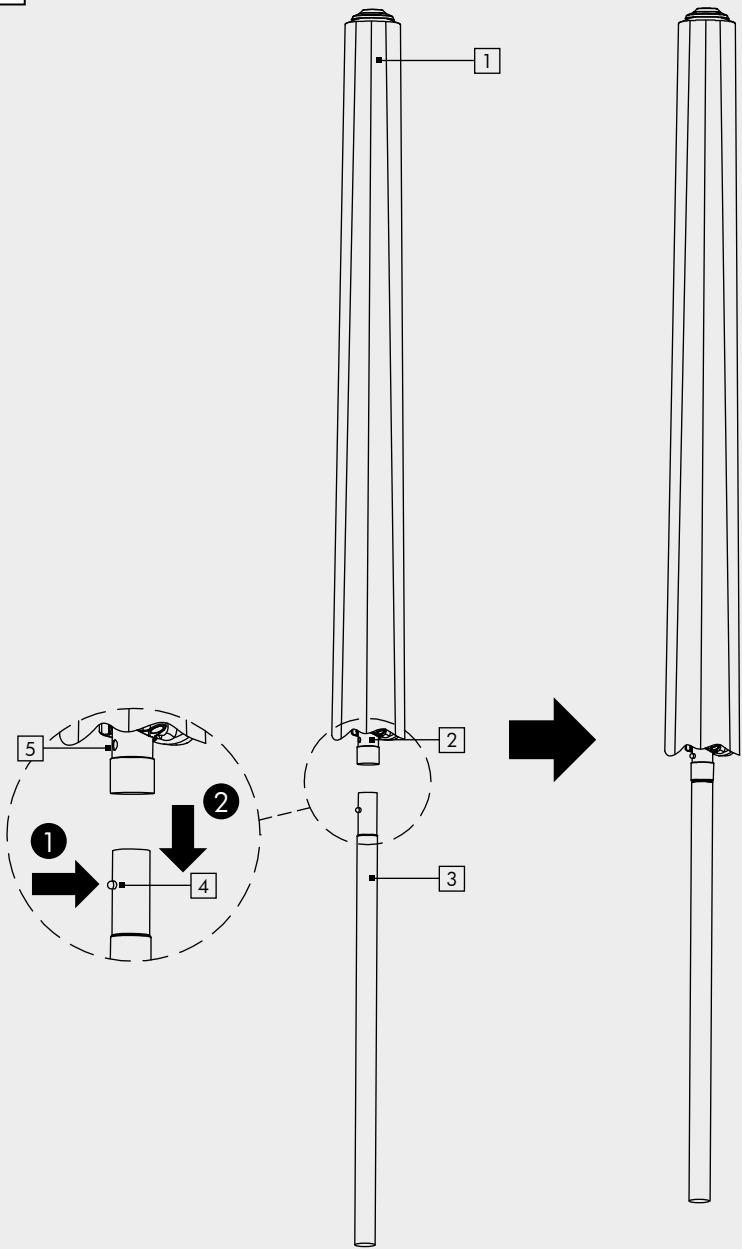
Inden du læser, skal du klappe siden med illustrationerne ud og derefter lære alle produktets funktioner at kende.

DE **AT** **CH**

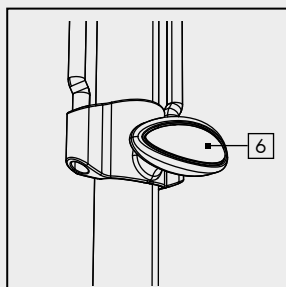
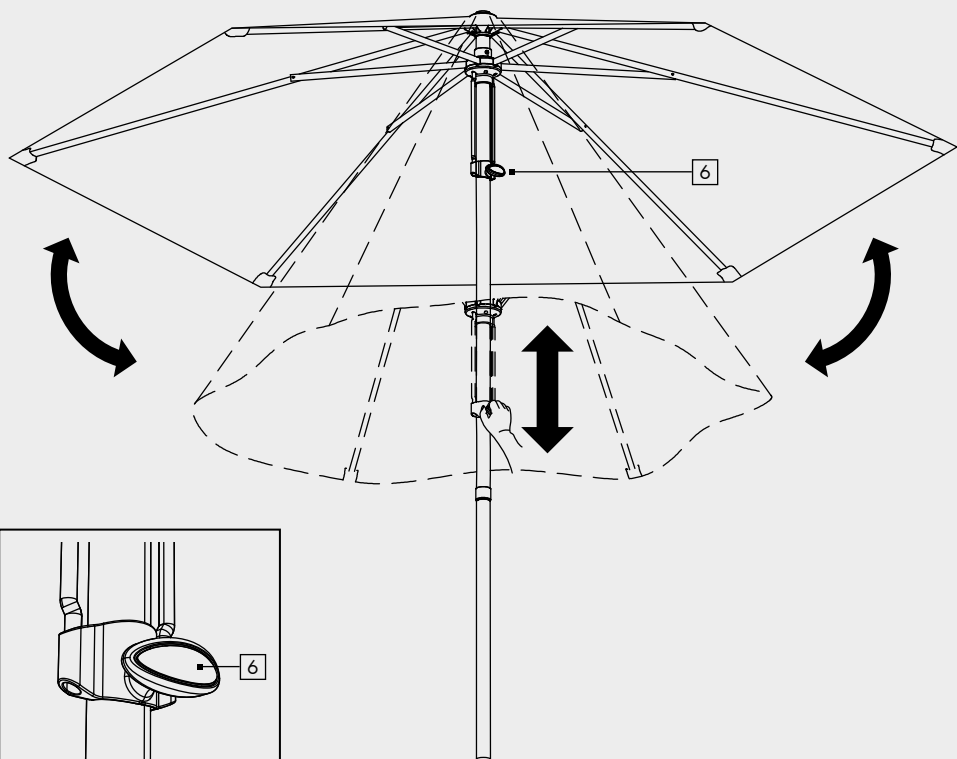
Klappen Sie vor dem Lesen die Seite mit den Abbildungen aus und machen Sie sich anschließend mit allen Funktionen des Artikels vertraut.

GB/IE/NI	Operating and safety information	page	6
DK	Betjenings- og sikkerhedsanvisninger	side	10
DE/AT/CH	Bedienungs- und Sicherheitshinweise	Seite	15

A



B



GB IE NI

Introduction	6
Explanation of symbols	6
Intended use	6
Included in package	6
Description of parts	6
Technical specifications	6
Safety instructions	7
Assembly and installation	8
Opening/closing the parasol	8
Cleaning and storage	8
Disposal	8
Warranty	9
Service	10

DK

Indledning	10
Tegnforklaring	10
Forskriftsmæssig anvendelse	11
Leveringsomfang	11
Delbeskrivelse	11
Tekniske data	11
Sikkerhedsanvisninger	11
Montage	12
Parasol slås op/lukkes	13
Rengøring og opbevaring	13
Bortskaffelse	13
Garanti	13
Service	14

DE AT CH

Einleitung	15
Zeichenerklärung	15
Bestimmungsgemäße Verwendung	15
Lieferumfang	15
Teilebeschreibung	15
Technische Daten	16
Sicherheitshinweise	16
Montage	17
Sonnenschirm öffnen/schließen	18
Reinigung und Lagerung	18
Entsorgung	18
Garantie	18
Service	19

Parasol

● Introduction



Congratulations on the purchase of your new product. You have chosen a high-quality product. Please read these operating instructions thoroughly and carefully. These instructions are an essential part of the product and contain important information on first-time use and handling. Always observe all safety instructions. If you have any questions or are unsure how to operate the product, please contact your retailer or service centre. Please keep this manual in a safe place and pass it on to third parties where necessary.

● Explanation of symbols



Read the operating instructions!



Issue date of instruction manual (month/year)



Date of manufacture (month/year)



Risk of fatal injury and accidents for infants and children!



Observe warning notices and safety instructions!



UV protection factor



Water repellent



Dirt repellent



Ensure sufficient distance between the product and any obstacles



Do not adjust forcibly



Dismount product in windy weather

 Do not wash!



Dispose of packaging and product in an environmentally friendly manner!



Packaging made of FSC certified wood mix



Address of supplier

● Intended use

This product is intended for use in private households only. It is unsuitable for commercial use. Any type of use other than that described herein or any modification of the product is prohibited and likely to cause damage or even personal injury. The manufacturer or retailer accepts no liability for loss or damage that occurs as a result of use other than intended or incorrect use.

● Included in package

- 1 x parasol
- 1 x instruction manual

● Description of parts

- 1 Parasol
- 2 Pole (top)
- 3 Pole (base)
- 4 Snap stud
- 5 Snap hole
- 6 Handle

● Technical specifications

Model number: 1061-G
Material (ribs): Steel
Dimensions (H x Ø): 235 x 260 cm
Diameter (base pole): 38 mm

Weight (polyester canopy):	180 g/m ²
UV protection factor:	50+
Minimum weight of base (not included):	50 kg

● Safety instructions



Safety instructions



⚠ WARNING!

RISK OF FATAL INJURY AND ACCIDENTS TO INFANTS AND CHILDREN!

- Never leave children unsupervised with the packaging material. There is a danger of suffocation from the packaging material. Children often underestimate the dangers. Always keep children away from the product.
- This product can be used by children aged 8 years and over, as well as by persons with limited physical, sensory or mental abilities or lacking in experience and knowledge if they have been supervised and instructed as to the safe use of the product and understand the resulting hazards. Do not let children play with the product. Cleaning and maintenance may not be carried out by children without proper supervision.
 - Keep children away from the work area during installation. The product as supplied includes a number of screws and other small parts. These can be fatal if they are swallowed or inhaled.
 - This product is not a toy!
 - Do not leave children unattended near the product.
 - Do not use the product if you notice any damage.
 - The manufacturer/distributor of this product accepts no responsibility whatsoever for personal injury or damage resulting from incorrect installation or use.

- Never tamper with or modify the product. Never use the product with external tubes or poles and never mount any electrical appliances on the product or its components.



RISK OF INJURY! Incorrect handling of the product or incorrect installation may potentially result in personal injury.

- Discontinue using the product if screws have loosened or if its metal or plastic parts show deformities, cracks, tears or other damage.
- Plastic and metal react to mechanical stress or temperature changes by expanding or contracting. Check all screw connections regularly and tighten if required.
- Never hang your weight on the product or pull yourself up by it.
- The product can protect your skin from direct UV radiation, but not from reflected sunlight. Always wear sunscreen additionally.
- When installing and using the product, be careful not to get your fingers trapped.
- Only install the product on stable, even surfaces.
- Do not place the product on sandy or soft ground or on loose soil.
- Do not leave the product unattended while in use.



RISK OF DAMAGE! Improper handling of the product may result in damage to the product.

- Do not use steam cleaners for cleaning.
 - Stop using the product if the plastic components of the product have cracks or have become deformed. Only replace faulty parts using matching original components.
 - Use a suitable base for the product.
- Please note:** Please observe the instructions provided by the manufacturer of the base.
- Dismount product when windy weather or thunderstorms are expected.

- Dismount the product during longer periods of rain or snow to protect it from excessive stress.
- Do not hang items on the product.
- Always secure the product with sufficient ballasting.
- Never light an open fire near or underneath the product. Keep the product away from heat sources.

● **Assembly and installation**

Please note: Take the product out of its packaging and remove all packing material.

- Check that all package contents are present.
- Check if the product or individual parts are damaged. If that is the case, do not use the product. Contact the distributor via the service address given in the warranty section.



RISK OF INJURY! Improper handling of the product may result in damage to the product.

- Use a base with a minimum weight of 50 kg.
- Do not place the product on sandy or soft ground or on loose soil.
- Place the product in a suitable base (not included in delivery) and position in the desired spot.
- Always make sure that the lower part of the (base) pole [3] is inserted at least 40 cm deep into the base.
- Insert the (base) pole [3] into the base and fasten, following the instructions provided by the manufacturer of the base.
- Make sure the product is firmly fixed in place.
- Position the parasol [1] above the (base) pole [3] (see Fig. A). Let the (top) pole [2] glide over the (base) pole [3] (see Fig. A).
- Make sure that the snap stud [4] is aligned with the hole [5] (see Fig. A).



RISK OF TRAPPING/PINCHING!

Take care not to get your hand trapped.

- For easy assembly, press down on the snap stud [4] while letting the (top) pole [2] glide over the (base) pole [3] (see Fig. A).
- Make sure the snap stud [4] fits exactly into the hole [5].
- For easy disassembly, press down on the snap stud [4] while lifting the (top) pole [2] until you can remove the pole.

● **Opening/closing the parasol**

- To open the parasol, push the handle [6] upwards until the parasol has fully opened (See Fig. B).
- To close the parasol, pull down the handle [6] until the parasol has fully closed.

● **Cleaning and storage**

- Do not use corrosive cleaning agents, brushes with metal or nylon bristles or sharp or metallic cleaning implements such as knives, hard spatulas or the like. These may damage surfaces.
- The canopy fabric is not washable.
- Use only a dry, lint-free cloth for cleaning. If the product is very dirty, dampen the cloth slightly.
- All parts must be completely dry before storage.
- In winter, store the product in a cool, dry place. Avoid storing the product in a heated room.

● **Disposal**



Note the labels on the packaging materials when sorting the waste; they are marked with abbreviations (a) and numbers (b) with the following meanings:

- 1-7: Plastics
- 20-22: Paper and cardboard
- 80-98: Composite materials



You can find out how to dispose of the used product by contacting your local district or city council.

In the interest of environmental protection, when the product has reached the end of its useful life, do not dispose of it as general household waste but have it properly recycled. For information on recycling centres and their opening times, please contact your local council.

● **Warranty**

Dear customer, This product comes with a 3-year warranty from the date of purchase. In the event that this product is faulty, you have legal rights against the seller of the product. These statutory rights are not restricted by our warranty as set out below.

Warranty terms

The warranty period begins with the date of purchase. Please keep the original receipt in a safe place. It is required as proof of purchase. If a material or manufacturing defect occurs within three years of the date of purchase, we will repair or replace the product for you free of charge, or refund the purchase price, at our discretion. This warranty service is granted provided that the faulty device and the proof of purchase (receipt) are presented within three years, along with a brief written description of the fault and of when it occurred. If the fault is covered by our warranty, we will return the fixed product or send you a new one. No new warranty period shall begin upon repair or replacement of the product.

Warranty period and statutory warranty claims

The warranty period is not renewed after a warranty service has been granted. This rule shall also apply for any replaced or repaired parts. Any damage or faults that already existed when buying the product must be reported immediately upon unpacking the product. A fee is charged for any repairs that are carried out after the end of the warranty period.

Warranty scope

The device was carefully manufactured according to the strictest quality guidelines and thoroughly tested before delivery. The warranty applies to material or manufacturing defects. This warranty does not apply to product parts that are subject to normal wear and tear and can therefore be regarded as wearing parts, or damage to fragile parts, such as switches, rechargeable batteries or parts that are made of glass. This warranty is void if the product has been damaged, improperly used or serviced. To ensure proper use, all instructions included in the manual must be followed carefully. All uses and actions that users are discouraged from or warned of in the manual must be avoided under all circumstances. The product is intended for private household use only, and not for commercial activities. The warranty is void, if force is applied, and in the case of any manipulation that is not carried out by our authorised service branch.

Warranty processing

To ensure your request is handled swiftly, please observe the following **Notes**:

- Please have the receipt and the article number (e.g. IAN 123456) ready as proof of purchase for all enquiries.
- Please refer to the type plate on the product, an engraving on the product, the cover of the manual (bottom left) or the

sticker on the back or base of the product to find out the product number.

- In the case of any malfunctions or other defects, please call or email the service department indicated below as a first step.
- After your product has been registered as faulty, you can send it to the specified service address, free of charge. Please include the proof of purchase (receipt) and information about the defect and about when it occurred.

● Service

GB

Service Great Britain

Tel. : 00800 80040044

E-Mail: administration@mynetsend.de

IE NI

Service Ireland

Tel. : 00800 80040044

E-Mail: administration@mynetsend.de

IAN 400303_2107

Please have the receipt and the article number (e.g. IAN 123456) ready as proof of purchase for all enquiries.

You can find an up-to-date version of the operating instructions at: www.citygate24.de

Parasol

● Indledning



Vi ønsker dig tillykke med købet af dit nye produkt. Du har dermed valgt et førsteklases produkt. Du bedes læse denne instruktionsbog helt og grundigt igennem. Denne instruktionsbog hører til dette produkt og indeholder vigtige henvisninger til opstart og håndtering. Vær altid opmærksom på alle sikkerhedsanvisninger. Hvis du har spørgsmål eller er usikker i forhold til håndtering af produktet, bedes du kontakte din forhandler eller vores kundeservice. Du bedes opbevare denne instruktionsbog og eventuelt videregive den til tredjemand.

● Tegnforklaring



Læs instruktionsbogen!



Instruktionsbogen er udgivet (måned/år)



Produktionsdato (måned/år)



Livsfare og fare for ulykker for småbørn og børn!



Overhold advarsler og sikkerhedsanvisninger!



UV-lysbeskyttelsesfaktor



Vandafvisende



Smudsafvisende



Sørg for passende afstand mellem produktet og forhindringer



Må ikke indstilles med magt



Produktet skal demonteres, når det blæser

☒☒☒☒☒ Må ikke vaskes!



Emballage og produkt
bortskaffes miljøvenligt!



Emballage af FSC-certificeret
blandingstræ



Leverandørens adresse

● Forskriftsmæssig anvendelse

Dette produkt er kun beregnet til anvendelse i private hjem og ikke egnet til erhvervmæssige formål. En anden anvendelse end tidligere beskrevet eller en ændring af produktet er ikke tilladt og kan føre til materielle skader eller endda personkvæstelser. Producenten eller forhandleren tager ikke ansvar for skader, som måtte være opstået på grund af ikke forskriftsmæssig eller forkert anvendelse.

● Leveringsomfang

1 x parasol
1 x instruktionsbog

● Delbeskrivelse

- 1 Parasol
- 2 Standerrør (øvre)
- 3 Standerrør (nedre)
- 4 Trykknop
- 5 Hul
- 6 Håndtag

● Tekniske data

Modelnummer: 1061-G
Materiale (eger): Stål
Dimensioner (H x Ø): 235 x 260 cm

Diameter (nedre
standerrør): 38 mm
Vægt
(polyesterbetræk): 180 g/m²
UV-
lysbeskyttelsesfaktor: 50+
Minimum vægt på
parasolstander (ikke
indeholdt i
leveringsomfanget): 50 kg

● Sikkerhedsanvisninger



Sikkerhedsanvisninger



⚠ ADVARSEL!

LIVSFARE OG FARE FOR ULYKKER FOR SMÅBØRN OG

BØRN! Lad aldrig børn være uden opsyn med emballagematerialet. Der er fare for kvælning på grund af emballagematerialet. Børn undervurderer ofte risici. Hold altid børn på afstand af produktet.

- Dette produkt kan anvendes af børn fra 8 år og derover samt af personer med nedsatte fysiske, sensoriske eller mentale evner eller mangel på erfaring og kendskab, hvis de er under opsyn, eller hvis de er blevet instrueret i sikker anvendelse af produktet og forstår de deraf resulterede risici. Børn må ikke lege med produktet. Rengøring og brugervedligeholdelse må ikke foretages af børn uden opsyn.
- Under montagen skal børn holdes på afstand af arbejdsområdet. Til leveringsomfanget hører et antal af skruer og andre smådele. Disse kan være livsfarlige, hvis de sluges eller indåndes.
- Produktet er ikke legetøj for børn!
- Sørg for, at børn ikke opholder sig i nærheden af produktet uden opsyn.
- Anvend ikke produktet, hvis du konstaterer beskadigelser.
- Producenten/forhandleren af dette produkt

tager ikke ansvar for kvæstelser eller skader, som måtte opstå som følge af ukyndig montage/uhensigtsmæssig anvendelse.

- Produktet må aldrig manipuleres eller ændres. Du må ikke svejse eksterne stænger på produktet, og anbring ikke elektrisk udstyr på produktet og på de enkelte dele.



FARE FOR KVÆSTELSE! Ukyndig håndtering af produktet samt fejlagtig montage kan medføre

kvæstelser.

- Anvend ikke produktet længere, hvis skruesamlinger har løst sig, eller produktets metal- eller plastdele har deformationer, ridser eller andre beskadigelser.
- Plast og metal reagerer på belastninger og temperaturpåvirkninger ved at udvide sig eller trække sig sammen. Kontrollér regelmæssigt alle skruesamlinger og efterspænd dem eventuelt.
- Du må ikke hænge dig i produktet, og træk dig ikke op i det.
- Produktet kan beskytte din hud mod direkte UV-stråler men ikke mod reflekterende solstråler. Anvend ekstra solbeskyttelse.
- Ved montage og anvendelse af produktet skal du passe på ikke at klemme fingrene.
- Ved opstilling af produktet skal du sørge for en jævn og stabil overflade.
- Produktet må ikke opstilles på sandet, leret jord eller på løs jord.
- Lad ikke produktet være uden opsyn under anvendelsen.



FARE FOR SKADER! Ukyndig håndtering af produktet kan medføre beskadigelser.

- Til rengøringen anvendes ikke damprenser.
- Anvend ikke produktet længere, hvis produktets komponenter har ridser eller revner eller er deformerede. Lad kun beskadigede komponenter erstatte af passende originale reservedele.
- Anvend en skærmstander, som er egnet til produktet.

Henvisning: Her skal du være opmærksom på oplysningerne fra producenten af skærmstanderen.

- Produktet skal demonteres, hvis det trækker op til blæst eller uvejr.
- Produktet skal demonteres ved regn- eller snevejr for at beskytte det mod overdreven belastning.
- Hæng ikke genstande på produktet.
- Anvend kun produktet med tilstrækkelig ballastering.
- Antænd aldrig åben ild i nærheden af eller under produktet. Hold produktet på afstand af varmekilder.

● Montage

Henvisning: Tag produktet ud af emballagen og fjern alle emballagematerialer.

- Kontrollér, om leverancen er fuldstændig.
- Kontrollér, om produktet eller de enkelte dele er beskadiget. Hvis dette er tilfældet, må du ikke anvende produktet. Henvend dig til forhandleren på den serviceadresse, som er angivet på garantibeviset.



FARE FOR KVÆSTELSE! Ukyndig håndtering af produktet kan medføre beskadigelser på

produktet.

- Opstil aldrig produktet uden egnet parasolstander.
- Parasolstanderen skal have en minimum vægt på 50 kg.
- Produktet må ikke opstilles på sandet, leret jord eller på løs jord.
- Stil en egnet parasolstander (ikke indeholdt i leveringsomfanget) på det ønskede sted.
- Sørg for, at den nederste ende af standerrøret (nedre) **3** går mindst 40 cm ned i parasolstanderen.
- Fiksér standerrøret (nedre) **3** i parasolstanderen som beskrevet i parasolstanderproducentens instruktionsbog.

- Sørg for, at det sidder godt fast.
- Sæt parasollen **1** fast på standerrøret (nedre) **3** (se fig. A). Stik standerrøret (øvre) **2** ned i standerrøret (nedre) **3** (se fig. A).
- Hullet **5** skal her vendes mod trykknappen **4** (se fig. A).



KLEMNINGSFARE!

Pas på, at du ikke får hænderne i klemme.

- For at gøre montagen nemmere kan du trykke på trykknappen **4**, mens du skubber standerrøret (øvre) **2** ned i standerrøret (nedre) **3** (se fig. A).
- Kontrollér, at trykknappen **4** befinder sig i hullet **5**.
- Ved demontage skal du trykke på trykknappen **4** og løfte standerrøret (øvre) **2**, til forbindelsen er løsnet.

● Parasol slås op/lukkes

- For at slå parasollen op skal du skubbe håndtaget **6** opad, til parasollen er helt slået op (se fig. B).
- For at lukke parasollen skal du trække håndtaget **6** nedad, til parasollen er helt lukket.

● Rengøring og opbevaring

- Anvend ikke aggressive rengøringsmidler, børster med metal- eller nylonbørster samt ingen skarpe eller metalliske rengøringsgenstande som knive, hårde spatler og lignende. De kan beskadige overfladerne.
- Betrækket kan ikke vaskes.
- Til rengøring skal du kun anvende en tør, fnugfri klud. Ved genstridigt snavs kan du fugte kluden let.
- Forud for opbevaring skal alle dele være helt tørre.
- Om vinteren skal produktet opbevares på et køligt, tørt sted. Undgå at opbevare produktet i et opvarmet rum.

● Bortskaffelse



Vær opmærksom på mærkning af emballagematerialerne ved affaldssortering, de er mærket med forkortelser (a) og numre (b) med følgende betydning:

1–7: Plast
20–22: Papir og pap
80–98: Kompositmaterialer.



Oplysning om muligheder for bortskaffelse af det udtjente produkt kan fås hos forvaltningen i din kommune eller by.

Når produktet er udtjent, må det af hensyn til miljøet ikke smides i dagrenovationen, men skal afleveres på en fagligt korrekt genbrugsplads. Du kan på din ansvarlige forvaltning få oplysninger om genbrugspladser og deres åbningstider.

● Garanti

Kære kunde. På dette produkt får du 3 års garanti fra købsdato. I tilfælde af mangler ved dette produkt har du lovmæssige rettigheder mod sælgeren af produktet. Disse lovmæssige rettigheder begrænses ikke af vores garanti, som er forklaret i det følgende.

Garantibestemmelser

Garantiperioden starter ved købsdato. Du bedes opbevare den originale kvittering godt. Denne kvittering er dit bevis for købet. Hvis en materiale- eller fabrikationsfejl opstår inden for 3 år fra købsdatoen af dette produkt, repareres eller udskiftes produktet af os - efter vores valg - gratis for dig, eller købsprisen erstattes. Denne garantiydelse forudsætter, at det defekte produkt og købsbeviset (kvittering) fremlægges, og at det skriftligt kort beskrives, hvori fejlen består, og hvornår den er opstået. Hvis defekten er dækket af vores garanti, får du

det reparerede eller et nyt produkt retur. Ved reparation eller udskiftning af produktet påbegyndes ikke en ny garantiperiode.

Garantiperiode og lovmæssige mangelkrav

Garantiperioden forlænges ikke af garantiydelsen. Dette gælder også for udskiftede og reparerede dele. Skader og mangler, som eventuelt findes allerede ved købet, skal straks indberettes efter udpakning. Efter garantiperiodens udløb kan reparationer udføres mod beregning.

Garantidækning

Produktet er omhyggeligt fremstillet i henhold til strenge kvalitetsnormer og samvittighedsfuldt kontrolleret forud for levering. Garantidækningen gælder for materiale- eller fabriktionsfejl. Denne garanti dækker ikke produktdele, som er udsat for normal slitage og derfor kan anses for at være sliddele, eller beskadigelse af skrøbelige dele, f.eks. afbrydere, batterier, eller dele, som er fremstillet af glas. Denne garanti bortfalder, hvis produktet beskadiges, ikke anvendes eller vedligeholdes hensigtsmæssigt. Til en fagligt korrekt anvendelse af produktet skal alle anvisninger, som er anført i instruktionsbogen, nøje overholdes. Anvendelsesformål og handlinger, som frarådes i instruktionsbogen eller som advares imod, skal absolut undgås. Produktet er kun beregnet til privat brug og ikke til erhvervs-mæssig anvendelse. Ved misbrug og ukyndig behandling, anvendelse af vold og ved indgreb, som ikke er foretaget af vores autoriserede serviceafdeling, bortfalder garantien.

Behandling af garantisager

For at sikre en hurtig behandling af din sag bedes du følge dette **Henvisninger:**

- Du bedes ved alle forespørgsler holde kvittering og varenummer (f.eks. IAN

123456) klar som bevis for købet.

- Varenummeret kan ses på produktets typeskilt, en gravering på produktet, forsiden af din instruktionsbog (nederst til venstre) eller på mærkatens på produktets bag- eller underside.
- Hvis der skulle opstå funktionsfejl eller øvrige fejl, bedes du først og fremmest kontakte nedenstående serviceafdeling telefonisk eller pr. e-mail.
- Et som defekt registreret produkt kan du portofrit fremsende til den serviceadresse, som du har fået meddelt, og vedlægge købsbeviset (kvittering) med angivelse af, hvori fejlen består, og hvornår den er optrådt.

● Service



Service Danmark
Tlf.: 00800 80040044
E-mail: administration@mynetsend.de


IAN 400303_2107

Du bedes ved alle forespørgsler holde kvittering og varenummer (f.eks. IAN 123456) klar som bevis for købet.

Du kan se en aktuel version af instruktionsbogen på: www.citygate24.de

Sonnenschirm

● Einleitung

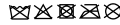
 Wir beglückwünschen Sie zum Kauf Ihres neuen Produkts. Sie haben sich damit für ein hochwertiges Produkt entschieden. Bitte lesen Sie diese Bedienungsanleitung vollständig und sorgfältig durch. Diese Anleitung gehört zu diesem Produkt und enthält wichtige Hinweise zur Inbetriebnahme und Handhabung. Beachten Sie immer alle Sicherheitshinweise. Sollten Sie Fragen haben oder unsicher in Bezug auf die Handhabung des Produkts sein, setzen Sie sich bitte mit Ihrem Händler oder der Servicestelle in Verbindung. Bewahren Sie diese Anleitung bitte sorgfältig auf und geben Sie sie ggf. an Dritte weiter.

● Zeichenerklärung

-  Bedienungsanleitung lesen!
-  Ausgabedatum der Bedienungsanleitung (Monat/Jahr)
-  Herstellungsdatum (Monat/Jahr)
-  Lebens- und Unfallgefahr für Kleinkinder und Kinder!
-  Warn- und Sicherheitshinweise beachten!
-  UV-Lichtschutzfaktor
-  Wasserabweisend
-  Schmutzabweisend
-  Sorgen Sie für ausreichend Abstand zwischen dem Produkt und Hindernissen
-  Nicht gewaltsam verstellen



Demontieren Sie das Produkt bei Wind



Nicht waschen!



Entsorgen Sie Verpackung und Produkt umweltgerecht!



Verpackung aus FSC-zertifiziertem Mix-Holz



Anschrift des Lieferanten

● Bestimmungsgemäße Verwendung

Dieses Produkt ist nur für den Einsatz in privaten Haushalten vorgesehen und für gewerbliche Zwecke nicht geeignet. Eine andere Verwendung als zuvor beschrieben oder eine Veränderung des Produkts ist nicht zulässig und kann zu Sachschäden oder sogar zu Personenschäden führen. Der Hersteller oder Händler übernimmt keine Haftung für Schäden, die durch nicht bestimmungsgemäßen oder falschen Gebrauch entstanden sind.

● Lieferumfang

- 1 x Sonnenschirm
- 1 x Bedienungsanleitung

● Teilebeschreibung

- 1 Sonnenschirm
- 2 Standrohr (oben)
- 3 Standrohr (unten)
- 4 Druckknopf
- 5 Bohrung
- 6 Griff

● Technische Daten

Modellnummer:	1061-G
Material (Speichen):	Stahl
Abmessungen (H x Ø):	235 x 260 cm
Durchmesser (unteres Standrohr):	38 mm
Gewicht (Polyesterbezug):	180 g/m ²
UV-Lichtschutzfaktor:	50+
Mindestgewicht des Schirmständers (nicht im Lieferumfang enthalten):	50 kg

● Sicherheitshinweise



Sicherheitshinweise



▲ WARNUNG!

LEBENS- UND UNFALLGEFAHR FÜR KLEINKINDER UND KINDER!

Lassen Sie Kinder niemals unbeaufsichtigt mit dem Verpackungsmaterial. Es besteht Erstickungsgefahr durch Verpackungsmaterial. Kinder unterschätzen häufig die Gefahren. Halten Sie Kinder stets vom Produkt fern.

- Dieses Produkt kann von Kindern ab 8 Jahren und darüber sowie von Personen mit verringerten physischen, sensorischen oder mentalen Fähigkeiten oder Mangel an Erfahrung und Wissen benutzt werden, wenn sie beaufsichtigt oder bezüglich des sicheren Gebrauchs des Produkts unterwiesen wurden und die daraus resultierenden Gefahren verstehen. Kinder dürfen nicht mit dem Produkt spielen. Reinigung und Benutzerwartung dürfen nicht von Kindern ohne Beaufsichtigung durchgeführt werden.
- Halten Sie Kinder während der Montage vom Arbeitsbereich fern. Zum Lieferumfang gehört eine Vielzahl von Schrauben sowie

andere Kleinteile. Diese können beim Verschlucken oder Inhalieren lebensgefährlich sein.

- Das Produkt ist kein Kinderspielzeug!
- Achten Sie darauf, dass sich Kinder nicht unbeaufsichtigt in der Nähe des Produktes aufhalten.
- Verwenden Sie das Produkt nicht, wenn Sie irgendwelche Beschädigungen feststellen.
- Der Hersteller/Vertreiber dieses Produkts übernimmt keine Verantwortung für Verletzungen oder Schäden, die als Folge unsachgemäßer Montage/unsachgemäßen Gebrauchs entstehen.
- Manipulieren oder verändern Sie niemals das Produkt. Schweißen Sie keine externe Stangen an das Produkt und bringen Sie keine elektrischen Geräte am Produkt und den Einzelteilen an.



VERLETZUNGSGEFAHR!

Unsachgemäßer Umgang mit dem Produkt sowie fehlerhafte Montage können zu Verletzungen führen.

- Verwenden Sie das Produkt nicht mehr, wenn sich Schraubverbindungen gelockert haben oder die Metall- oder Kunststoffteile des Produkts Verformungen, Risse oder andere Beschädigungen aufweisen.
- Kunststoff und Metall reagieren auf Belastungen und Temperatureinflüsse, indem sie sich ausdehnen und zusammenziehen. Prüfen Sie regelmäßig alle Schraubverbindungen und ziehen Sie sie ggf. nach.
- Hängen Sie sich nicht an das Produkt und ziehen Sie sich nicht daran hoch.
- Das Produkt kann Ihre Haut vor direkter UV-Strahlung, aber nicht vor reflektierenden Sonnenstrahlen schützen. Verwenden Sie zusätzlichen Sonnenschutz.
- Achten Sie bei der Montage und bei der Verwendung des Produkts darauf, dass Sie Ihre Finger nicht quetschen.
- Achten Sie beim Aufstellen des Produkts auf eine ebene und stabile Oberfläche.

- Das Produkt nicht auf sandigem, lehmigem Boden oder auf loser Erde aufstellen.
- Lassen Sie das Produkt während der Verwendung nicht unbeaufsichtigt.



BESCHÄDIGUNGSGEFAHR!

Unsachgemäßer Umgang mit dem Produkt kann zu Beschädigungen des Produkts führen.

- Verwenden Sie zur Reinigung keinen Dampfreiniger.
- Verwenden Sie das Produkt nicht mehr, wenn die Bauteile des Produkts Risse oder Sprünge haben oder sich verformt haben. Ersetzen Sie beschädigte Bauteile nur durch passende Originalersatzteile.
- Verwenden Sie einen für das Produkt geeigneten Schirmständer.

Hinweis: Beachten Sie hierbei die Angaben des Schirmständerherstellers.
- Demontieren Sie das Produkt bei aufkommendem Wind oder Gewitter.
- Demontieren Sie das Produkt bei Regen oder Schnee, um es vor übermäßiger Beanspruchung zu schützen.
- Hängen Sie keine Gegenstände am Produkt auf.
- Verwenden Sie das Produkt nur mit ausreichender Ballastierung.
- Entfachen Sie niemals offenes Feuer in der Nähe oder unterhalb des Produktes. Halten Sie das Produkt von Hitzequellen fern.

● **Montage**

Hinweis: Nehmen Sie das Produkt aus der Verpackung und entfernen Sie sämtliche Verpackungsmaterialien.

- Prüfen Sie, ob die Lieferung vollständig ist.
- Prüfen Sie, ob das Produkt oder die Einzelteile Schäden aufweisen. Ist dies der Fall, benutzen Sie das Produkt nicht. Wenden Sie sich über die angegebene Serviceadresse an den Inverkehrbringer.



VERLETZUNGSGEFAHR!

Unsachgemäßer Umgang mit dem Produkt kann zu Beschädigungen des Produkts führen.

- Stellen Sie das Produkt nie ohne geeigneten Schirmständer auf.
- Das Mindestgewicht für den Schirmständer muss 50 kg betragen.
- Das Produkt nicht auf sandigem, lehmigem Boden oder auf loser Erde aufstellen.
- Stellen Sie einen geeigneten Schirmständer (nicht im Lieferumfang enthalten) an die gewünschte Position.
- Achten Sie darauf, dass das untere Ende des Standrohrs (unten) **3** mindestens 40 cm tief in den Schirmständer hineinragt.
- Fixieren Sie das Standrohr (unten) **3** im Schirmständer, wie in der Bedienungsanleitung des Schirmständerherstellers beschrieben.
- Achten Sie auf einen festen Sitz.
- Befestigen Sie den Sonnenschirm **1** auf dem Standrohr (unten) **3** (siehe Abb. A). Stecken Sie das Standrohr (oben) **2** über das Standrohr (unten) **3** (siehe Abb. A).
- Richten Sie hierzu die Bohrung **5** nach dem Druckknopf **4** aus (siehe Abb. A).


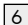


QUETSCHGEFAHR!

Achten Sie darauf, dass Sie Ihre Hände nicht quetschen.

- Für die einfache Montage, drücken Sie auf den Druckknopf **4**, während Sie das Standrohr (oben) **2** über das Standrohr (unten) **3** schieben (siehe Abb. A).
- Stellen Sie sicher, dass sich der Druckknopf **4** in der Bohrung **5** befindet.
- Für die Demontage drücken Sie auf den Druckknopf **4** und heben Sie das Standrohr (oben) **2** an, bis die Verbindung gelöst ist.

● Sonnenschirm öffnen/ schließen

- Zum Öffnen des Sonnenschirms schieben Sie den Griff  nach oben, bis der Sonnenschirm vollständig geöffnet ist (siehe Abb. B).
- Zum Schließen des Sonnenschirms ziehen Sie den Griff  nach unten, bis der Sonnenschirm vollständig geschlossen ist.

● Reinigung und Lagerung

- Verwenden Sie keine aggressiven Reinigungsmittel, Bürsten mit Metall- oder Nylonborsten sowie keine scharfen oder metallischen Reinigungsgegenstände, wie Messer, harte Spachtel und dergleichen. Diese können die Oberflächen beschädigen.
- Der Bezug ist nicht waschbar.
- Verwenden Sie zur Reinigung nur ein trockenes, fusselfreies Tuch. Bei stärkeren Verschmutzungen feuchten Sie das Tuch leicht an.
- Alle Teile müssen vor dem Aufbewahren vollkommen trocken sein
- Lagern Sie das Produkt im Winter an einem kühlen, trockenen Ort. Vermeiden Sie, das Produkt in einem beheizten Raum zu lagern.

● Entsorgung



Beachten Sie die Kennzeichnung der Verpackungsmaterialien bei der Abfalltrennung, diese sind gekennzeichnet mit Abkürzungen (a) und Nummern (b) mit folgender Bedeutung:

- 1–7: Kunststoffe
- 20–22: Papier und Pappe
- 80–98: Verbundstoffe



Möglichkeiten zur Entsorgung des ausgedienten Produkts erfahren Sie bei Ihrer Gemeinde- oder Stadtverwaltung.

Werfen Sie Ihr Produkt, wenn es ausgedient hat, im Interesse des Umweltschutzes nicht in den Hausmüll, sondern führen Sie es einer fachgerechten Entsorgung zu. Über Sammelstellen und deren Öffnungszeiten können Sie sich bei Ihrer zuständigen Verwaltung informieren.

● Garantie

Sehr geehrte Kundin, sehr geehrter Kunde, Sie erhalten auf dieses Gerät 3 Jahre Garantie ab Kaufdatum. Im Falle von Produktmängeln stehen Ihnen gegenüber dem Verkäufer des Produkts gesetzliche Rechte zu. Diese gesetzlichen Rechte werden durch unsere im Folgenden dargestellten Garantiebedingungen nicht eingeschränkt.

Garantiebedingungen

Die Garantiefrist beginnt mit dem Kaufdatum. Bitte bewahren Sie den Original Kassenbon gut auf. Dieser wird als Nachweis für den Kauf benötigt. Tritt innerhalb von drei Jahren ab dem Kaufdatum dieses Produkts ein Material- oder Fabrikationsfehler auf, wird das Produkt von uns – nach unserer Wahl – für Sie kostenlos repariert, ersetzt, oder der Kaufpreis erstattet. Diese Garantieleistung setzt voraus, dass innerhalb der Drei-Jahres-Frist das defekte Gerät und der Kaufbeleg (Kassenbon) vorgelegt und schriftlich kurz beschrieben wird, worin der Mangel besteht und wann er aufgetreten ist. Wenn der Defekt durch unsere Garantie gedeckt wird, erhalten Sie das reparierte oder ein neues Produkt zurück. Mit Reparatur oder Austausch des Produkts beginnt kein neuer Garantiezeitraum.

Garantiezeit und gesetzliche Mängelansprüche

Die Garantiezeit wird durch die Gewährleistung nicht verlängert. Dies gilt

auch für ersetzte und reparierte Teile. Eventuell schon beim Kauf vorhandene Schäden und Mängel müssen sofort nach dem Auspacken gemeldet werden. Nach Ablauf der Garantiezeit anfallende Reparaturen sind kostenpflichtig.

Garantieumfang

Das Gerät wurde nach strengen Qualitätsrichtlinien sorgfältig produziert und vor Anlieferung gewissenhaft geprüft. Die Garantieleistung gilt für Material- oder Fabrikationsfehler. Diese Garantie erstreckt sich nicht auf Produktteile, die normaler Abnutzung ausgesetzt sind und daher als Verschleißteile angesehen werden können oder auf Beschädigungen an zerbrechlichen Teilen, z. B. Schalter, Akkus oder aus Glas gefertigte Teile. Diese Garantie verfällt, wenn das Produkt beschädigt, nicht sachgemäß benutzt oder gewartet wurde. Für eine sachgemäße Benutzung des Produkts sind alle in der Bedienungsanleitung aufgeführten Anweisungen genau einzuhalten. Verwendungszwecke und Handlungen, von denen in der Bedienungsanleitung abgeraten oder vor denen gewarnt wird, sind unbedingt zu vermeiden. Das Produkt ist lediglich für den privaten und nicht für den gewerblichen Gebrauch bestimmt. Bei missbräuchlicher und unsachgemäßer Behandlung, Gewaltanwendung und bei Eingriffen, die nicht von unserer autorisierten Service-Niederlassung vorgenommen wurden, erlischt die Garantie.

Abwicklung im Garantiefall

Um eine schnelle Bearbeitung Ihres Anliegens zu gewährleisten, folgen Sie bitte den folgenden **Hinweisen**:

- Bitte halten Sie für alle Anfragen den Kassenbon und die Artikelnummer (z. B. IAN 123456) als Nachweis für den Kauf bereit.
- Die Artikelnummer entnehmen Sie bitte dem Typenschild am Produkt, einer Gravur am

Produkt, dem Titelblatt Ihrer Anleitung (unten links) oder dem Aufkleber auf der Rück- oder Unterseite des Produktes.

- Sollten Funktionsfehler oder sonstige Mängel auftreten, kontaktieren Sie zunächst die nachfolgend benannte Service-Abteilung telefonisch oder per E-Mail.
- Ein als defekt erfasstes Produkt können Sie dann unter Beifügung des Kaufbelegs (Kassenbon) und der Angabe, worin der Mangel besteht und wann er aufgetreten ist, für Sie portofrei an die Ihnen mitgeteilte Service-Anschrift übersenden.

● Service

DE

Service Deutschland
Tel.: 00800 80040044
E-Mail: administration@mynetsend.de

AT

Service Österreich
Tel.: 00800 80040044
E-Mail: administration@mynetsend.de

CH

Service Schweiz
Tel.: 00800 80040044
E-Mail: administration@mynetsend.de

IAN 400303_2107


Bitte halten Sie für alle Anfragen den Kassenbon und die Artikelnummer (z. B. IAN 123456) als Nachweis für den Kauf bereit.


Eine aktuelle Version der Bedienungsanleitung finden Sie unter: www.citygate24.de



citygate24 GmbH

Lange Mühren 1
20095 Hamburg
GERMANY

 12/2021
Model No.: 1061-G

 04/2022

IAN 400303_2107

6 